

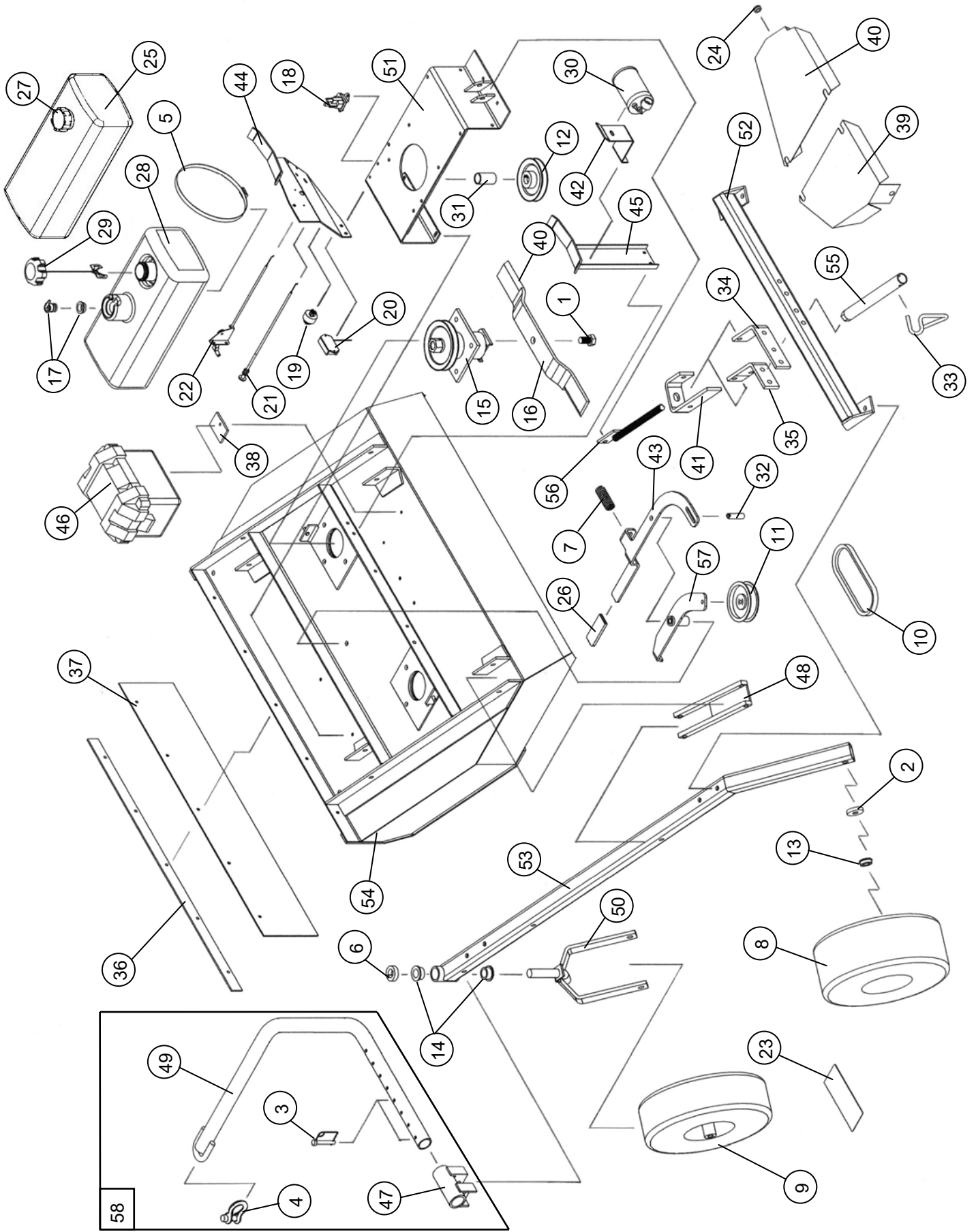
MODELS MR44B, MR44K, MR44V & MR44BC

(See drawings below for additional parts)

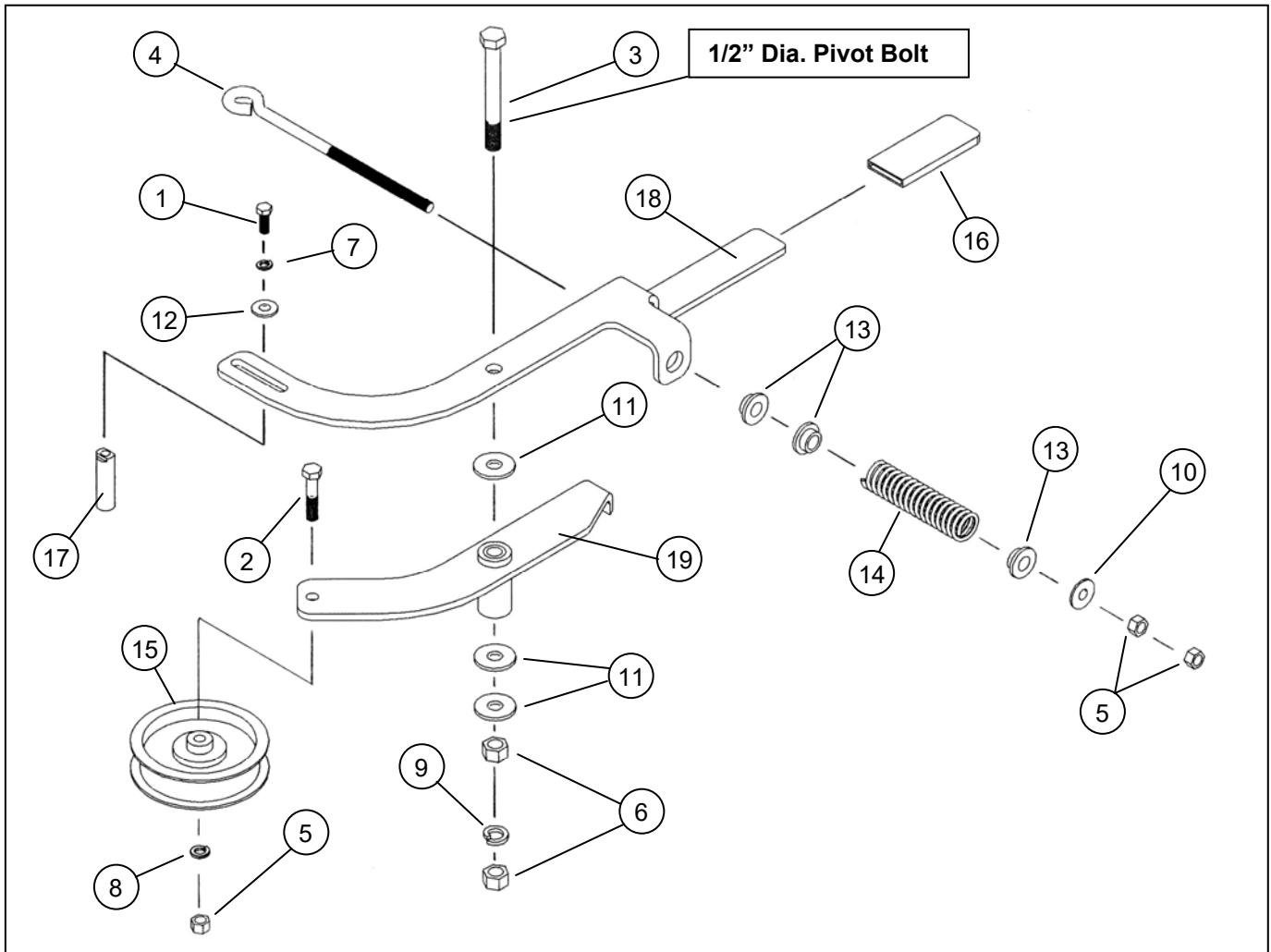
<u>Item</u>	<u>Part #</u>	<u>Description</u>	<u>Cost</u>
1	202141	Blade Bolt (3/4"-16NF x 1-1/4")	\$2.40
2	214021	Cup Washer (For Smaller 1-3/8" O.D. Bearing)	\$1.23
2	214030	Cup Washer (For Larger 2" O.D. Bearing)	\$1.23
3	216002	Wire Lock Pin, .31" x 2.50"	\$5.97
4	216009	Screw Pin Shackle Clevis	\$10.50
5	222005	Worm Drive Hose Clamp (7-7/8" to 9-1/8" Clamping Dia.)	\$8.04
6	222012	Single Split Collar (1" I.D. x 1/2: Thick)	\$3.42
7	225005	Compression Spring, 4.50" Long x 1-3/32" O.D. x .125" Wire dia. (Clutch Drawing Below)	\$4.50
8	226012	Offset Wheel Assy. (15/600 x 6, 4 Ply Turf) (See Wheel Assy. Drawing Below)	~
9	226013	Centered Wheel Assy. (5.30/4.50 x 6, 4 Ply Stud) (See Wheel Assy. Drawing Below)	~
10	238007	"V" Belt B74K 77" O.C.	\$42.18
11	241001	Flat Idler, 4" O.D. x 3/8" Hole	\$15.63
12	241010	"V" Sheave, 5" Dia. 1" Bore	\$47.76
13	243007	Precision Sealed Wheel Bearings (1-3/8" O.D. x 5/8" I.D.)	\$3.45
13	243015	Precision Sealed Wheel Bearings (2" O.D. x 1" I.D.)	\$6.54
14	243010	Plastic Bearing (1-3/8" O.D. x 1.00" I.D., Flange, Nylon)	\$0.90
15	258023	Spindle Assy. (See Spindle Drawing Below)	~
16	259008	Offset Mower Blade, 2-1/2" Wide, 23" Long, 3/4" Hole	\$28.83
17	260004	Roll-Over / Fuel Vapor Valve (Includes Gromet)	\$7.44
18	264000	Solenoid	\$40.35
19	264001	Ignition Switch (MR44K)	\$16.02
19	264010	Ignition Switch (MR44B, MR44V & MR44BC)	\$13.44
20	264003	Hour/Tack Meter (Optional)	\$66.69
21	269000	Choke Control, 20" (MR44B)	\$7.50
21	269004	Choke Control, 14" (MR44K)	\$7.02
21	269010	Choke Control, 27" (MR44V & MR44BC)	\$8.76
22	269001	Throttle Control, 15" (MR44B & MR44K)	\$12.30
22	269009	Throttle Control, 27" (MR44V & MR44BC)	\$13.35
23	275001	Control Panel Decal, Starting Instructions	\$2.97
23	275002	Warning Decal General	\$1.53
23	275003	Danger Decal, Cut Finger	\$0.91
23	275007	Warning Decal, Belt Sheild	\$0.98
23	275011	Clutch Engagement Decal	\$0.96
23	275019	Name Decal, Kunz	\$1.86
23	275021	Name Decal, AcrEase	\$1.98
23	275024	Name Decal, 44" Rough Cut	\$1.59
24	277002	Rubber Gromet	\$0.29
25	277010	Fuel Tank, 3-3/4 Gal. Plastic (Replace with 277034 and Use 277013)	~
	277041	Fuel Tank Grommet (Bottom Petcock Location)	\$4.50
26	277011	Handle Grip	\$1.08
27	277013	Gas Cap - Venting Style (For Fuel Tank 277010 and with Fuel Tank 277035 Without Vent Hose)	\$18.81
28	277034	Fuel Tank, 3 Gal. (Replaces Fuel Tank 277010)	\$183.39
		<i>Note: Fuel Tank 277034 is an EPA Certified Component . Only Replace with Fuel Tank 277034.</i>	
	277041	Fuel Tank Grommet (Bottom Petcock Location)	\$4.50
28	277040	Fuel Tank, 3 Gal. , 3-Layer (Used on 2013 Models and Newer)	\$230.67
		<i>Note: Fuel Tank 277040 is an EPA Certified Component . Only Replace with Fuel Tank 277040.</i>	
	277041	Fuel Tank Grommet (Bottom Petcock Location)	\$4.50
29	277035	Gas Cap - Audible Click/Tethered, Non-Venting (Only Use with Fuel Tanks with Vent Hose)	\$16.95
		<i>Note: Gas Cap 277035 is an EPA Certified Component . Only Replace with Gas Cap 277035.</i>	
30	277036	Carbon Canister - 300cc (California Only)	\$36.00
		<i>Note: Canister 277036 is an EPA Certified Component . Only Replace with Canister 277036.</i>	
31	600071	Spacer, 1.38" O.D. x 1.33" Wall x 2.19" Long	\$4.07

<u>Item</u>	<u>Part #</u>	<u>Description</u>	<u>Cost</u>
32	600136	Brake Stud	\$3.57
33	600146	Crank Arm (Includes Press-on Nut)	\$3.99
34	600185	Top Long Support	\$10.23
35	600186	Top Short Support	\$8.97
36	600252	Flap Retainer Strip	\$11.61
37	600253	Safety Belting	\$30.33
38	600254	Battery Box Spacer	\$3.00
39	600264	Belt Sheild, Left	\$14.67
40	600265	Belt Sheild, Right	\$15.60
41	600268	Height Adjust Support	\$12.69
42	600291	Canister Support (California Only)	\$6.87
43	600292	Clutch Arm (Replaces 900151) (Clutch Drawing Below)	\$14.79
44	600305	Control Panel (Replaces 900023)	\$19.47
45	600306	Tank Support (Replaces 900079)	\$13.29
46	900049	Battery Box Assy.	\$41.91
	264004	Battery (12V AGM Sealed)	\$64.36
47	900058	Hitch Pivot	\$39.15
48	900061	Pivot Arm	\$18.78
49	900082	Tongue	\$66.60
50	900148	Caster Fork (Includes 1" Washers) (Replaces Caster Fork 900073, Also Requires 222012)	\$39.21
51	900150	Engine Support Bracket	\$87.12
52	900154	Upper Actuator Mount	\$77.67
53	900155	Carrier Arm	\$112.74
54	900156	Mower Deck (Call to Order)	~
55	900157	Height Adjust Nut	\$14.01
56	900158	Screw Adjuster	\$21.96
57	900180	Idler Arm Assy. (Includes Bronze Bearings) (Replaces 900153) (Clutch Drawing Below)	\$23.67
	243005	Bronze Bearing, 1/2" I.D. x 3/4" O.D. x 3/4" Long (Requires 2)	\$1.80
57	900192	Idler Arm Assy. (Includes Bronze Bearings) (With 5/8" Bore) (Clutch Drawing Below)	\$23.67
	243016	Bronze Bearing, 5/8" I.D. x 3/4" O.D. x 3/4" Long (Requires 2)	\$1.80
58	900083	ATV Tongue Assy. (Includes all Mounting Hardware and Pins)	\$110.00

PARTS DRAWING FOR MODELS MR44B, MR44K & MR44V

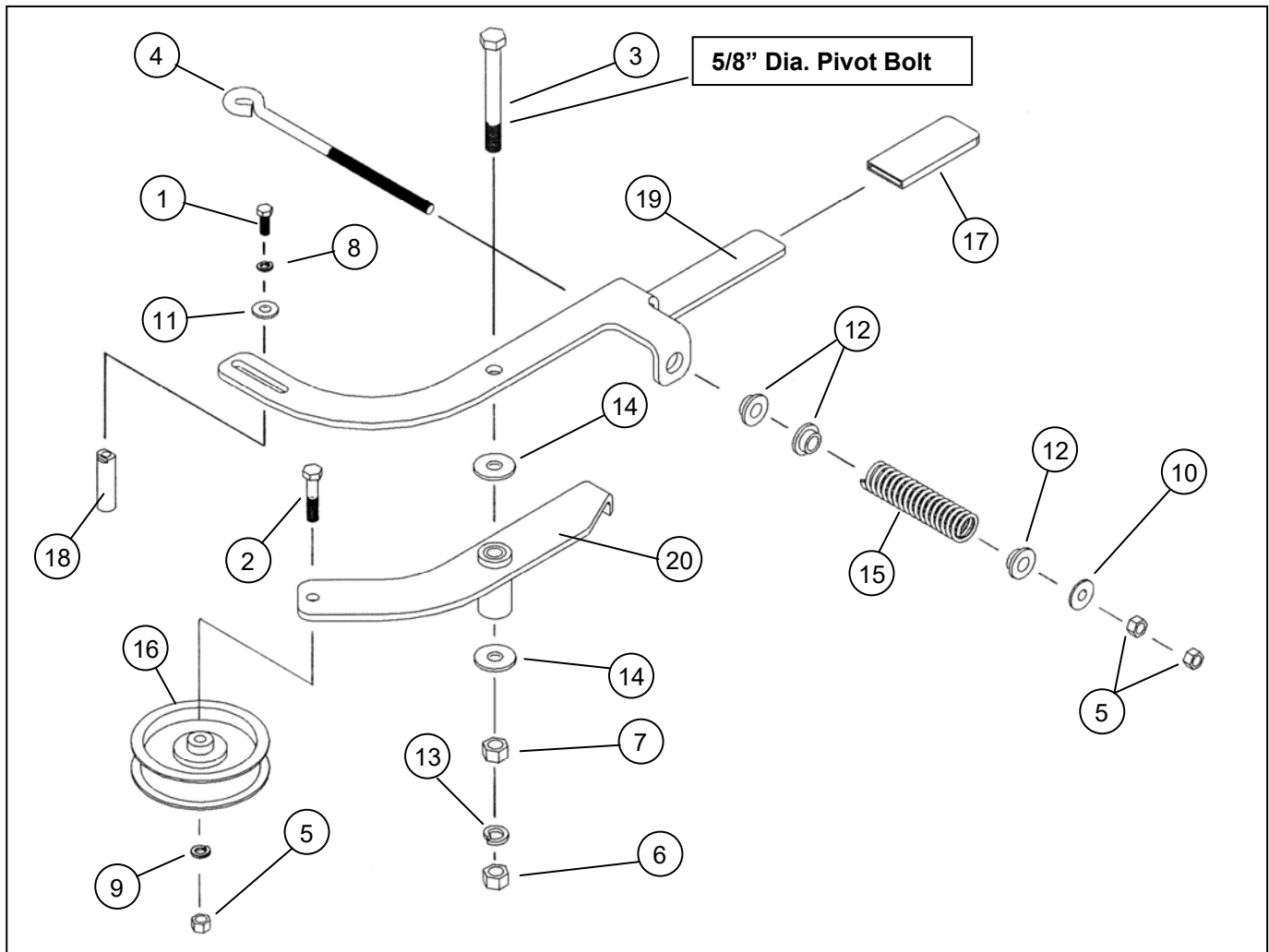


CLUTCH BLADE ENGAGEMENT PARTS (1/2" DIA. PIVOT BOLT)



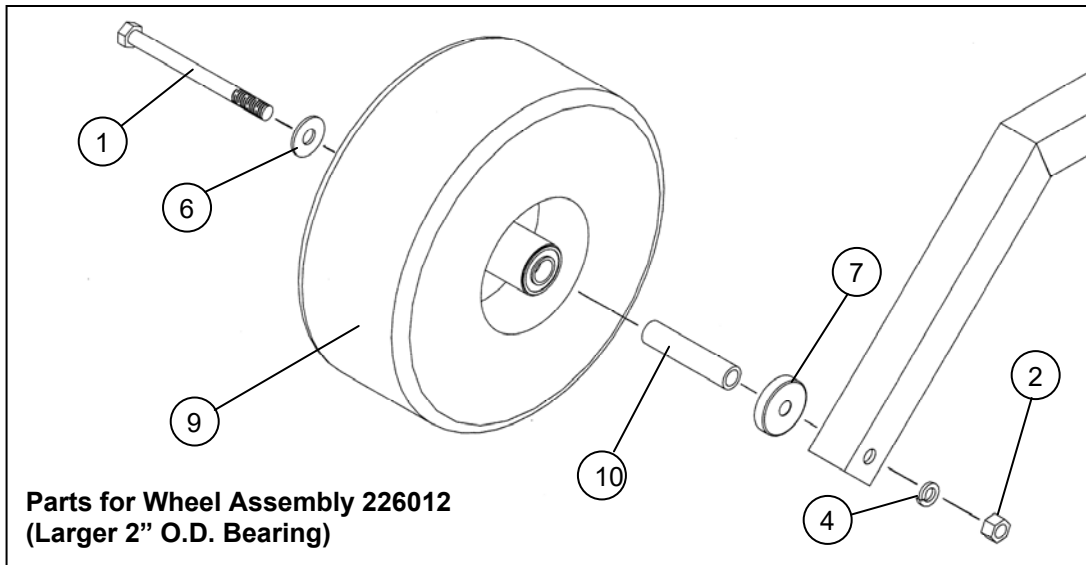
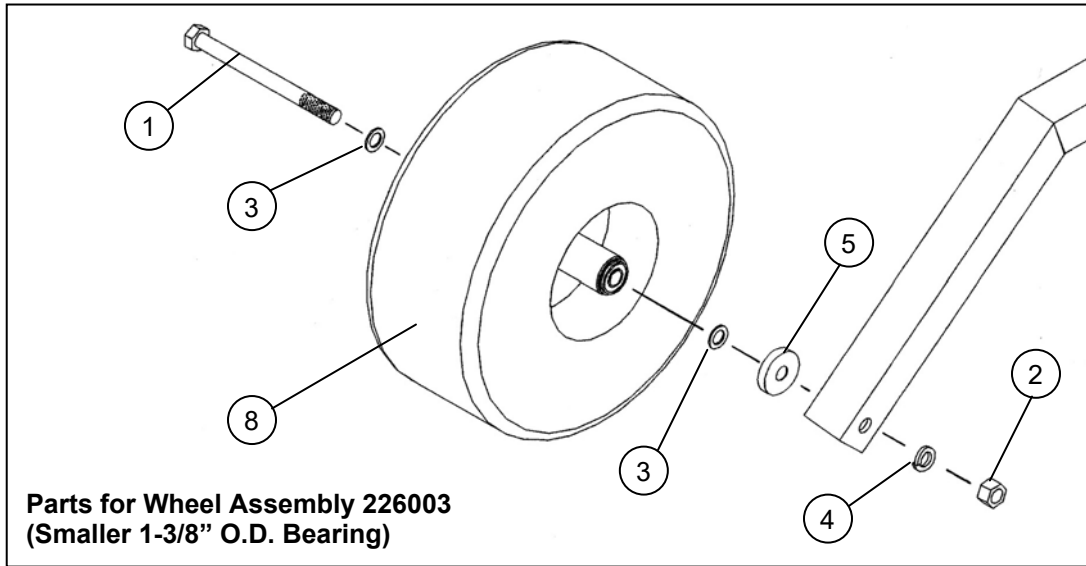
Item	Part #	Description	Cost
1	202019	Hex Head Bolt 5/16" x 3/4" Long	\$0.09
2	202041	Hex Head Bolt 3/8" x 1-3/4" Long	\$0.18
3	202150	Hex Head Bolt 1/2" x 4-1/4" Long	\$1.23
4	204016	Eye Bolt 3/8" x 8" Usable Length	\$3.87
5	212002	Hex Nut 3/8"	\$0.06
6	212003	Hex Nut 1/2"	\$0.12
7	214001	Lock Washer 5/16"	\$0.03
8	214002	Lock Washer 3/8"	\$0.03
9	214003	Lock Washer 1/2"	\$0.09
10	214005	Standard Flat Washer 3/8"	\$0.06
11	214006	Standard Flat Washer 1/2"	\$0.09
12	214017	Standard Flat Washer 5/16"	\$0.03
13	214027	Shoulder Washer - Nylon	\$0.30
14	225005	Compression Spring, 4.50" Long x 1-3/32" O.D. x .125" Wire dia.	\$4.50
15	241001	Flat Idler, 4" O.D. x 3/8" Hole (Replaced with Steel)	\$15.63
16	277011	Handle Grip	\$1.08
17	600136	Brake Stud	\$3.57
18	600292	Clutch Arm (Replaces 900151)	\$14.79
19	900180	Idler Arm Assy. (Includes Bronze Bearings) (Replaces 900153)	\$23.67
	243005	Bronze Bearing, 1/2" I.D. x 3/4" O.D. x .75" Long (Requires 2)	\$1.80

CLUTCH BLADE ENGAGEMENT PARTS (5/8" DIA. PIVOT BOLT)



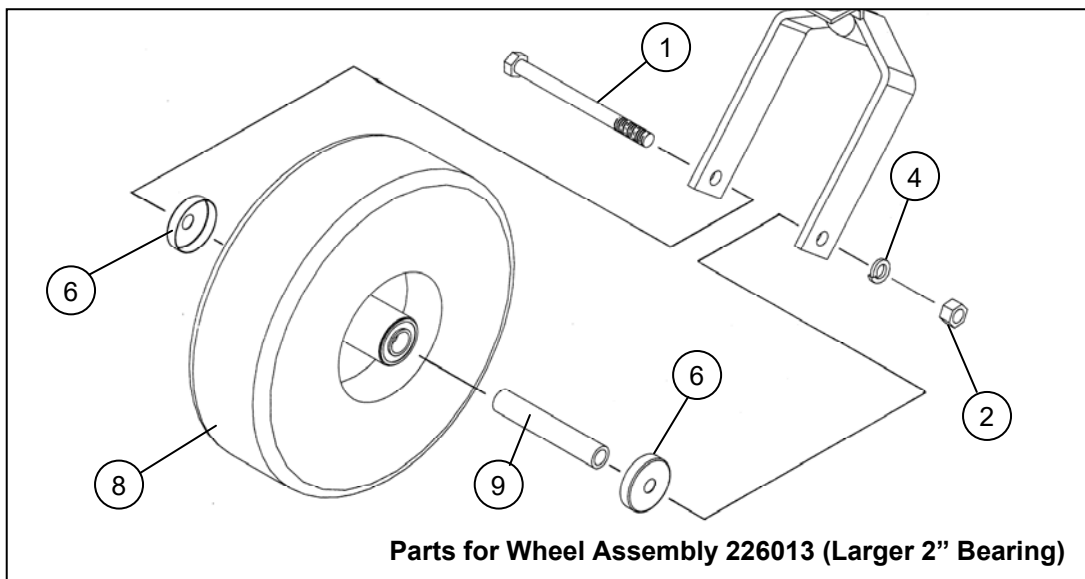
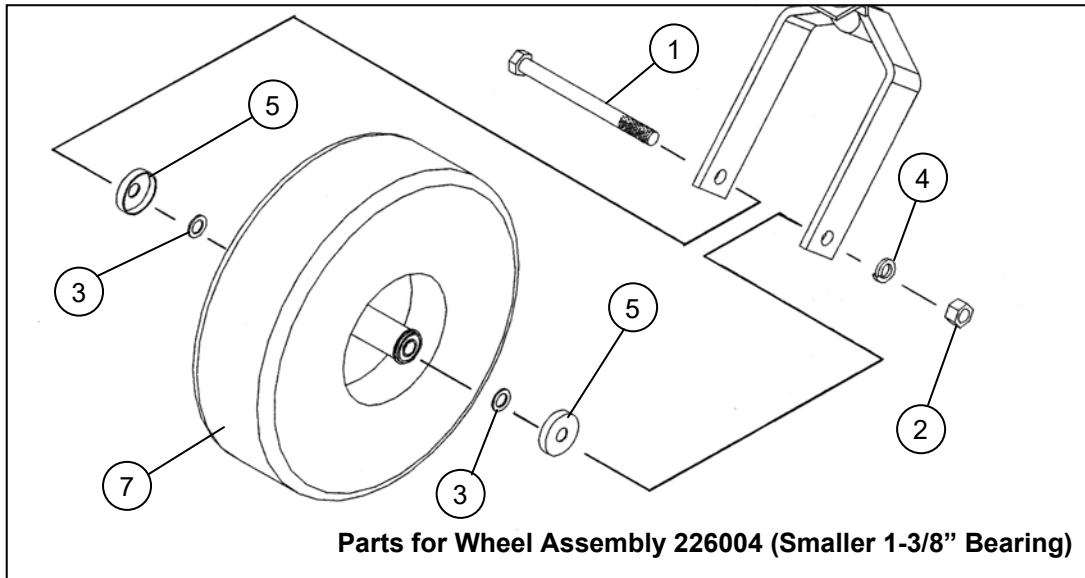
<u>Item</u>	<u>Part #</u>	<u>Description</u>	<u>Cost</u>
1	202019	Hex Head Bolt 5/16" x 3/4" Long	\$0.09
2	202041	Hex Head Bolt 3/8" x 1-3/4" Long	\$0.18
3	202151	Hex Head Bolt 5/8" x 4-1/2" Long	\$1.35
4	204016	Eye Bolt 3/8" x 8" Usable Length	\$3.87
5	212002	Hex Nut 3/8"	\$0.06
6	212013	Hex Nut 5/8"	\$0.21
7	212021	Hex Jam Nut 5/8"	\$0.18
8	214001	Lock Washer 5/16"	\$0.03
9	214002	Lock Washer 3/8"	\$0.03
10	214005	Standard Flat Washer 3/8"	\$0.06
11	214017	Standard Flat Washer 5/16"	\$0.03
12	214027	Shoulder Washer - Nylon	\$0.30
13	214020	Lock Washer 5/8"	\$0.15
14	214029	Standard Flat Washer 5/8"	\$0.21
15	225005	Compression Spring, 4.50" Long x 1-3/32" O.D. x .125" Wire dia.	\$4.50
16	241001	Flat Idler, 4" O.D. x 3/8" Hole (Replaced with Steel)	\$15.63
17	277011	Handle Grip	\$1.08
18	600136	Brake Stud	\$3.57
19	600292	Clutch Arm (Replaces 900151)	\$14.79
20	900192	Idler Arm Assy. (Includes Bronze Bearings) (5/8" Bore)	\$23.67
	243016	Bronze Bearing, 5/8" I.D. x 3/4" O.D. x .75" Long (Requires 2)	\$1.80

REAR WHEEL ASSEMBLIES AND MOUNTING PARTS



Item	Part #	Description	Cost
1	202140	Hex Head Bolt 5/8" x 7.5"	\$5.04
2	212013	Hex Nut - 5/8"	\$0.21
3	214018	Machinery Washer 5/8" I.D. x 1" O.D.	\$0.12
4	214020	Lock Washer - 5/8"	\$0.15
5	214021	Cup Washer (For Smaller Bearing)	\$1.23
6	214029	Standard Flat Washer - 5/8"	\$0.21
7	214030	Cup Washer (For Larger Bearing)	\$1.23
8	226003	Offset Wheel Assy. (15/600 x 6, 4 Ply Turf) (Replace with 226012)	~
	226006	Tire - Replacement (15/600 x 6, 4 Ply Turf)	\$40.64
	243007	Precision Sealed Wheel Bearings (1-3/8" O.D. x 5/8" I.D.)	\$3.45
		<i>Note: See the Miscellaneous Parts Section Below for Flatproof Tire Options.</i>	
	600301	Wheel Bearing Spacer (Used on 226003 & 226008)	\$4.42
9	226012	Offset Wheel Assy. (15/600 x 6, 4 Ply Turf) (Includes Tire, Rim, Bearing & Spanner Tube)	\$89.25
	226006	Tire - Replacement (15/600 x 6, 4 Ply Turf)	\$40.64
	243015	Precision Sealed Wheel Bearings (2" O.D. x 1" I.D.)	\$6.54
		<i>Note: See the Miscellaneous Parts Section Below for Flatproof Tire Options.</i>	
10	600308	Spanner Tube	\$4.56

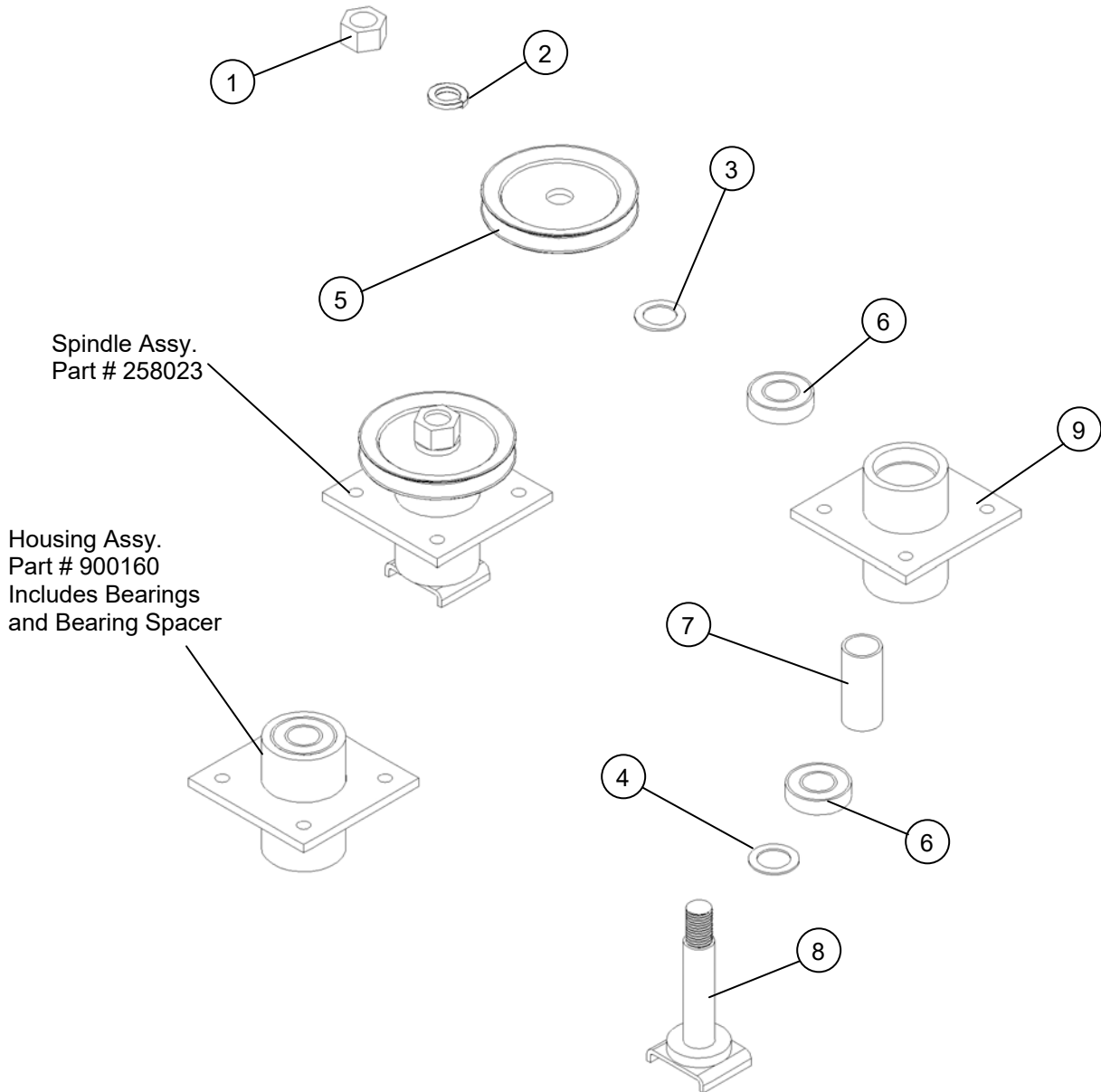
FRONT WHEEL ASSEMBLIES AND MOUNTING PARTS



Item	Part #	Description	Cost
1	202140	Hex Head Bolt 5/8" x 7.5"	\$5.04
2	212013	Hex Nut - 5/8"	\$0.21
3	214018	Machinery Washer 5/8" I.D. x 1" O.D.	\$0.12
4	214020	Lock Washer - 5/8"	\$0.15
5	214021	Cup Washer (For Smaller Bearing)	\$1.23
6	214030	Cup Washer (For Larger Bearing)	\$1.23
7	226004	Centered Wheel Assy. (5.30/4.50 x 6, 4 Ply Stud) (Replace with 226013)	~
	226005	Tire - Replacement (5.30/4.50 x 6, 4 Ply Stud)	\$47.70
	243007	Precision Sealed Wheel Bearings (1-3/8" O.D. x 5/8" I.D.)	\$3.45
		<i>Note: See the Miscellaneous Parts Section Below for Flatproof Tire Options.</i>	
	600302	Wheel Bearing Spacer (Used on 226004 & 226009)	\$4.51
8	226013	Centered Wheel Assy. (5.30/4.50 x 6, 4 Ply Stud) (Includes Tire, Rim, Bearings & Spanner Tube)	\$108.09
	226005	Tire - Replacement (5.30/4.50 x 6, 4 Ply Stud)	\$47.70
	243015	Precision Sealed Wheel Bearings (2" O.D. x 1" I.D.)	\$6.54
		<i>Note: See the Miscellaneous Parts Section Below for Flatproof Tire Options.</i>	
9	600309	Spanner Tube	\$5.49

PARTS BREAKDOWN FOR ROUGH CUT SPINDLE ASSY.

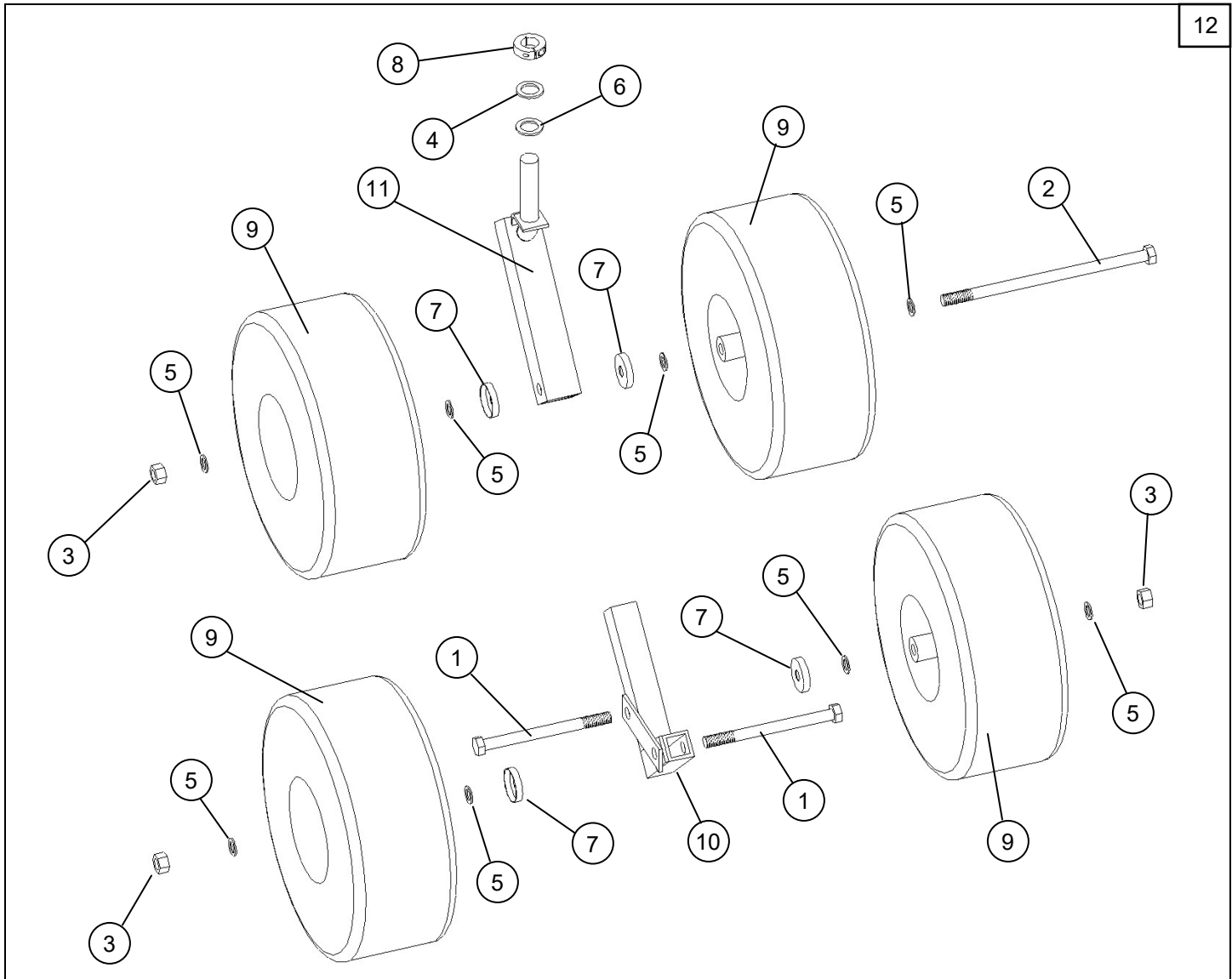
(PART # 258023)



<u>Item</u>	<u>Part #</u>	<u>Description</u>	<u>Cost</u>
1	212009	Std. Hex Nut 1.00" - 14NF	\$2.31
2	214013	Split Lock Washer 1.00"	\$0.60
3	214014	Machinery Washer 1.00" I.D. x 18 GA Thick	\$0.21
4	214023	Machinery Washer 1.25" I.D. x 14 GA Thick	\$0.51
5	241011	"V" Sheave 5.56" Dia. - 25 mm Bore	\$37.29
6	243006	Bearing 6206 - 2RST	\$13.18
7	600271	Bearing Spacer	\$10.95
8	900075	Spindle Shaft	\$41.19
9	900159	Spindle Hub (Not Sold Separately, Purchase 900160)	~
	900160	Replacement Housing Assy.	\$112.26
	258023	Replacement Spindle Assy.	\$189.45

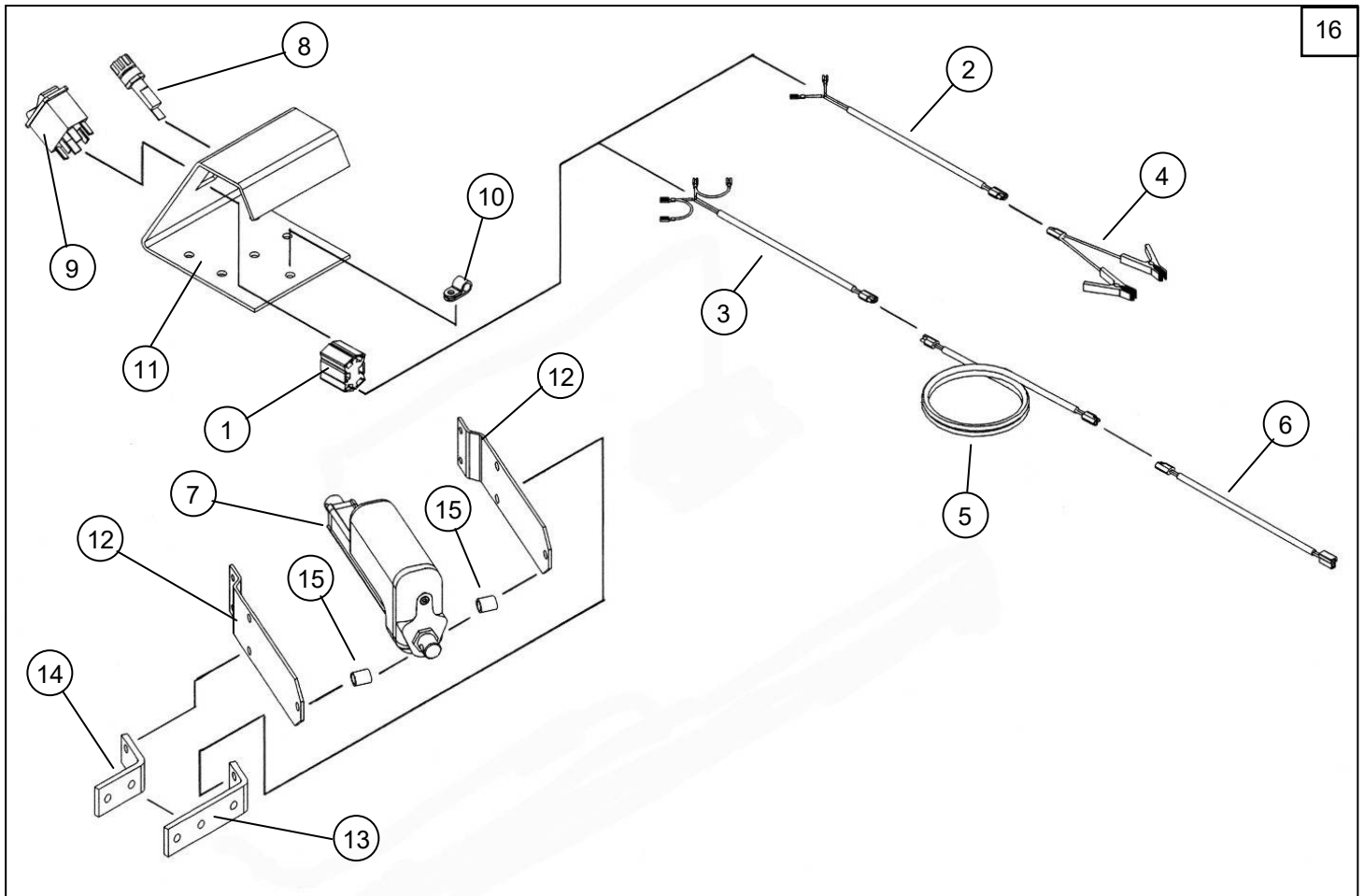
OPTIONAL WETLANDS KIT - (PART # 003905)

12



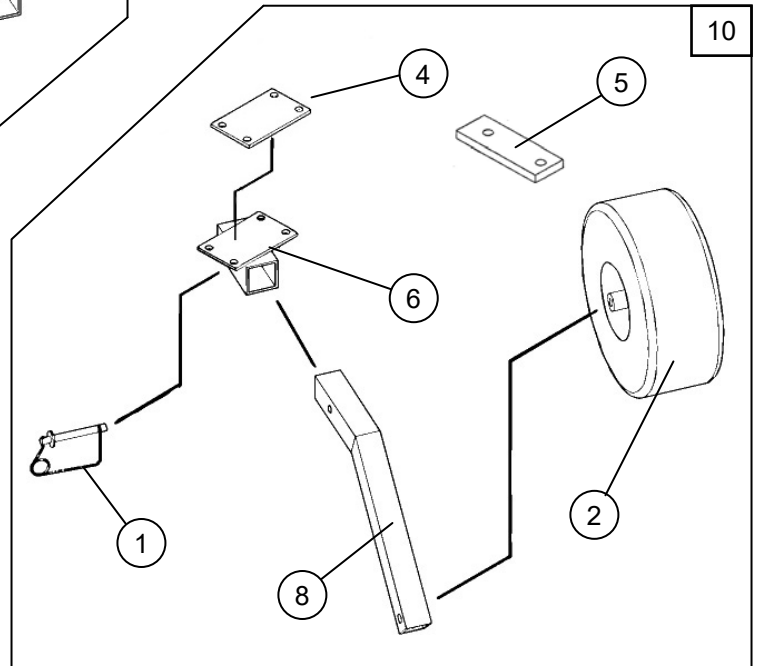
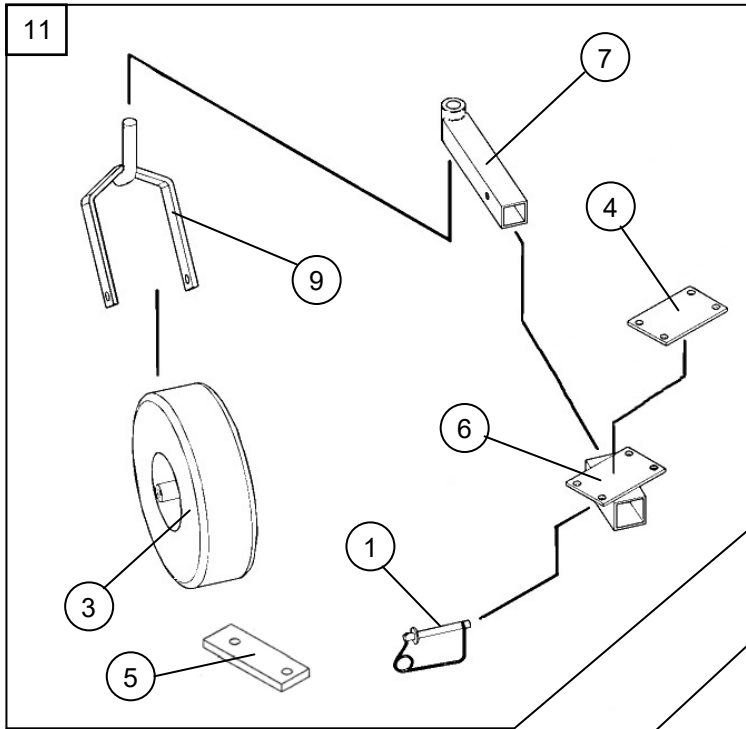
<u>Item</u>	<u>Part #</u>	<u>Description</u>	<u>Cost</u>
1	202140	Hex Head Bolt 5/8" x 7.5"	\$5.04
2	202142	Hex Head Bolt 5/8" x 12.0"	\$8.67
3	212015	Centered Lock Nut 5/8"	\$0.30
4	214014	Machinery Washer 1" I.D. x 1.5" O.D. x 18 GA	\$0.21
5	214018	Machinery Washer 5/8" I.D. x 1" O.D.	\$0.12
6	214019	Machinery Washer 1" I.D. x 1.5" O.D. x 10GA	\$0.36
7	214021	Cup Washer	\$1.23
8	222012	Single Split Collar 1" I.D. x 1/2" Thick	\$3.42
9	226003	Offset Wheel Assy. (15/600 x 6, 4 Ply Turf) (See Wheel Assy. Drawing Above)	~
10	900091	Rear Tire Extension	\$29.85
11	900149	Caster	\$38.79
12	003905	Wetlands Kit	\$505.00

OPTIONAL ELECTRIC LIFT KIT - (PART # 003912)



Item	Part #	Description	Cost
1	235061	Six Contact Socket Connector	\$1.53
2	235063	Battery Wiring Harness	\$14.91
3	235065	Wiring Harness	\$16.23
4	235066	Battery Clip Harness	\$20.01
5	235067	Extension Cable	\$24.45
6	235070	Actuator Wiring Harness Assy.	\$14.00
7	237003	Electric Linear Actuator (8" Stroke)	\$555.93
8	264006	Fuse Holder	\$6.78
	264009	Fuse (30 Amp)	\$1.26
9	264008	Rocker Switch	\$22.53
10	277030	Fixed Diameter Cable Clamp	\$0.09
11	500010	Control Panel	\$13.98
	275020	Lift Control Decal	\$3.06
12	600238	Actuator Bracket	\$9.81
13	600239	Top Long Support	\$8.97
14	600240	Top Short Support	\$7.71
15	600269	Actuator Bracket Spacer	\$2.80
16	003912	Electric Lift Kit (For 44" Rough Cut Models)	\$570.00

OPTIONAL FLOATATION KIT PARTS (PART #'s 003907 & 003908)



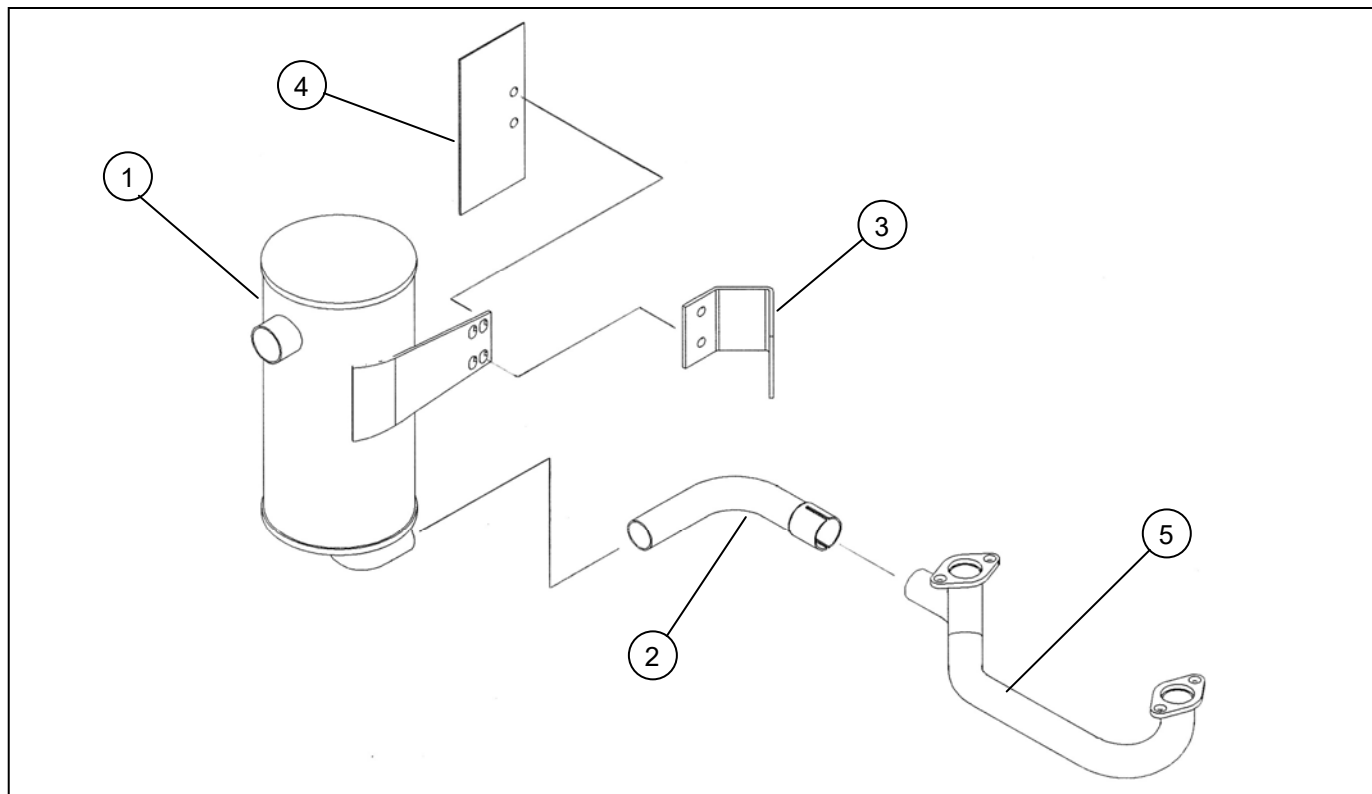
<u>Item</u>	<u>Part #</u>	<u>Description</u>	<u>Cost</u>
1	216011	Wire Lock Pin (1/2" x 3-1/2" Opening)	\$7.71
2	226012	Offset Wheel Assy. (15/600 x 6, 4 Ply Turf) (See Wheel Assy. Drawing Above)	~
3	226013	Centered Wheel Assy. (5.30/4.50 x 6, 4 Ply Stud) (See Wheel Assy. Drawing Above)	~
4	600195	Clamping Flat	\$9.35
5	600272	Spacer Flat (1/2" Thick) (Spaces Cross Brace Tubes Up)	\$6.00
6	900107	Receiver Assy.	\$38.10
7	900108	Caster Support	\$34.65
	243010	Plastic Bearing (1-3/8" O.D. x 1.00" I.D., Flange, Nylon)	\$0.90
8	900109	Rear Wheel Support	\$43.68
9	900148	Caster Fork (Includes 1" Washers) (Replaces Caster Fork 900073, Also Requires 222012)	\$39.21
	222012	Single Split Collar (1" I.D. x .1/2" Thick)	\$3.42
10	003907	Rear Floatation Kit	\$150.00
11	003908	Front Floatation Kit	\$180.00

MISCELLANEOUS PARTS

AIR FILTERS, OIL FILTERS, BATTERY ETC.

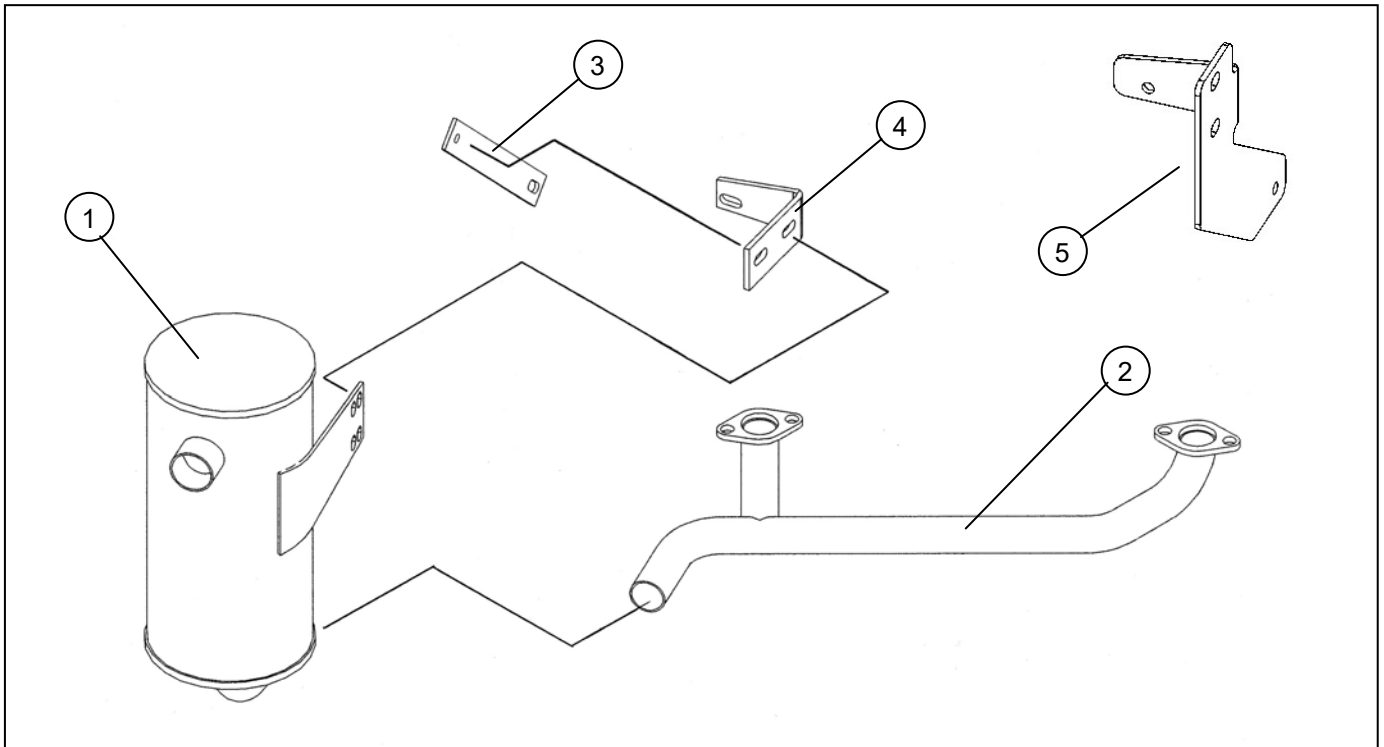
<u>Part #</u>	<u>Description</u>	<u>Cost</u>
226014	Flatproof Wheel Assy. (15/600 x 6 - Urethane Foam)(Includes Tire, Rim & Bearings)(Optional Replacement for 226003)	\$160.26
226015	Flatproof Wheel Assy. (5.30/4.50 x 6 - Urethane Foam)(Includes Tire, Rim & Bearings)(Optional Replacement for 226004)	\$109.59
257500	Oil Filter, Kohler (12-050-01-S) - Used on 18HP Kohler Command Engines	\$9.79
257503	Oil Filter, Kohler (52-050-02-S) - Replace with 257500	~
257507	Air Filter (Filter Only Use 257508 Also), Kohler (12-083-10-S) - Used on 18HP Kohler Command Engines	\$14.85
257508	Pre-Cleaner (Use with 257507 Air Filter), Kohler (12-083-12-S) - Used on 18HP Kohler Command Engines	\$3.15
257513	Air Filter (Filter Only Use 257514 Also), Briggs (795115) - Used on 17.5HP Briggs Intek Engines	\$13.45
257514	Pre-Cleaner (Use With 257513 Air Filter), Briggs (697015) - Used on 17.5HP Briggs Intek Engines	\$4.30
257515	Air Filter (Canister Style), Briggs (591334 was 796031) - Used on 19.5HP Briggs Intek Engines	\$11.95
257516	Oil Filter, Briggs (696854, Higher Grade Yellow) - All Briggs Models With Oil Filter	\$10.30
257524	Air Filter (Filter Only Use 257525 Also), Briggs (394018S) - Used on 18HP Briggs Vanguard Engines	\$12.00
257525	Pre-Cleaner (Use With 257524 Air Filter), Briggs (272490S) - Used on 18HP Briggs Vanguard Engines	\$3.95
257530	Air Filter (Filter Only Use 257531 Also), Briggs (793569) - Used on 19HP Briggs Professional Engines	\$15.85
257531	Pre-Cleaner (Use With 257530 Air Filter), Briggs (793685) - Used on 19HP Briggs Professional Engines	\$3.65
257533	Air Filter (Filter Only Use 257536 Also), Briggs (798897) - Used on 20HP Briggs Commercial Turf Engines	\$22.95
257536	Pre-Cleaner (Use With 257533 Air Filter), Briggs 593217) - Used on 20HP Briggs Commercial Turf Engines	\$4.75
264003	Hour/Tach Meter (Digital)	\$66.69
264004	Battery (12V AGM Sealed)	\$64.36
277025	Tire Sealer - 32 oz Bottle (Each Tire Requires 16 oz)	\$17.99
277042	Spare Key for Indak Ignition Switches (Used on 264001 & 264010)	\$1.39

MR44V EXHAUST PARTS – 18HP VANGUARD



<u>Item</u>	<u>Part #</u>	<u>Description</u>	<u>Cost</u>
1	257505	Muffler - 5" (Used on 18 & 23HP Briggs Vanguard and 22 & 23 HP Briggs Intek)	\$73.02
2	257523	Manifold Elbow (Used on 18 HP Briggs Vanguard)	\$17.94
3	600296	Manifold Bracket	\$5.55
4	600297	Heat Deflector	\$3.45
5	~	Manifold - Briggs Part #805404 (Available Through Briggs & Stratton)	~

MR44BC EXHAUST PARTS -20HP BRIGGS COMMERCIAL TURF



<u>Item</u>	<u>Part #</u>	<u>Description</u>	<u>Cost</u>
1	257505	Muffler - 5"	\$73.02
2	257506	Manifold	\$36.33
3	600231	Exhaust Brace (Can be upgraded to 600313)	\$5.60
4	600232	Exhaust Support (Can be upgraded to 600313)	\$4.26
5	600313	Muffer Bracket (Replaces both 600231 & 600232 with single piece)	\$6.54