

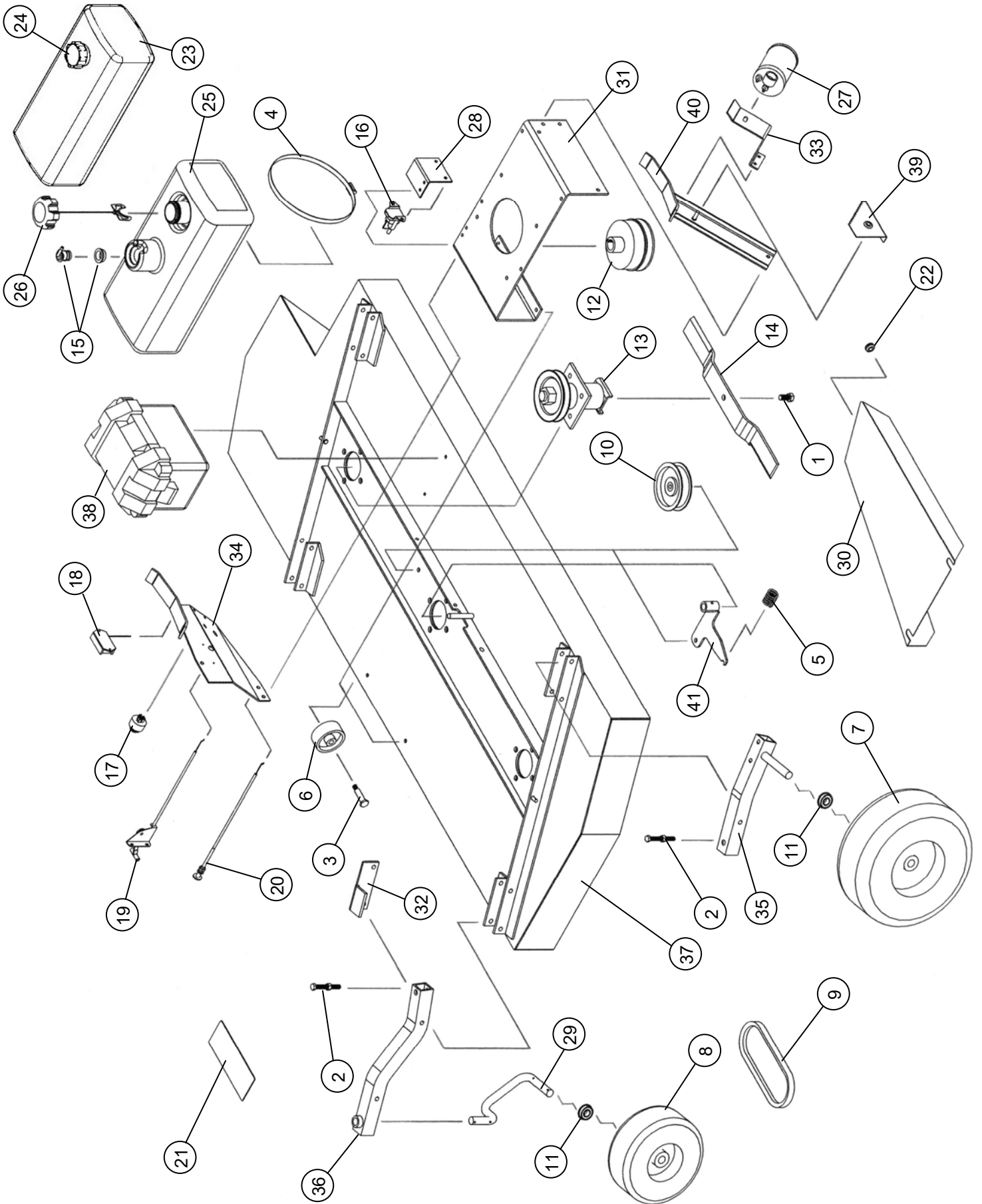
MODELS C60K, C60H & C60V

(See drawings below for additional parts)

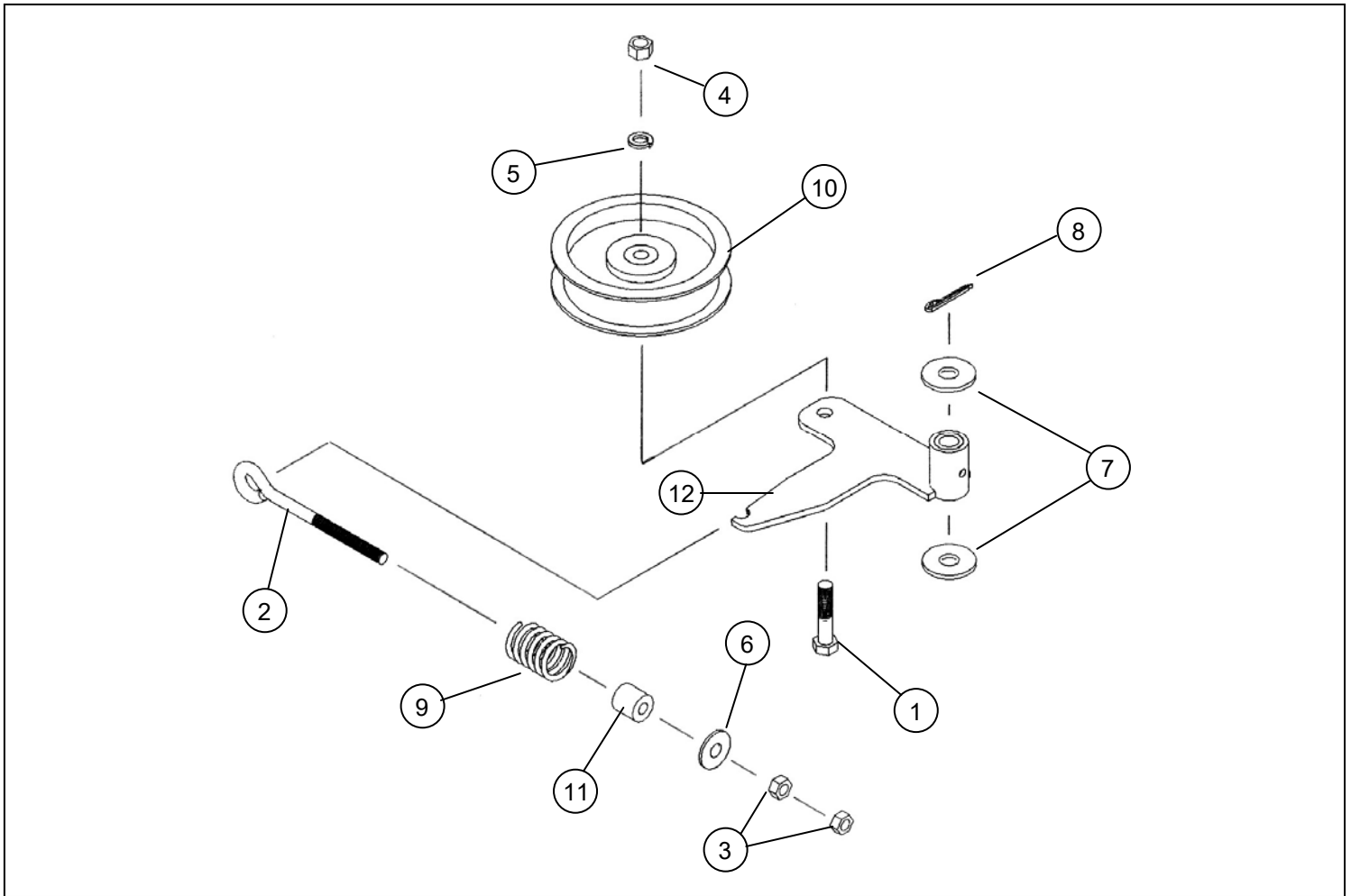
<u>Item</u>	<u>Part #</u>	<u>Description</u>	<u>Cost</u>
1	202136	Blade Bolt, 1/2"-20NF x 1"	\$0.69
2	202135	Hex Head Bolt, 3/8" x 3" Fully Threaded	\$0.78
3	204000	Shoulder Bolt, 1/2" x 1-5/8" Shoulder Length	\$2.37
4	222005	Worm Drive Hose Clamp (7-7/8" to 9-1/8" Clamping Dia.)	\$8.04
5	225000	Compression Spring, 1-1/2"L x 1-3/32" O.D. x .135" Wire dia. (Belt Tensioner Drawing Below)	\$3.57
6	226000	Plastic Wheel, 3" O.D. x 1/2" I.D. x 1-1/4" Wide	\$1.67
7	226001	Offset Wheel Assy., 13/500 x 6, 2 Ply Turf	\$60.03
8	226002	Centered Wheel Assy., 9/350 x 4, Flat Proof Urethane Foam	\$55.44
9	238002	"V" Belt, B Section, 127" O.C. Dayco B124 Super II	\$54.78
10	241001	Flat Idler, 4" O.D. x 3/8" Hole (Plastic Replaced with Steel)	\$15.63
11	243008	Precision Sealed Wheel Bearings (1-3/8 O.D. x 3/4" I.D.)	\$4.30
12	258007	Centrifugal Clutch (See Clutch Drawing Below)	~
12	258016	Centrifugal Clutch (See Clutch Drawing Below)	~
13	258006	Spindle Assy. (See Spindle Drawing Below)	~
13	258014	Spindle Assy. (See Spindle Drawing Below)	~
13	258020	Spindle Assy. (See Spindle Drawing Below)	~
14	259001	Offset Mower Blade, 2" Wide, 20" Long, 1/2" Hole	\$17.88
15	260004	Roll-Over / Fuel Vapor Valve (Includes Grommet)	\$7.44
16	264000	Solenoid (Models C60K & C60V) (Replaces 264002)	\$40.35
17	264001	Ignition Switch (C60K & C60H)	\$16.02
17	264010	Ignition Switch (C60V)	\$13.44
18	264003	Hour/Tack Meter	\$66.69
19	269001	Throttle Control, 15" (C60K)	\$12.30
19	269009	Throttle Control, 27" (C60H & C60V)	\$13.35
20	269004	Choke Control, 14" (C60K)	\$7.02
20	269010	Choke Control, 27" (C60V)	\$8.76
21	275001	Control Panel Decal, Starting Instructions (Models C60K & C60V)	\$2.97
21	275002	Warning Decal General	\$1.53
21	275003	Danger Decal, Cut Finger	\$0.91
21	275007	Warning Decal, Belt Sheild	\$0.98
21	275012	Control Panel Decal, Starting Instructions (Model C60H)	\$2.76
21	275013	Throttle Control Decal (Slow, Fast & Choke) (Model C60H)	\$2.07
21	275019	Name Decal, Kunz	\$1.86
21	275021	Name Decal, AcrEase (Replaces 275000, 275009 & 275017)	\$1.98
21	275023	Name Decal, 60" Finish Cut	\$1.59
22	277002	Rubber Grommet	\$0.29
23	277010	Fuel Tank, 3-3/4 Gal. Plastic (Replace with 277034 and Use 277013)	~
	277041	Fuel Tank Grommet (Bottom Petcock Location)	\$4.50
24	277013	Gas Cap - Venting Style (For Fuel Tank 277010 and with Fuel Tank 277035 Without Vent Hose)	\$18.81
25	277034	Fuel Tank, 3 Gal. (Replaces Fuel Tank 277010)	\$183.39
		<i>Note: Fuel Tank 277034 is an EPA Certified Component . Only Replace with Fuel Tank 277034.</i>	
	277041	Fuel Tank Grommet (Bottom Petcock Location)	\$4.50
25	277040	Fuel Tank, 3 Gal. , 3-Layer (Used on 2013 Models and Newer)	\$230.67
		<i>Note: Fuel Tank 277040 is an EPA Certified Component . Only Replace with Fuel Tank 277040.</i>	
	277041	Fuel Tank Grommet (Bottom Petcock Location)	\$4.50
26	277035	Gas Cap - Audible Click/Tethered, Non-Venting (Only Use with Fuel Tanks with Vent Hose)	\$16.95
		<i>Note: Gas Cap 277035 is an EPA Certified Component . Only Replace with Gas Cap 277035.</i>	
27	277036	Carbon Canister - 300cc (California Only)	\$36.00
		<i>Note: Canister 277036 is an EPA Certified Component . Only Replace with Canister 277036.</i>	
28	600048	Solenoid Support (Models C60K & C60V)	\$5.81

<u>Item</u>	<u>Part #</u>	<u>Description</u>	<u>Cost</u>
29	600059	Caster Axle	\$20.85
30	600062	Belt Sheild L.H.	\$28.02
30	600063	Belt Sheild R.H. (Discharge Side)	\$28.02
31	600065	Engine Support Bracket	\$43.44
32	600188	Caster Support Stop	\$6.90
33	600291	Canister Support (California Only)	\$6.87
34	600305	Control Panel (Modes C60K & C60V) (Replaces 900023)	\$19.47
34	900089	Control Panel (Model C60H)	\$22.54
35	900005	Rear Axle	\$28.83
36	900021	Caster Support	\$53.69
37	900029	Mower Deck (Call to Order)	~
38	900049	Battery Box Assy.	\$41.91
	264004	Battery (12V AGM Sealed)	\$64.36
39	900051	Depth Gage	\$11.41
40	900052	Tank Support	\$18.73
41	900182	Idler Arm Assy. (Includes Bronze Bearing)(Replaces 900025)(<i>Belt Tensioner Drawing Below</i>)	\$17.19
	243000	Bronze Bearing, 1/2" I.D. x 3/4" O.D. x 1-1/2" Long	\$3.93

PARTS DRAWING FOR MODELS C60K, C60H & C60V



BELT TENSIONER (IDLER ARM) PARTS

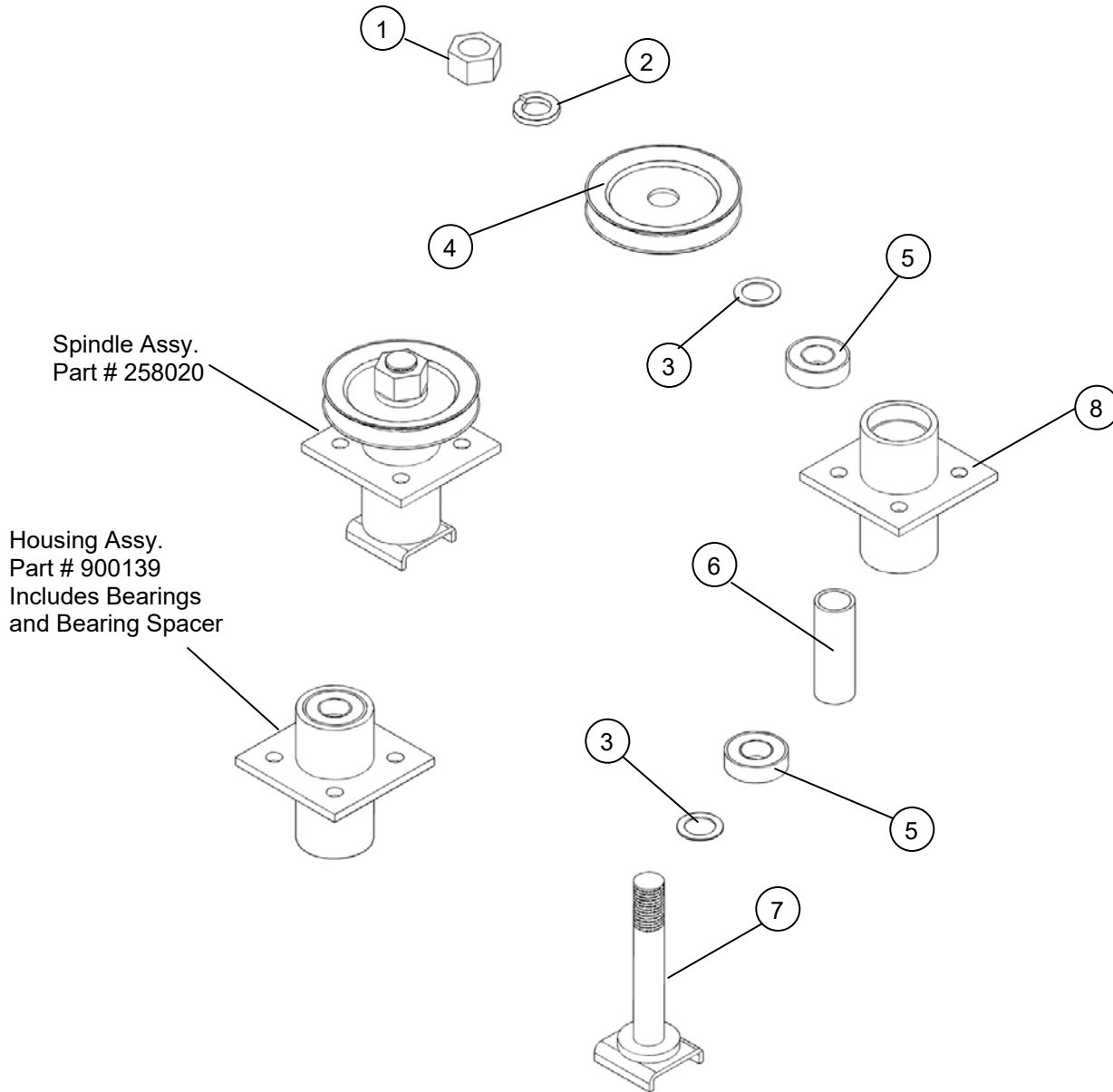


<u>Item</u>	<u>Part #</u>	<u>Description</u>	<u>Cost</u>
1	202040	Hex Head Bolt 3/8" x 1-1/2" Long	\$0.36
2	204002	Eye Bolt 5/16" x 4" Usable Length	\$3.75
3	212001	Hex Nut 5/16"	\$0.03
4	212002	Hex Nut 3/8"	\$0.06
5	214002	Lock Washer 3/8"	\$0.03
6	214005	Standard Flat Washer 3/8"	\$0.06
7	214006	Standard Flat Washer 1/2"	\$0.09
8	215000	Cotter Pin, .156" x 1.00" Long	\$0.06
9	225000	Compression Spring, 1.50" Long x 1-3/32" O.D. x .135" Wire dia.	\$3.57
10	241001	Flat Idler, 4" O.D. x 3/8" Hole (Replaced with Steel)	\$15.63
11	277004	Tube Spacer - Nylon 3/4" Long	\$0.21
12	900182	Idler Arm Assy. (Includes Bronze Bearing) (Replaces 900025)	\$17.19
	243000	Bronze Bearing, 1/2" I.D. x 3/4" O.D. x 1.50" Long	\$3.93

PARTS BREAKDOWN FOR COMMERCIAL SPINDLE ASSY.

(PART # 258020)

Replaces Part #'s 258006 and 258014 (Certain parts are interchangeable between spindles)

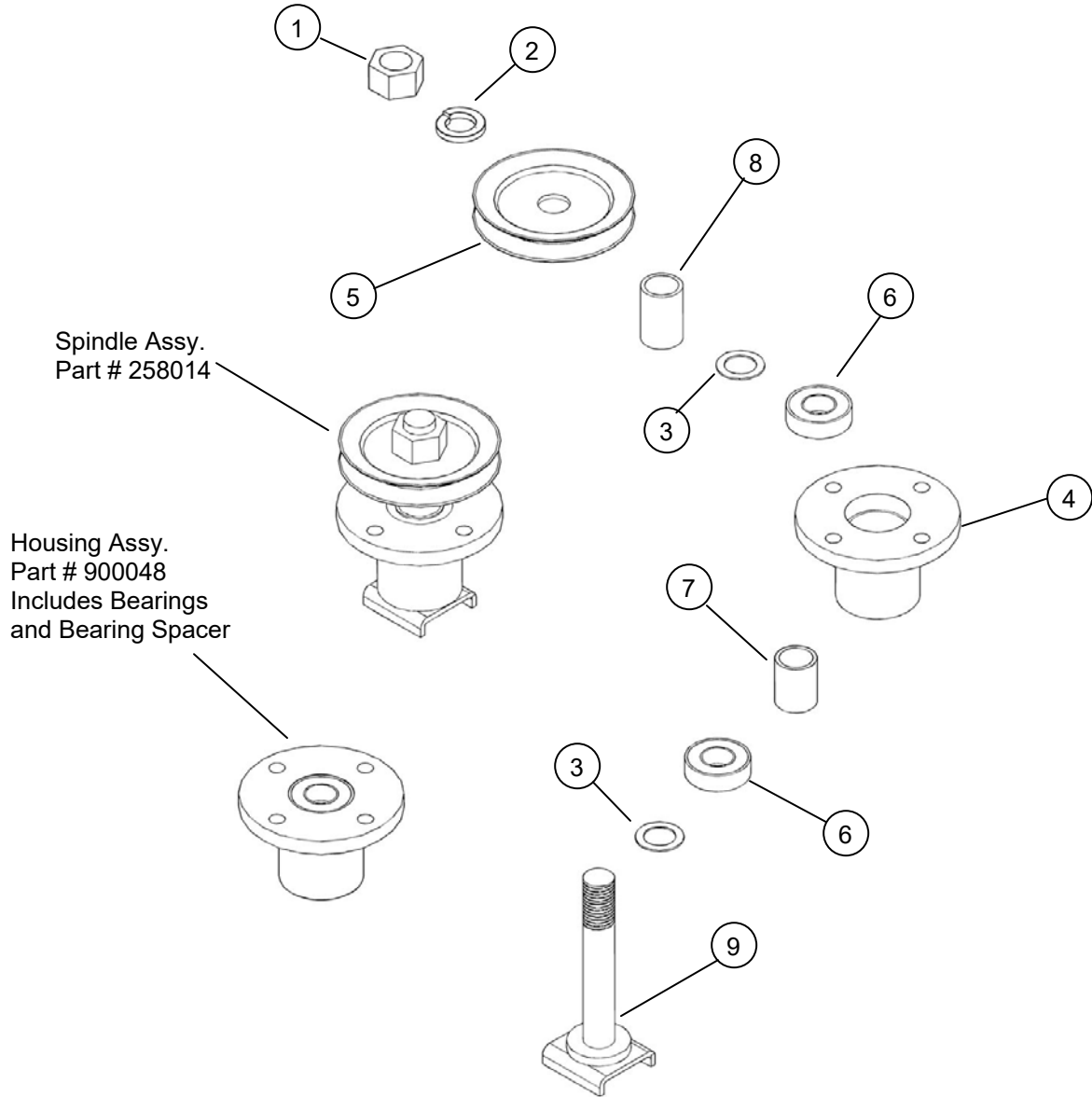


<u>Item</u>	<u>Part #</u>	<u>Description</u>	<u>Cost</u>
1	212009	Std. Hex Nut 1.00" - 14NF	\$2.31
2	214013	Split Lock Washer 1.00"	\$0.60
3	214014	Machinery Washer 1.00" I.D. x 18 GA Thick	\$0.21
4	241007	"V" Sheave 5.25" Dia. - 25 mm Bore	\$26.07
5	243003	Bearing 6205 - 2RST	\$9.60
6	600204	Bearing Spacer	\$10.50
7	900046	Spindle Shaft	\$33.39
8	900121	Spindle Hub (Not Sold Separately, Purchase 900139)	~
	900139	Replacement Housing Assy.	\$84.99
	258020	Replacement Spindle Assy.	\$142.38

PARTS BREAKDOWN FOR COMMERCIAL SPINDLE ASSY.

(PART # 258014)

Upgrade Spindle Assy. Part # 258020 (Certain parts are interchangeable between spindles)

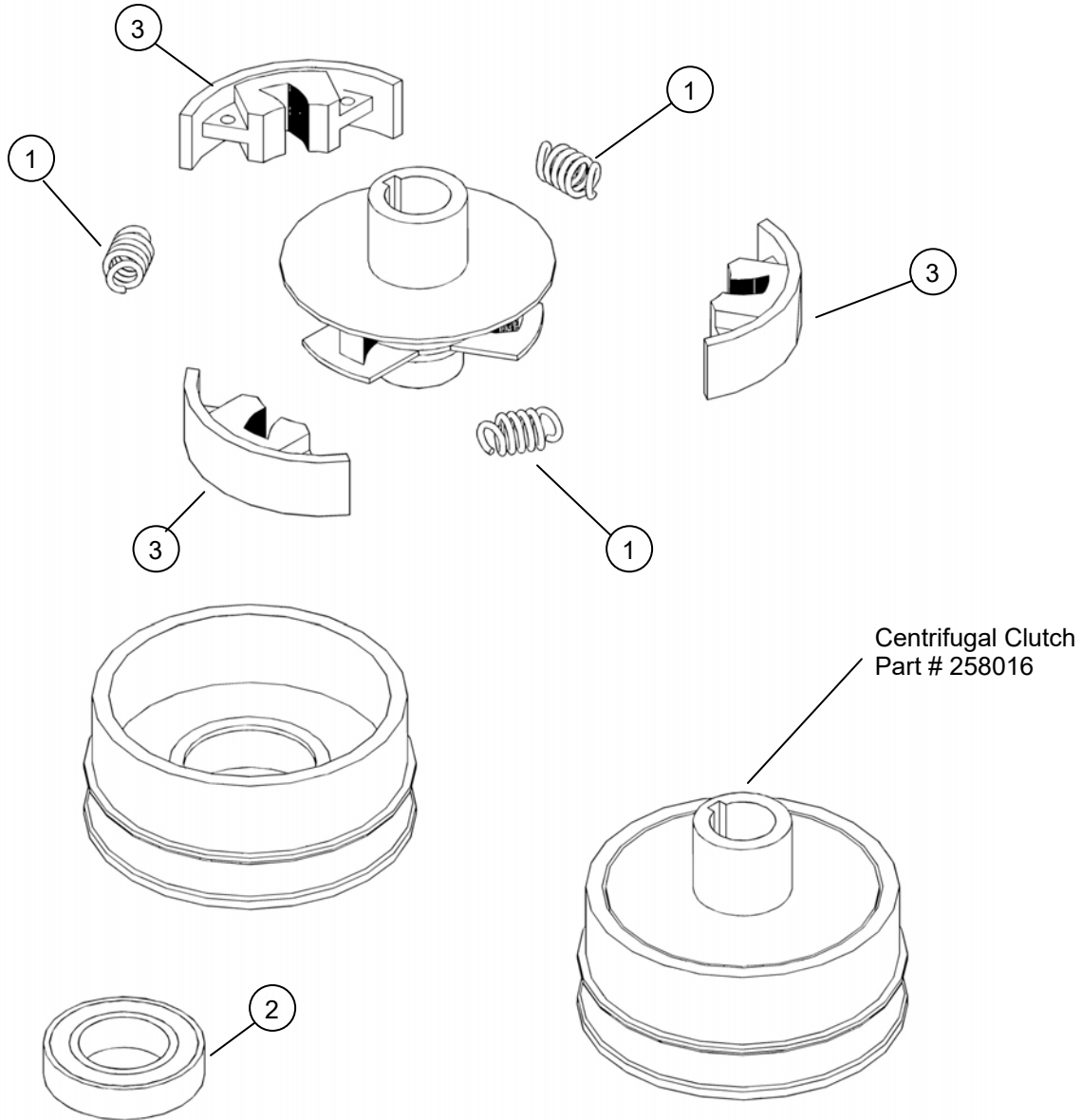


<u>Item</u>	<u>Part #</u>	<u>Description</u>	<u>Cost</u>
1	212009	Std. Hex Nut 1.00" - 14NF	\$2.31
2	214013	Split Lock Washer 1.00"	\$0.60
3	214014	Machinery Washer 1.00" I.D. x 18 GA Thick	\$0.21
4	231001	Spindle Hub (Not Sold Separately, Purchase 900048 or Upgrade to 900139)	~
5	241007	"V" Sheave 5.25" Dia. - 25 mm Bore	\$26.07
6	243003	Bearing 6205 - 2RST	\$9.60
7	600086	Bearing Spacer	\$4.50
8	600088	Pulley Spacer	\$3.15
9	900046	Spindle Shaft	\$33.39
	900048	Replacement Housing Assy. (Can be Upgraded to 900139)	\$42.96
	900139	Replacement Housing Assy. (Extra Long Bearing Life)	\$84.99
	258014	Replacement Spindle Assy. (Upgrade to 258020)	~
	258020	Replacement Spindle Assy.	\$142.38

PARTS BREAKDOWN FOR CENTRIFUGAL CLUTCH (PART # 258007 AND 258016)

Clutch Part #258007 - (For Models C60K, H60T, H60H, C60H & H60K with the following seven digit serial numbers (ignore the first two digits)) (xx95032 – xx99171) or (xx00001 – xx04168)

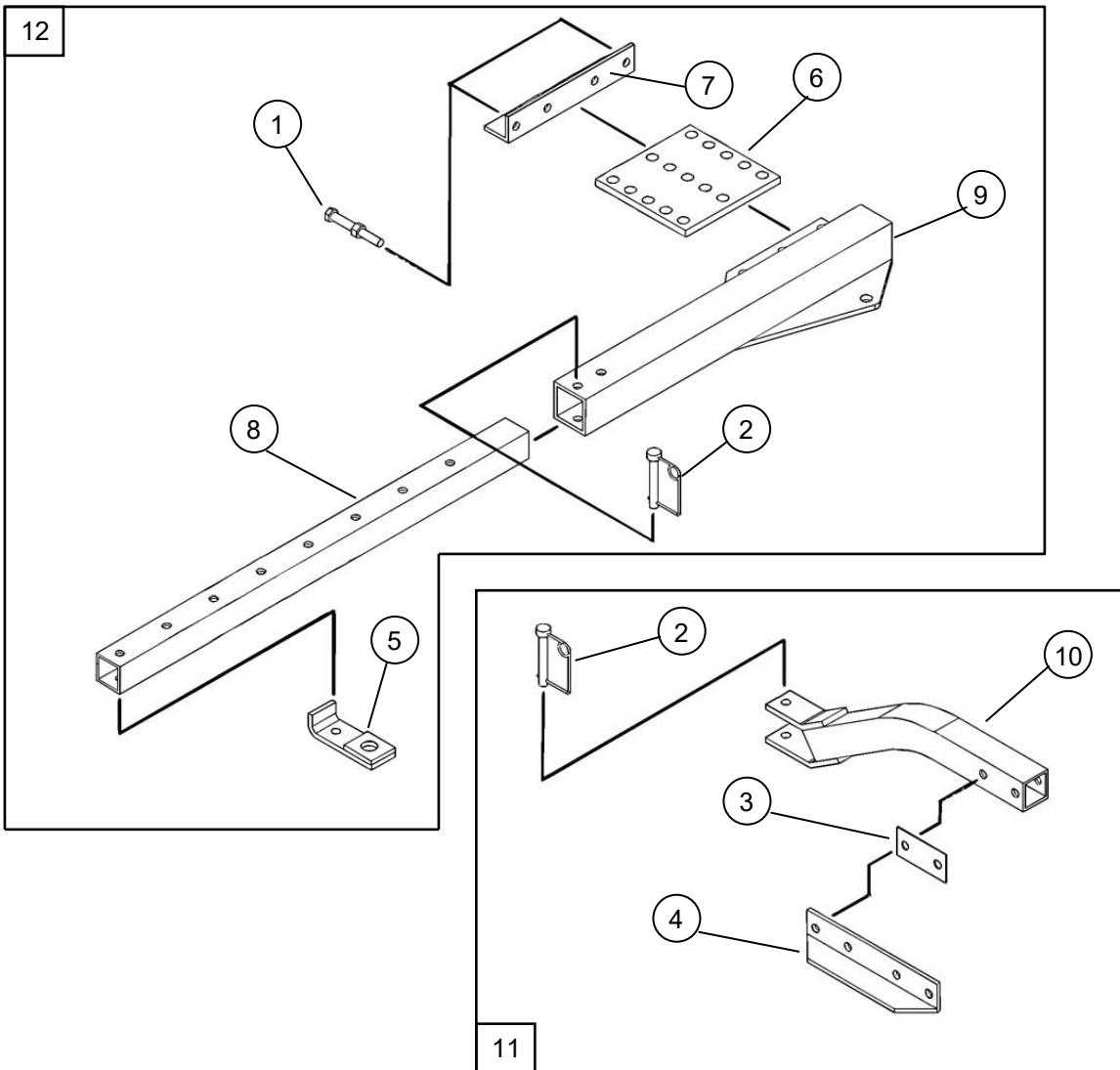
Clutch Part #258016 - (For Models C60K, H60T, H60B, H60H, C60H & C60V with the following seven digit serial numbers (ignore the first two digits)) (xx04179 – any serial # higher but less than xx95032)



<u>Item</u>	<u>Part #</u>	<u>Description</u>	<u>Cost</u>
1	225001	Spring, 1850 RPM Engagement (White) for 258007 Clutch	\$8.13
1	225004	Spring, 1850 RPM Engagement (Blue) for 258016 Clutch	\$8.13
2	243004	Bearing	\$12.69
3	258005	Clutch Shoe for 258007 Clutch	N/A
3	258017	Clutch Shoe for 258016 Clutch	N/A
Note: This is a steel-on-steel clutch. If the clutch shoes or worn out the clutch needs to be replaced.			
	258007	Replacement Clutch Assy. (Upgrade to 258016 Clutch Assy.)	~
	258016	Replacement Clutch Assy.	\$255.48

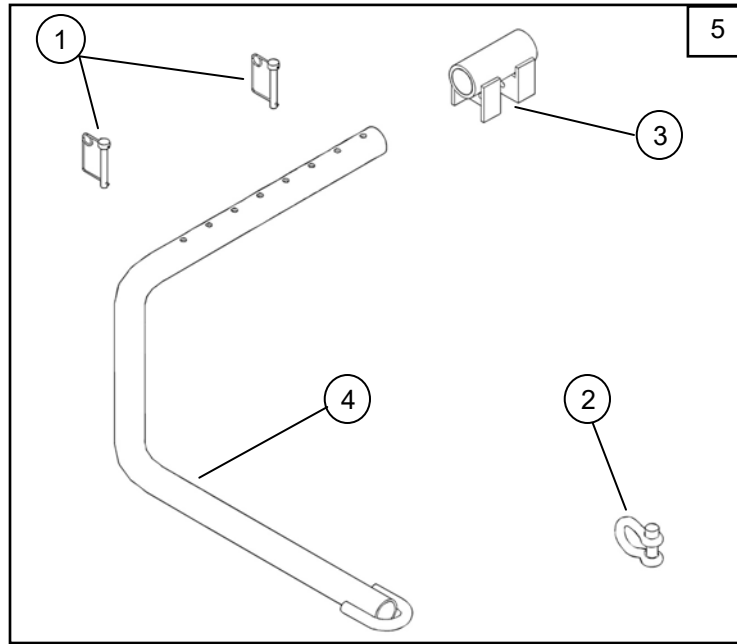
LAWN & GARDEN HITCH PARTS

(PART #'s 900013 & 900028)



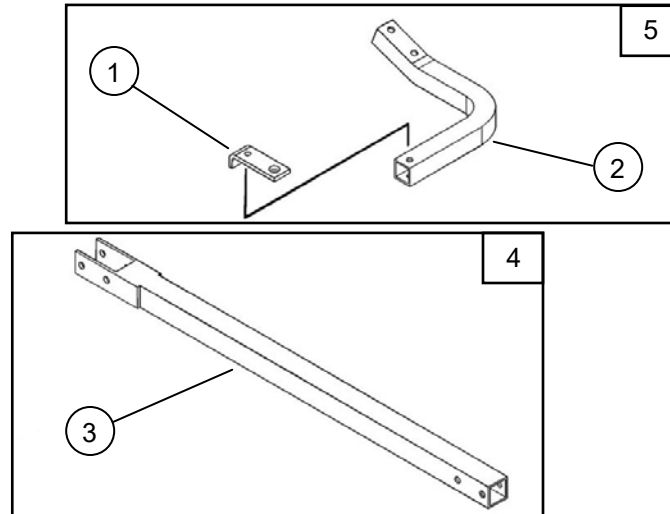
Item	Part #	Description	Cost
1	202135	Hex Head Bolt, 3/8" x 3" Fully Threaded	\$0.78
2	216006	Wire Lock Pin, 3/8" x 2-1/4" Opening	\$5.79
3	600001	Spacer	\$3.08
4	600002	Tongue Pivot Angle	\$9.18
5	900050	Hitch Draw Bar	\$7.32
6	600044	Hitch Adaptor Plate	\$16.17
7	600009	Hitch Stop Angle	\$9.63
8	600043	Hitch Extension	\$24.81
9	900026	Telescope Hitch	\$41.67
10	900007	Short Tongue	\$25.41
11	900013	Short Tongue Assy.	\$40.00
12	900028	Hitch Assy. - Telescoping	\$95.00

ATV TONGUE PARTS (PART # 900084)



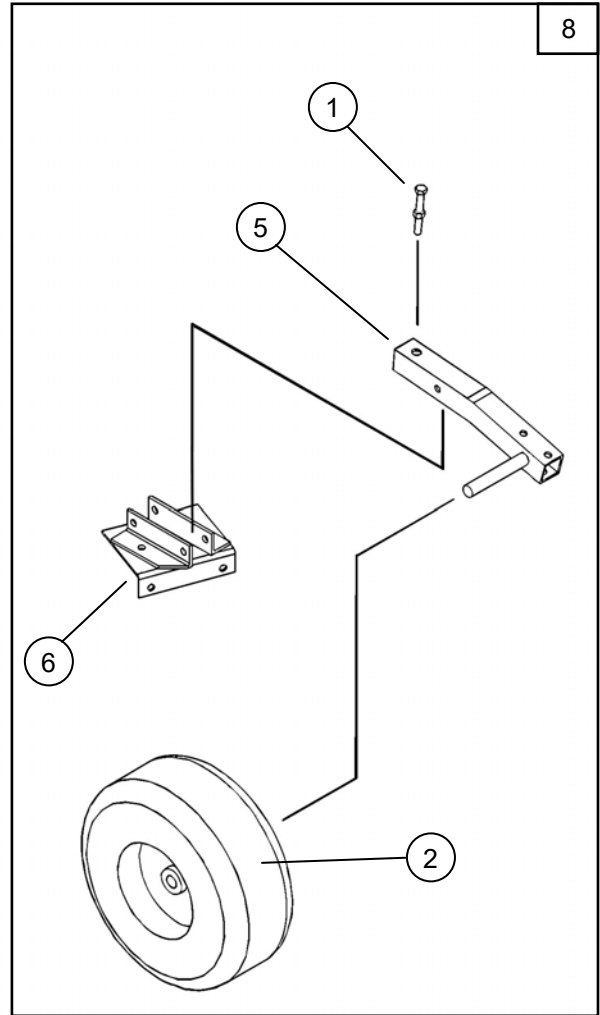
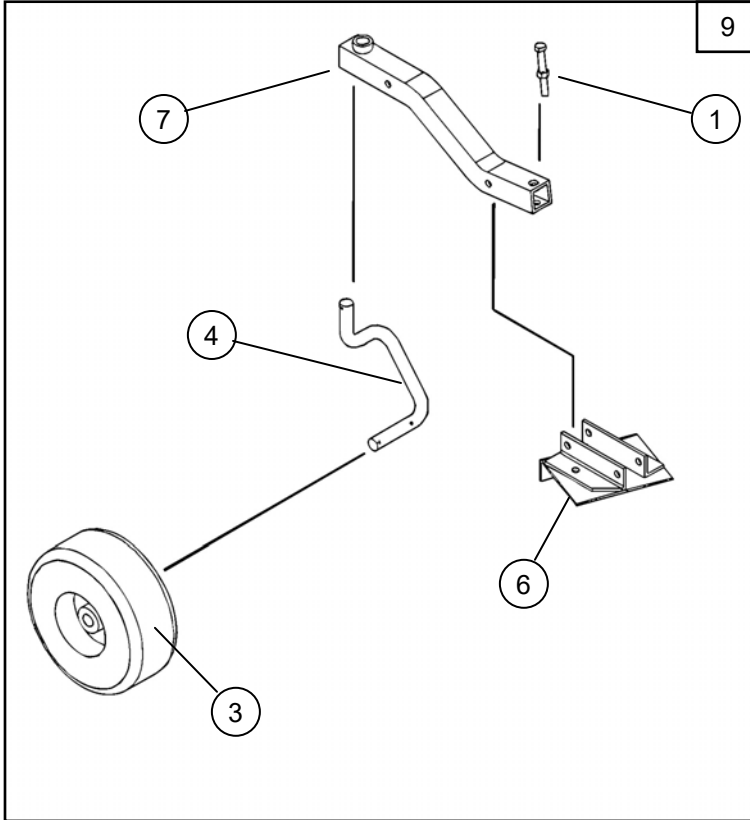
<u>Item</u>	<u>Part #</u>	<u>Description</u>	<u>Cost</u>
1	216002	Wire Lock Pin .31" X 2.50"	\$5.97
2	216009	Screw Pin Shackle Clevis	\$10.50
3	900057	Hitch Pivot	\$39.15
4	900082	Tongue	\$66.60
5	900084	ATV Tongue Assy.	\$110.00

OPTIONAL HITCH PARTS (PART #'s 900008 & 900009)



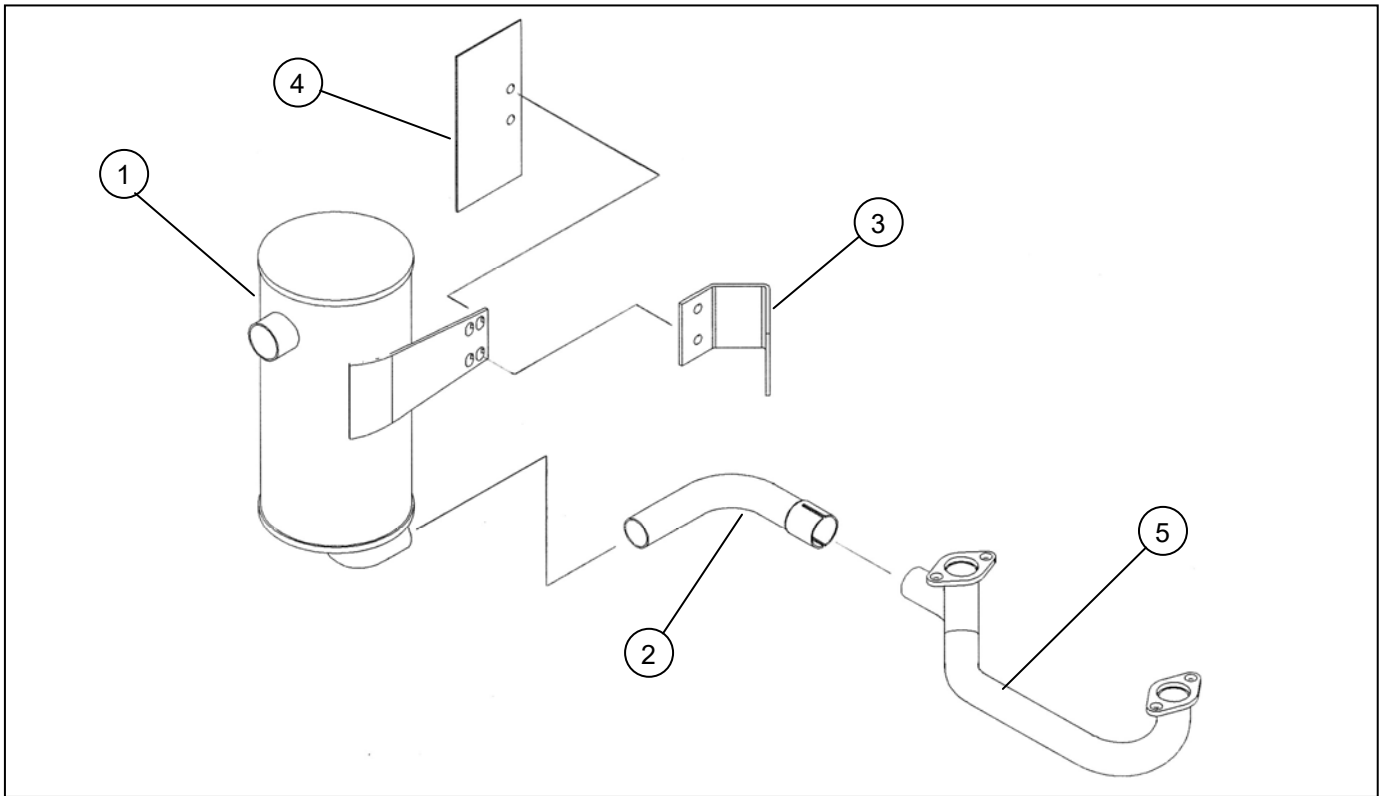
<u>Item</u>	<u>Part #</u>	<u>Description</u>	<u>Cost</u>
1	600006	Hitch Flat (5/16" Mounting Hole)	\$3.43
2	600020	Rear Hitch Tube (Replace with Rear Hitch Assy. 900009)	~
3	900000	Long Tongue Extension (Replace with Long Tongue Assy. 900008)	~
4	900008	Long Tongue Assy.	\$24.00
5	900009	Rear Hitch Assy.	\$15.00

OPTIONAL FLOATATION KIT PARTS (PART #'s 003902 & 003904)



<u>Item</u>	<u>Part #</u>	<u>Description</u>	<u>Cost</u>
1	202135	Hex Head Bolt (3/8" x 3" Fully Threaded)	\$0.78
2	226001	Offset Wheel Assy. (13/500 x 6, 2 ply turf)	\$60.03
	243008	Precision Sealed Wheel Bearings (1-3/8 O.D. x 3/4" I.D.)	\$4.30
3	226002	Centered Wheel Assy. (9/3.50 x 4, Flat Proof Urethane Foam)	\$55.44
	243008	Precision Sealed Wheel Bearings (1-3/8 O.D. x 3/4" I.D.)	\$4.30
4	600059	Caster Axle	\$20.85
5	900005	Rear Axle	\$28.83
6	900020	Wheel Support	\$32.31
7	900021	Caster Support	\$53.69
8	003902	Rear Floatation Kit	\$90.00
9	003904	Front Floatation Kit	\$120.00

C60V EXHAUST PARTS – 18HP VANGUARD



<u>Item</u>	<u>Part #</u>	<u>Description</u>	<u>Cost</u>
1	257505	Muffler - 5" (Used on 18 & 23HP Briggs Vanguard and 22 & 23 HP Briggs Intek)	\$73.02
2	257523	Manifold Elbow (Used on 18 HP Briggs Vanguard)	\$17.94
3	600296	Muffler Bracket	\$5.55
4	600297	Heat Deflector	\$3.45
5	~	Manifold - Briggs Part #805404 (Available Through Briggs & Stratton)	~

MISCELLANEOUS PARTS

AIR FILTERS, OIL FILTERS, BATTERY ETC.

<u>Part #</u>	<u>Description</u>	<u>Cost</u>
257500	Oil Filter, Kohler (12-050-01-S) - Used on 12.5HP, 14HP, 15HP & 18HP Kohler Command Engines	\$9.79
257501	Air Filter (Includes Foam Pre-Cleaner), Kohler (12-883-05-S1) - Used on 12.5 - 15HP Kohler Command Engines	\$15.45
257503	Oil Filter, Kohler (52-050-02-S) - Replace with 257500	~
257507	Air Filter (Filter Only Use 257508 Also), Kohler (12-083-10-S) - Used on 18HP Kohler Command Engines	\$14.85
257508	Pre-Cleaner (Use with 257507 Air Filter), Kohler (12-083-12-S) - Used on 18HP Kohler Command Engines	\$3.15
257510	Air Filter (Includes Foam Pre-Cleaner), Honda (17211-ZF5-V01) - Used on 13HP Honda Engines	\$7.98
257016	Oil Filter, Briggs (696854, Higher Grade Yellow) - All Briggs Models With Oil Filter	\$10.30
257524	Air Filter (Filter Only Use 257525 Also), Briggs (394018S) - Used on 18HP Briggs Vanguard Engines	\$12.00
257525	Pre-Cleaner (Use With 257524 Air Filter), Briggs (272490S) - Used on 18HP Briggs Vanguard Engines	\$3.95
264004	Battery (12V AGM Sealed)	\$64.36
277042	Spare Key for Indak Ignition Switches (Used on 264001 & 264010)	\$1.39

OPTIONAL STARTER CABLE PARTS (Models Without a Battery Box)

<u>Part #</u>	<u>Description</u>	<u>Cost</u>
235005	Starter Terminal (1/4"- 20 Thread, Male End)	\$4.00
235006	Starter Cable (16' Long, Includes Female Plug)	\$31.84
235013	Starter Terminal (5/16" - 24 NF Thread, Male End)	\$4.00
900015	Starter Cable Assy. (16' Long, Includes Wrap Up Strap and Mounting Rivet)	\$35.25