

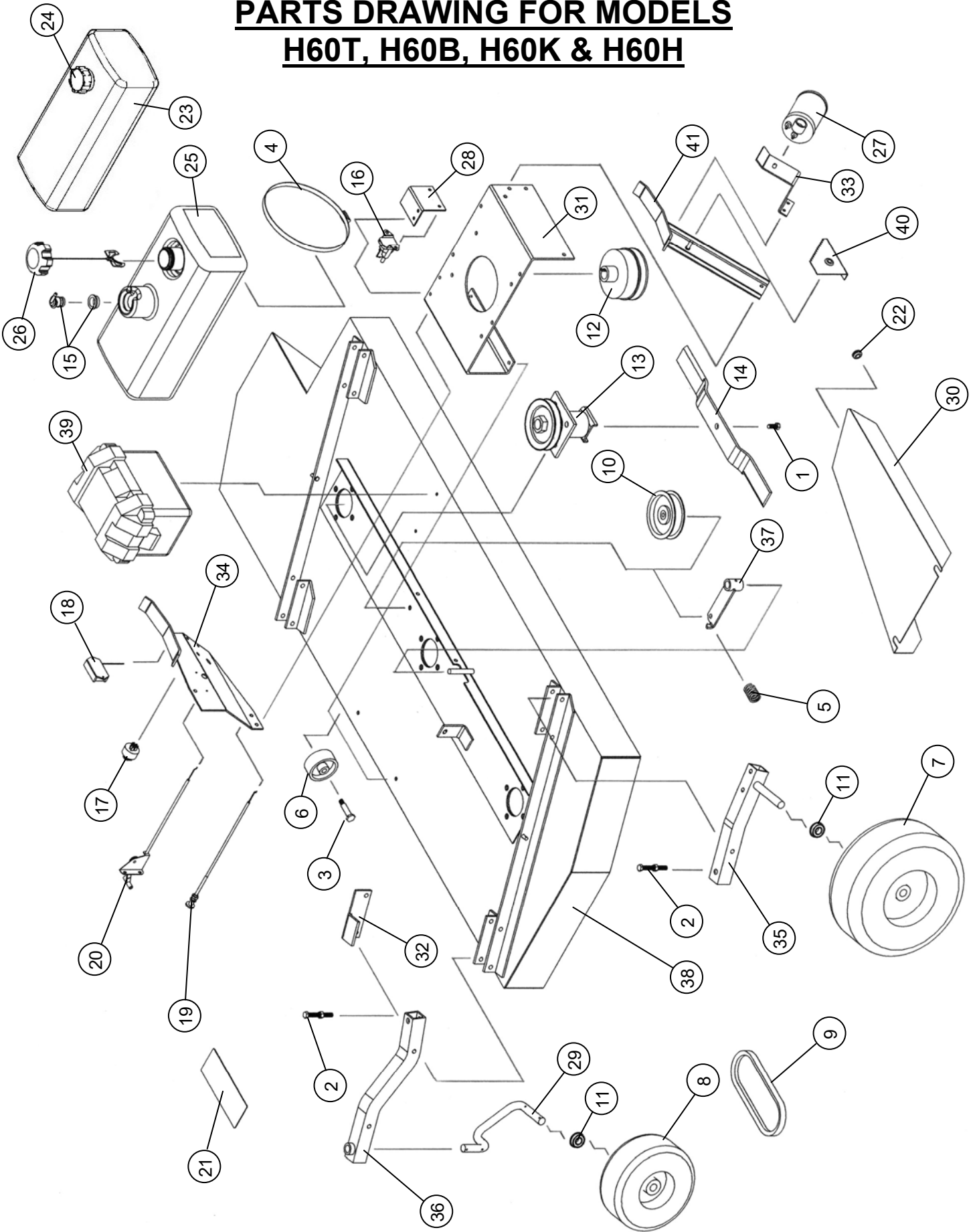
MODELS H60T, H60B, H60K & H60H

(See drawings below for additional parts)

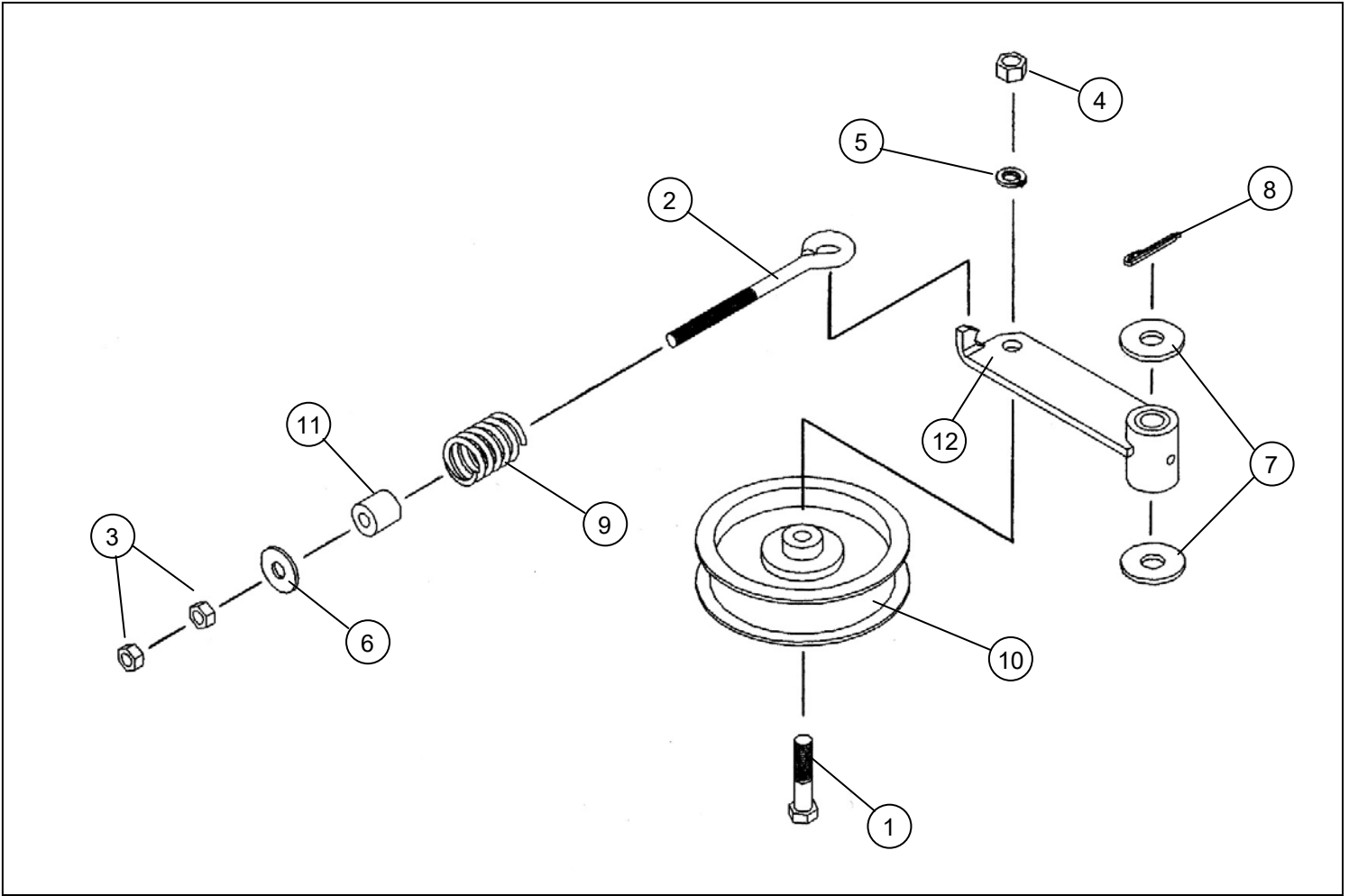
<u>Item</u>	<u>Part #</u>	<u>Description</u>	<u>Cost</u>
1	202134	Blade Bolt, 3/8"-24NF x 7/8"	\$0.36
2	202135	Hex Head Bolt, 3/8" x 3" Fully Threaded	\$0.78
3	204000	Shoulder Bolt, 1/2" x 1-5/8" Shoulder Length	\$2.37
4	222005	Worm Drive Hose Clamp (7-7/8" to 9-1/8" Clamping Dia.)	\$8.04
5	225000	Compression Spring, 1-1/2"L x 1-3/32" O.D. x .135" Wire dia. (Belt Tensioner Drawing Below)	\$3.57
6	226000	Plastic Wheel, 3" O.D. x 1/2" I.D. x 1-1/4" Wide	\$1.67
7	226001	Offset Wheel Assy., 13/500 x 6, 2 Ply Turf	\$60.03
8	226002	Centered Wheel Assy., 9/350 x 4, Flat Proof Urethane Foam	\$55.44
9	238002	"V" Belt, B Section, 127" O.C. Dayco B124 Super II	\$54.78
10	241001	Flat Idler, 4" O.D. x 3/8" Hole (Plastic Replaced with Steel)	\$15.63
11	243008	Precision Sealed Wheel Bearings (1-3/8 O.D. x 3/4" I.D.)	\$4.30
12	258007	Centrifugal Clutch (See Clutch Drawing Below)	~
12	258016	Centrifugal Clutch (See Clutch Drawing Below)	~
13	258010	Spindle Assy. (See Spindle Drawing Below)	~
13	258013	Spindle Assy. (See Spindle Drawing Below)	~
13	258021	Spindle Assy. (See Spindle Drawing Below)	~
14	259000	Offset Mower Blade, 2" Wide, 20" Long, 3/8" Hole	\$15.15
15	260004	Roll-Over / Fuel Vapor Valve (Includes Gromet)	\$7.44
16	264000	Solenoid (Replaces 264002)	\$40.35
17	264001	Ignition Switch (H60T, H60K & H60B 13HP Model)	\$16.02
17	264010	Ignition Switch (H60B 17.5-19.5 HP Models)	\$13.44
18	264003	Hour/Tack Meter (Optional)	\$66.69
19	269000	Choke Control, 20" (H60T, H60B)	\$7.50
19	269004	Choke Control, 14" (Model H60K)	\$7.02
20	269001	Throttle Control, 15" (H60T, H60B, H60K)	\$12.30
20	269009	Throttle Control, 27" (Model H60H)	\$13.35
21	275001	Control Panel Decal, Starting Instructions (H60T, H60B, H60K)	\$2.97
21	275002	Warning Decal General	\$1.53
21	275003	Danger Decal, Cut Finger	\$0.91
21	275007	Warning Decal, Belt Sheild	\$0.98
21	275012	Control Panel Decal, Starting Instructions (Model H60H)	\$2.76
21	275013	Throttle Control Decal (Slow, Fast & Choke) (Model H60H)	\$2.07
21	275019	Name Decal, Kunz	\$1.86
21	275021	Name Decal, AcrEase (Replaces 275000, 275009 & 275017)	\$1.98
21	275023	Name Decal, 60" Finish Cut	\$1.59
22	277002	Rubber Grommet	\$0.29
23	277010	Fuel Tank, 3-3/4 Gal. Plastic (Replace with 277034 and Use 277013)	~
	277041	Fuel Tank Grommet (Bottom Petcock Location)	\$4.50
24	277013	Gas Cap - Venting Style (For Fuel Tank 277010 and with Fuel Tank 277035 Without Vent Hose)	\$18.81
25	277034	Fuel Tank, 3 Gal. (Replaces Fuel Tank 277010)	\$183.39
	277041	Fuel Tank Grommet (Bottom Petcock Location)	\$4.50
		<i>Note: Fuel Tank 277034 is an EPA Certified Component . Only Replace with Fuel Tank 277034.</i>	
25	277040	Fuel Tank, 3 Gal., 3-Layer (Used on 2013 Models and Newer)	\$230.67
		<i>Note: Fuel Tank 277040 is an EPA Certified Component . Only Replace with Fuel Tank 277040.</i>	
	277041	Fuel Tank Grommet (Bottom Petcock Location)	\$4.50
26	277035	Gas Cap - Audible Click/Tethered, Non-Venting (Only Use with Fuel Tanks with Vent Hose)	\$16.95
		<i>Note: Gas Cap 277035 is an EPA Certified Component . Only Replace with Gas Cap 277035.</i>	
27	277036	Carbon Canister - 300cc (California Only)	\$36.00
		<i>Note: Canister 277036 is an EPA Certified Component . Only Replace with Canister 277036.</i>	

<u>Item</u>	<u>Part #</u>	<u>Description</u>	<u>Cost</u>
28	600048	Solenoid Support	\$5.81
29	600059	Caster Axle	\$20.85
30	600062	Belt Sheild L.H.	\$28.02
30	600063	Belt Sheild R.H. (Discharge Side)	\$28.02
31	600082	Engine Support Bracket	\$52.56
32	600188	Caster Support Stop	\$6.90
33	600291	Canister Support (California Only)	\$6.87
34	600305	Control Panel (Models H60T, H60B & H60K) (Replaces 900023)	\$19.47
34	900089	Control Panel (Model H60H)	\$22.54
35	900005	Rear Axle	\$28.83
36	900021	Caster Support	\$53.69
37	900040	Idler Arm Assy. (Includes Bronze Bearing) (<i>Belt Tensioner Drawing Below</i>)	\$15.47
	243000	Bronze Bearing, 1/2" I.D. x 3/4" O.D. x 1-1/2" Long	\$3.93
38	900042	Mower Deck (Call to Order)	~
39	900049	Battery Box Assy.	\$41.91
	264004	Battery (12V AGM Sealed)	\$64.36
40	900051	Depth Gage	\$11.41
41	900052	Tank Support	\$18.73

PARTS DRAWING FOR MODELS **H60T, H60B, H60K & H60H**



BELT TENSIONER (IDLER ARM) PARTS

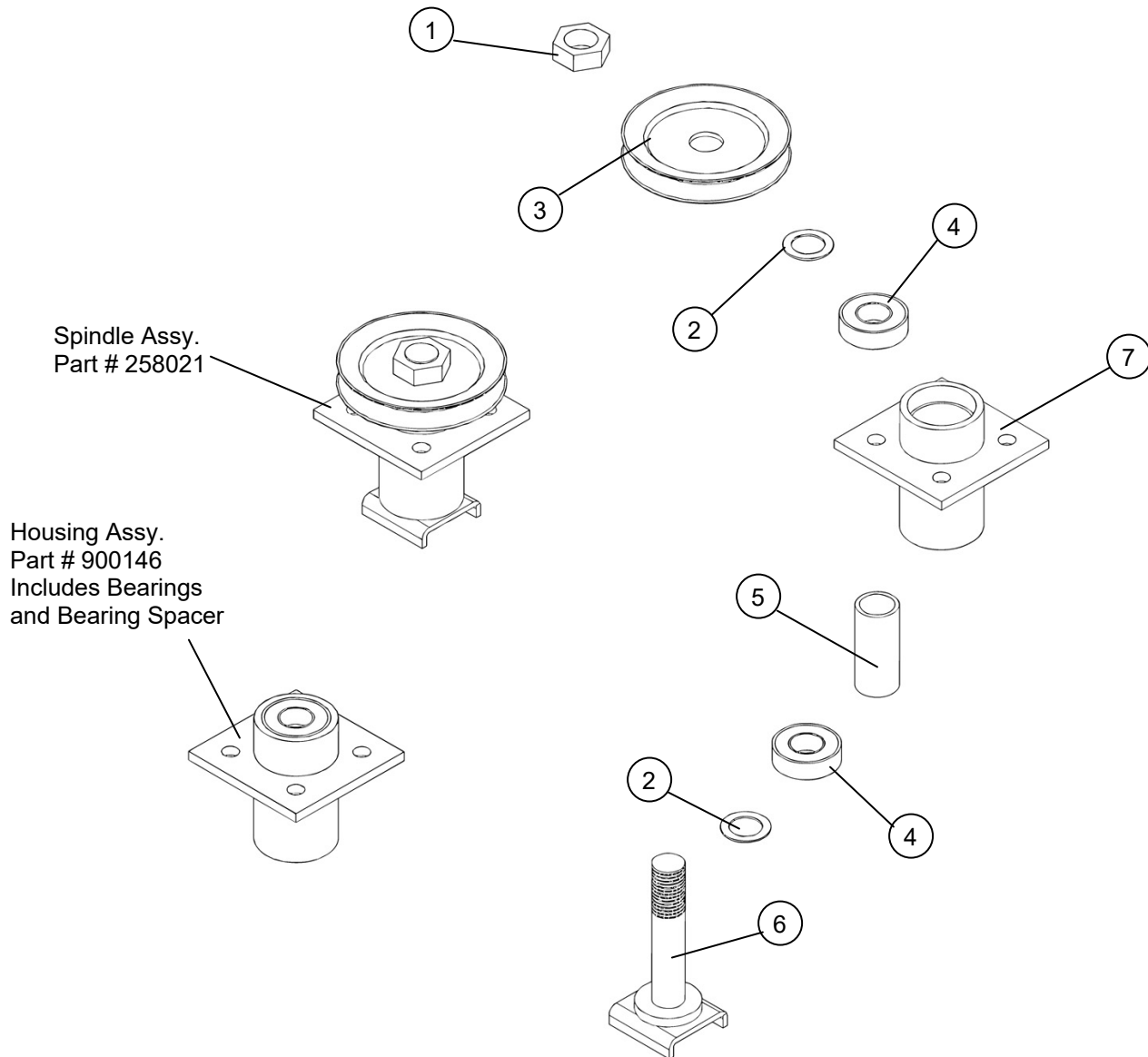


<u>Item</u>	<u>Part #</u>	<u>Description</u>	<u>Cost</u>
1	202040	Hex Head Bolt 3/8" x 1-1/2" Long	\$0.36
2	204002	Eye Bolt 5/16" x 4" Usable Length	\$3.75
3	212001	Hex Nut 5/16"	\$0.03
4	212002	Hex Nut 3/8"	\$0.06
5	214002	Lock Washer 3/8"	\$0.03
6	214005	Standard Flat Washer 3/8"	\$0.06
7	214006	Standard Flat Washer 1/2"	\$0.09
8	215000	Cotter Pin, .156" x 1.00" Long	\$0.06
9	225000	Compression Spring, 1.50" Long x 1-3/32" O.D. x .135" Wire dia.	\$3.57
10	241001	Flat Idler, 4" O.D. x 3/8" Hole (Replaced with Steel)	\$15.63
11	277004	Tube Spacer - Nylon 3/4" Long	\$0.18
12	900040	Idler Arm Assy. (Includes Bronze Bearing)	\$15.47
	243000	Bronze Bearing, 1/2" I.D. x 3/4" O.D. x 1.50" Long	\$3.93

PARTS BREAKDOWN FOR SPINDLE ASSY. (PART # 258021)

Note: Models with serial #'s ranging from (ignore the first two digits) xx07013 and greater but less than xx97058 were built with Spindle Assy. Part # 258021.

Note: If the serial number on your mower does not fall in the range listed above please see the following page (Spindle Assy. Part # 258013) to determine which spindle assy. is available for your mower.

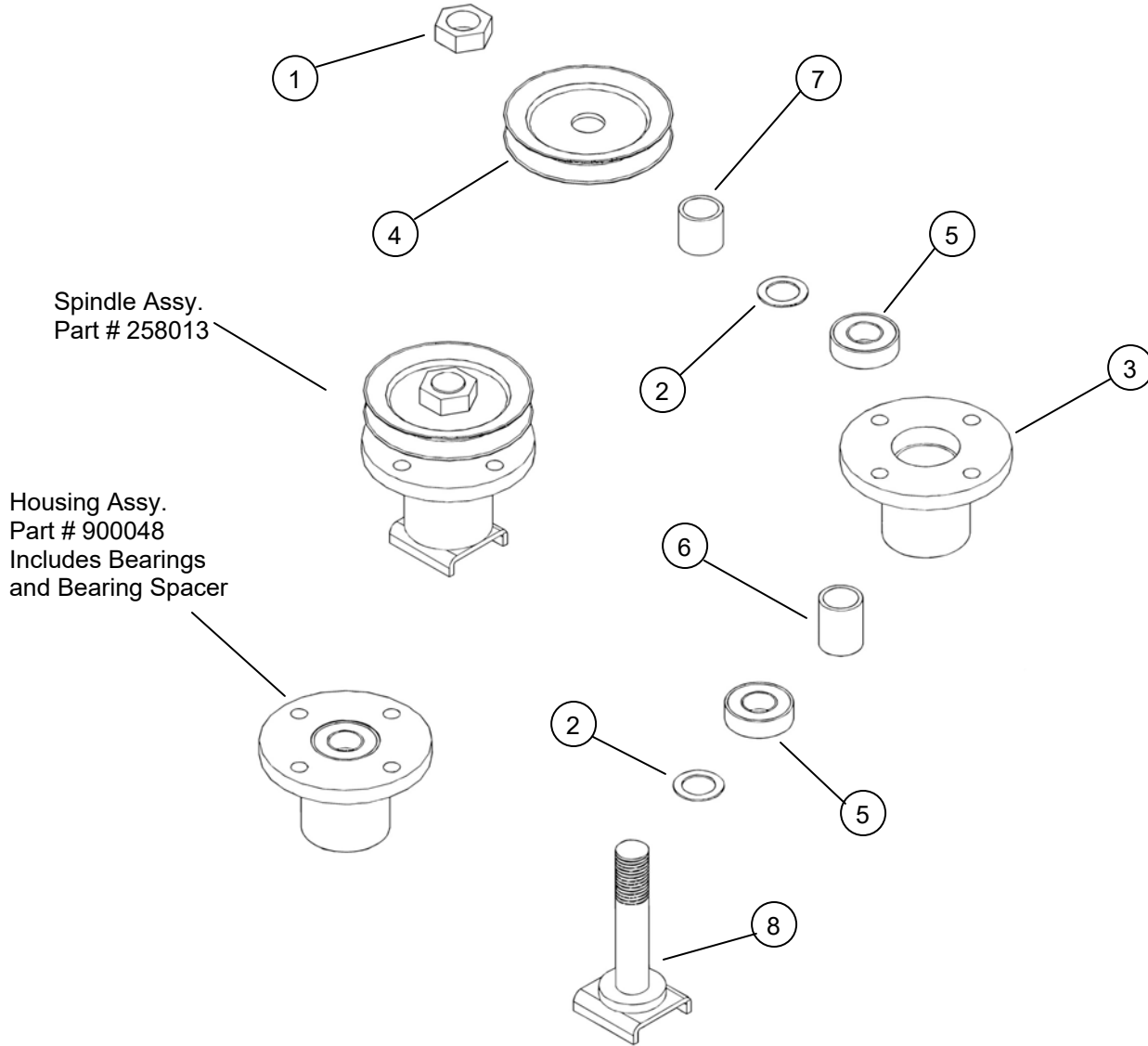


<u>Item</u>	<u>Part #</u>	<u>Description</u>	<u>Cost</u>
1	212010	Hex Jam Nut 1.00" - 14NF	\$1.23
2	214014	Machinery Washer 1.00" I.D. x 18 GA Thick	\$0.21
3	241007	"V" Sheave 5.25" Dia. - 25 mm Bore	\$26.07
4	243003	Bearing 6205 - 2RST	\$9.60
5	600235	Bearing Spacer	\$9.00
6	900045	Spindle Shaft	\$32.55
7	900145	Spindle Hub (Not Sold Separately, Purchase 900146)	~
	900146	Replacement Housing Assy.	\$81.06
	258021	Replacement Spindle Assy.	\$134.49

PARTS BREAKDOWN FOR SPINDLE ASSY. (PART # 258013)

Note: Models with serial #'s ranging from (ignore the first two digits) xx97058 to xx98141 were originally built with Spindle Assy. Part # 258010. Replacement parts no longer exist for Spindle Assy. Part # 258010. Replace with Spindle Assy. Part # 258013

Note: Models with serial #'s ranging from (ignore the first two digits) xx98147 to xx99169 and xx00009 to xx06203 were originally built with Spindle Assy. Part # 258013. Models with serial #'s ranging from xx00009 to xx06203 can be upgraded to Spindle Assy. Part # 258021.

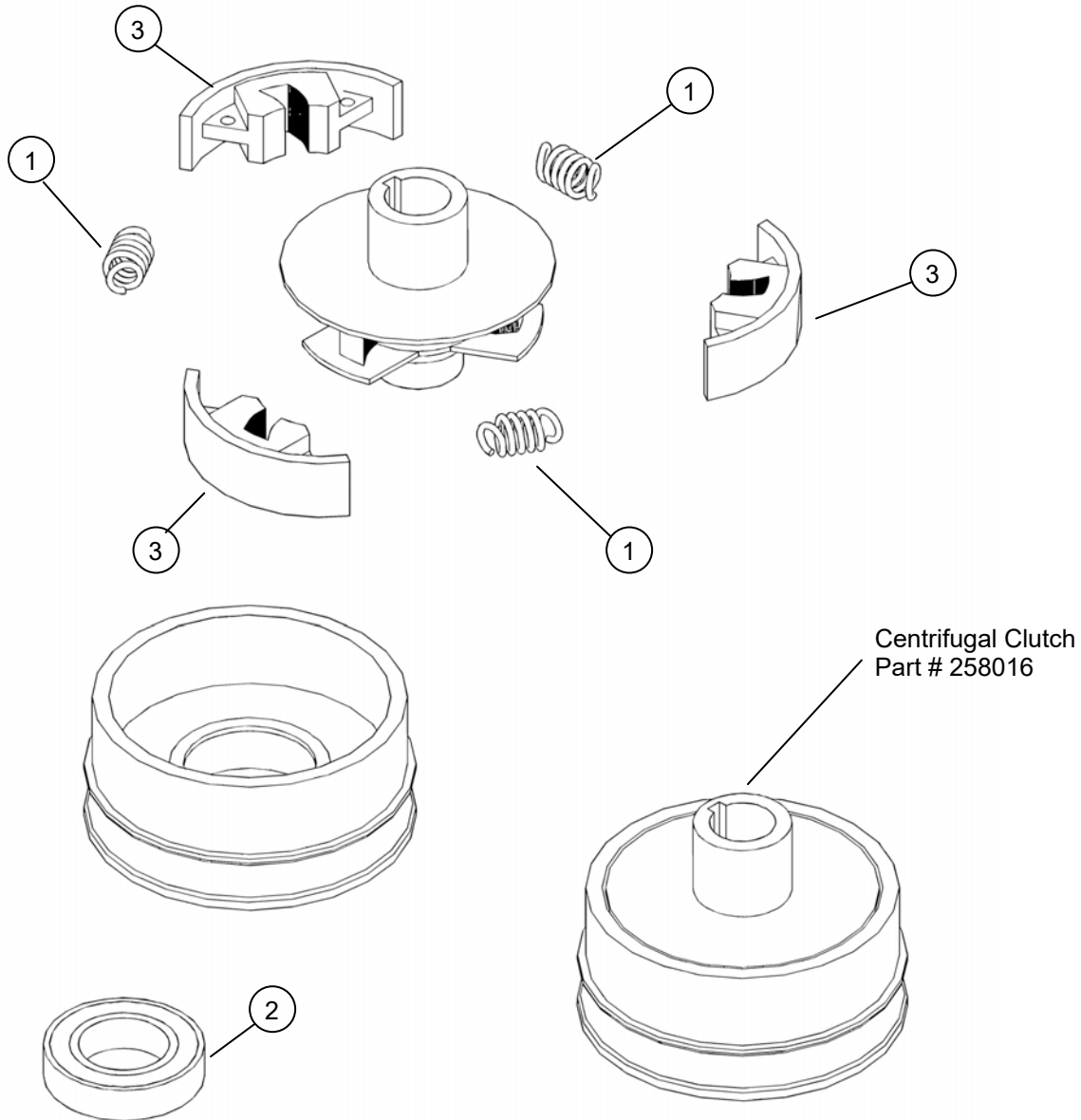


<u>Item</u>	<u>Part #</u>	<u>Description</u>	<u>Cost</u>
1	212010	Hex Jam Nut 1.00" - 14NF	\$1.23
2	214014	Machinery Washer 1.00" I.D. x 18 GA Thick	\$0.21
3	231001	Spindle Hub (Not Sold Separately, Purchase 900048)	~
4	241007	"V" Sheave 5.25" Dia. - 25 mm Bore	\$26.07
5	243003	Bearing 6205 - 2RST	\$9.60
6	600086	Bearing Spacer	\$4.50
7	600087	Pulley Spacer	\$2.80
8	900045	Spindle Shaft	\$32.55
	900048	Replacement Housing Assy. (Can be Upgraded to Part # 900146)	\$42.96
	258013	Replacement Spindle Assy. (Can be Upgraded to Part # 258021)	\$92.01

PARTS BREAKDOWN FOR CENTRIFUGAL CLUTCH (PART # 258007 AND 258016)

Clutch Part #258007 - (For Models C60K, H60T, H60H, C60H & H60K with the following seven digit serial numbers (ignore the first two digits)) (xx95032 – xx99171) or (xx00001 – xx04168)

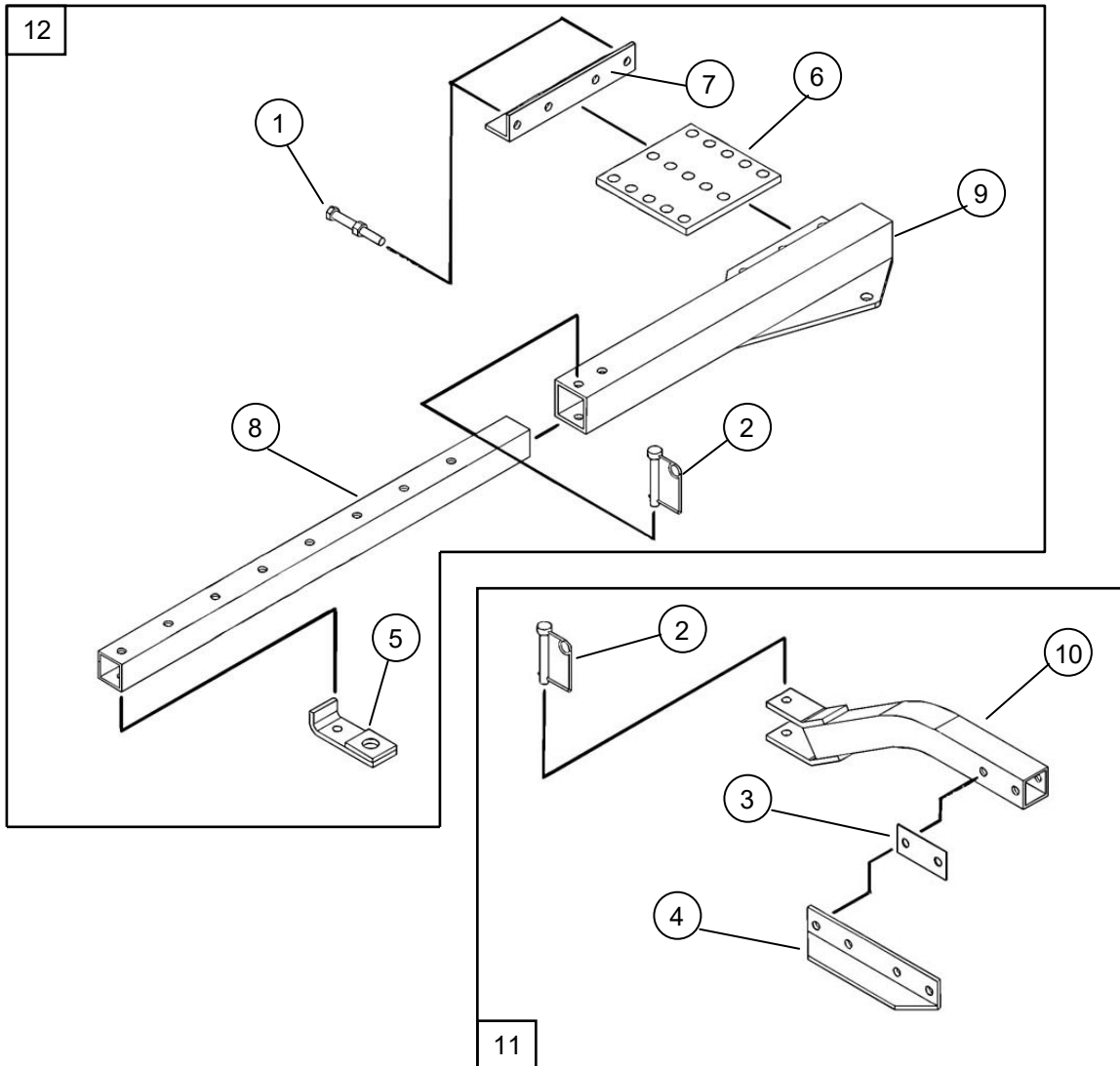
Clutch Part #258016 - (For Models C60K, H60T, H60B, H60H & C60H with the following seven digit serial numbers (ignore the first two digits)) (xx04179 – any serial # higher but less than xx95032)



<u>Item</u>	<u>Part #</u>	<u>Description</u>	<u>Cost</u>
1	225001	Spring, 1850 RPM Engagement (White) for 258007 Clutch	\$8.13
1	225004	Spring, 1850 RPM Engagement (Blue) for 258016 Clutch	\$8.13
2	243004	Bearing	\$12.69
3	258005	Clutch Shoe for 258007 Clutch	N/A
3	258017	Clutch Shoe for 258016 Clutch	N/A
		Note: This is a steel-on-steel clutch. If the clutch shoes or worn out the clutch needs to be replaced.	
	258007	Replacement Clutch Assy. (Upgrade to 258016 Clutch Assy.)	~
	258016	Replacement Clutch Assy.	\$255.48

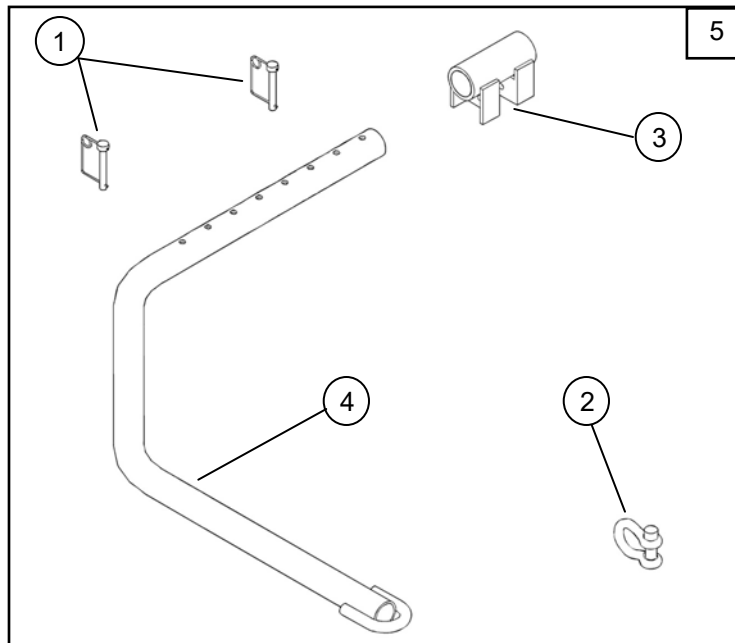
LAWN & GARDEN HITCH PARTS

(PART #'s 900013 & 900028)



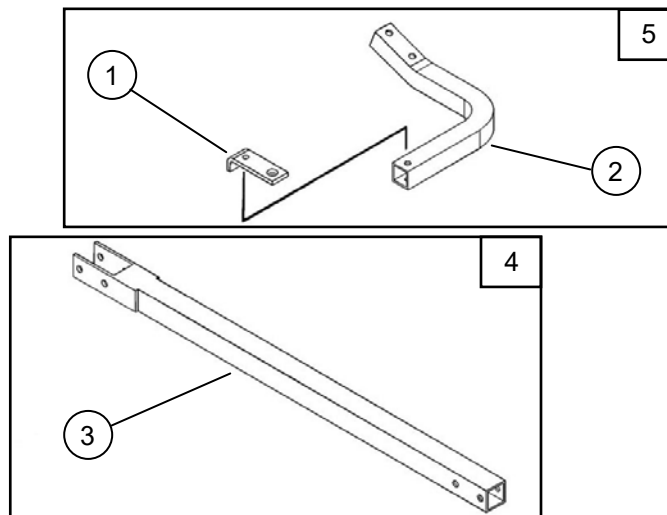
<u>Item</u>	<u>Part #</u>	<u>Description</u>	<u>Cost</u>
1	202135	Hex Head Bolt, 3/8" x 3" Fully Threaded	\$0.78
2	216006	Wire Lock Pin, 3/8" x 2-1/4" Opening	\$5.79
3	600001	Spacer	\$3.08
4	600002	Tongue Pivot Angle	\$9.18
5	900050	Hitch Draw Bar	\$7.32
6	600044	Hitch Adaptor Plate	\$16.17
7	600009	Hitch Stop Angle	\$9.63
8	600043	Hitch Extension	\$24.81
9	900026	Telescope Hitch	\$41.67
10	900007	Short Tongue	\$25.41
11	900013	Short Tongue Assy.	\$40.00
12	900028	Hitch Assy. - Telescoping (Replaces Hitch Assy. 900014)	\$95.00

ATV TONGUE PARTS (PART # 900084)



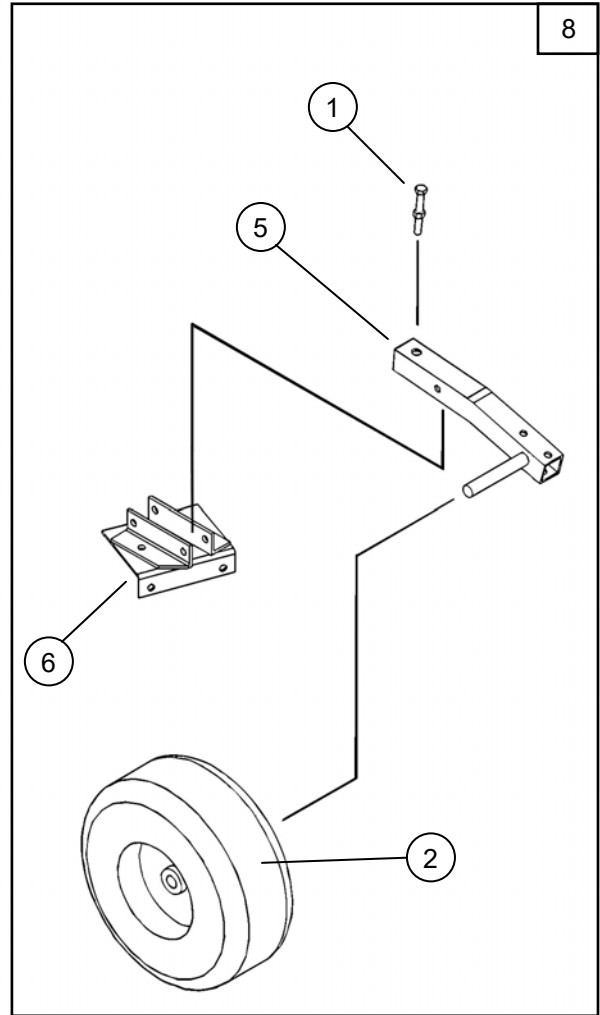
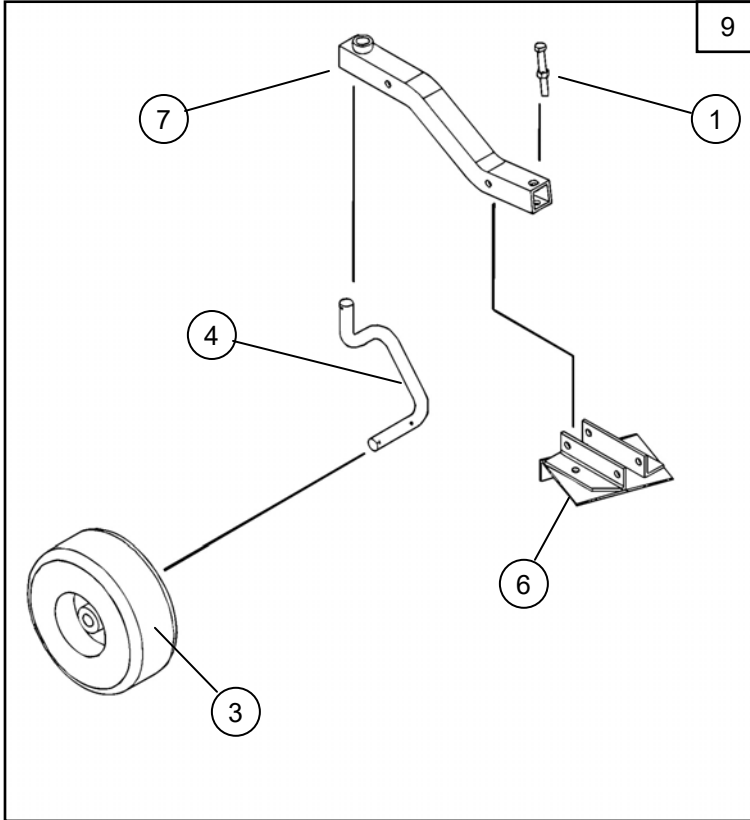
<u>Item</u>	<u>Part #</u>	<u>Description</u>	<u>Cost</u>
1	216002	Wire Lock Pin .31" X 2.50"	\$5.97
2	216009	Screw Pin Shackle Clevis	\$10.50
3	900057	Hitch Pivot	\$39.15
4	900082	Tongue	\$66.60
5	900084	ATV Tongue Assy.	\$110.00

OPTIONAL HITCH PARTS (PART #'s 900008 & 900009)



<u>Item</u>	<u>Part #</u>	<u>Description</u>	<u>Cost</u>
1	600006	Hitch Flat (5/16" Mounting Hole)	\$3.43
2	600020	Rear Hitch Tube (Replace with Rear Hitch Assy. 900009)	~
3	900000	Long Tongue Extension (Replace with Long Tongue Assy. 900008)	~
4	900008	Long Tongue Assy.	\$24.00
5	900009	Rear Hitch Assy.	\$15.00

OPTIONAL FLOATATION KIT PARTS (PART #'s 003902 & 003904)



<u>Item</u>	<u>Part #</u>	<u>Description</u>	<u>Cost</u>
1	202135	Hex Head Bolt (3/8" x 3" Fully Threaded)	\$0.78
2	226001	Offset Wheel Assy. (13/500 x 6, 2 ply turf)	\$60.03
	243008	Precision Sealed Wheel Bearings (1-3/8 O.D. x 3/4" I.D.)	\$4.30
3	226002	Centered Wheel Assy. (9/3.50 x 4, Flat Proof Urethane Foam)	\$55.44
	243008	Precision Sealed Wheel Bearings (1-3/8 O.D. x 3/4" I.D.)	\$4.30
4	600059	Caster Axle	\$20.85
5	900005	Rear Axle	\$28.83
6	900020	Wheel Support	\$32.31
7	900021	Caster Support	\$53.69
8	003902	Rear Floatation Kit	\$90.00
9	003904	Front Floatation Kit	\$120.00

MISCELLANEOUS PARTS

AIR FILTERS, OIL FILTERS, BATTERY ETC.

<u>Part #</u>	<u>Description</u>	<u>Cost</u>
257500	Oil Filter, Kohler (12-050-01-S) - Used on 12.5HP Kohler Command Engines (H60K)	\$9.79
257501	Air Filter (Includes Foam Pre-Cleaner), Kohler (12-883-05-S1) - Used on 12.5HP Kohler Command Engines (H60K)	\$15.45
257503	Oil Filter, Kohler (52-050-02-S) - Replace with 257500	~
257510	Air Filter (Includes Foam Pre-Cleaner), Honda (17211-ZF5-V01) - Used on 13HP Honda Engines (H60H)	\$7.98
257511	Air Filter (Filter Only Use 257512 Also), Briggs (698413) - Used on 13HP Briggs Intek (H60B-13HP)	\$12.75
257512	Pre-Cleaner (Use With 257511 Air Filter), Briggs (697292) - Used on 13HP Briggs Intek (H60B-13HP)	\$4.20
257513	Air Filter (Filter Only Use 257514 Also), Briggs (795115) - Used on 17.5HP Briggs Intek (H60B-17.5HP)	\$13.45
257514	Pre-Cleaner (Use With 257513 Air Filter), Briggs (697015) - Used on 17.5HP Briggs Intek (H60B-17.5HP)	\$4.30
257515	Air Filter (Canister Style), Briggs (591334 was796031) - Used on 19.5HP Briggs Intek (H60B-19.5HP)	\$11.95
257516	Oil Filter, Briggs (696854, Higher Grade Yellow) - All Briggs Models With Oil Filter	\$10.30
257526	Oil Filter, Tecumseh (36563) - Used on 13-13.5HP Tecumseh Enduro Engines	\$9.95
257527	Air Filter (Filter Only Use 257528 Also), Tecumseh (36356) - Used on 13-13.5HP Tecumseh Enduro Engines	\$17.75
257528	Pre-Cleaner (Use With 257527 Air Filter), Tecumseh (36357) - Used on 13-13.5HP Tecumseh Enduro Engines	\$3.75
257530	Air Filter (Filter Only Use 257531 Also), Briggs (793569) - Used on 19HP Briggs Professional Engines	\$15.85
257531	Pre-Cleaner (Use With 257530 Air Filter), Briggs (793685) - Used on 19HP Briggs Professional Engines	\$3.65
264004	Battery (12V AGM Sealed)	\$64.36
277042	Spare Key for Indak Ignition Switches (Used on 264001 & 264010)	\$1.39

Note: Call for Tecumseh Air Filters and Oil Filters that are not listed

OPTIONAL STARTER CABLE PARTS (Models Without a Battery Box)

<u>Part #</u>	<u>Description</u>	<u>Cost</u>
235005	Starter Terminal (1/4"- 20 Thread, Male End)	\$4.00
235006	Starter Cable (16' Long, Includes Female Plug)	\$31.84
235013	Starter Terminal (5/16" - 24 NF Thread, Male End)	\$4.00
900015	Starter Cable Assy. (16' Long, Includes Wrap Up Strap and Mounting Rivet)	\$35.25