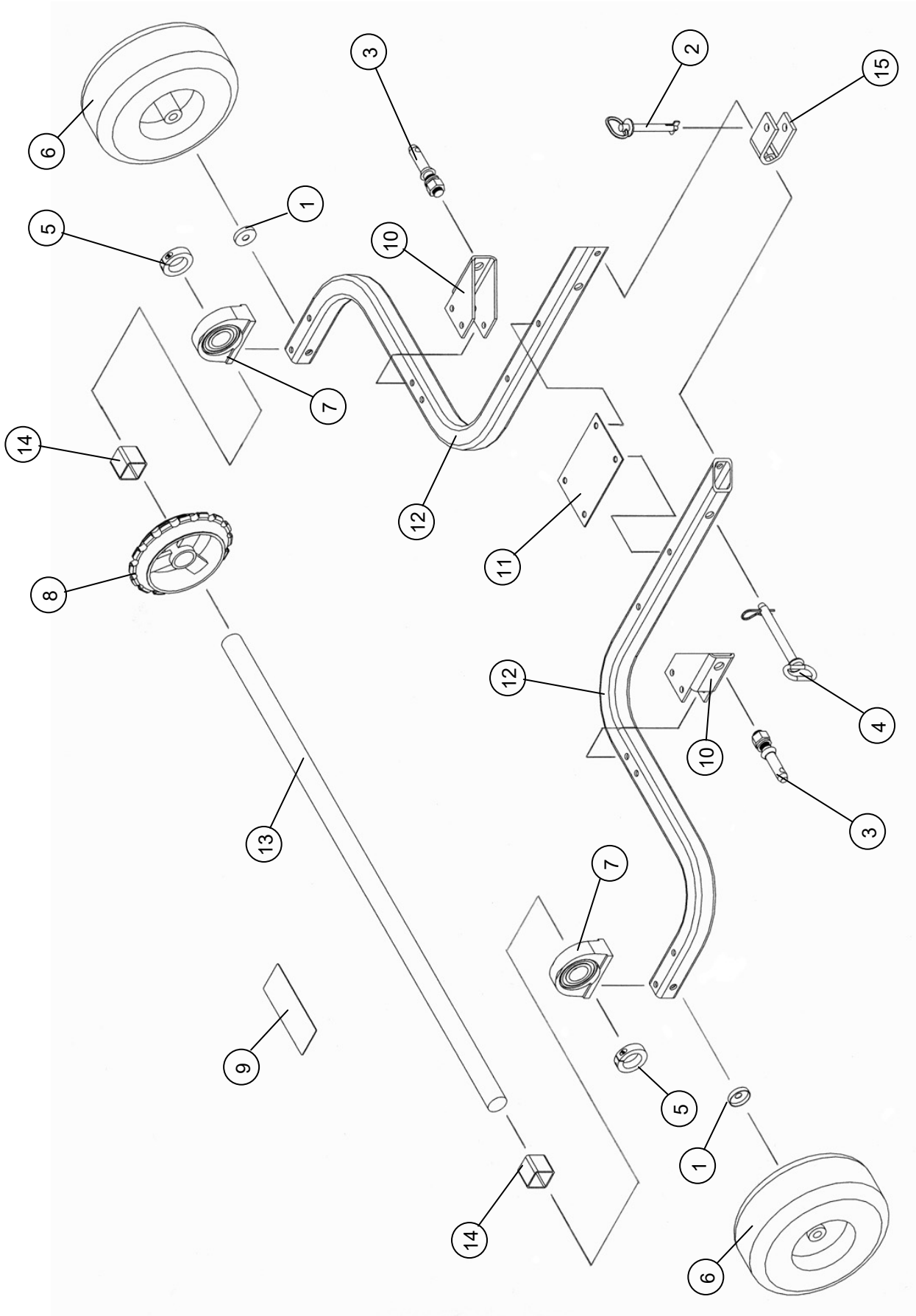


# **MODELS TP2148, TP2760 & TP3272**

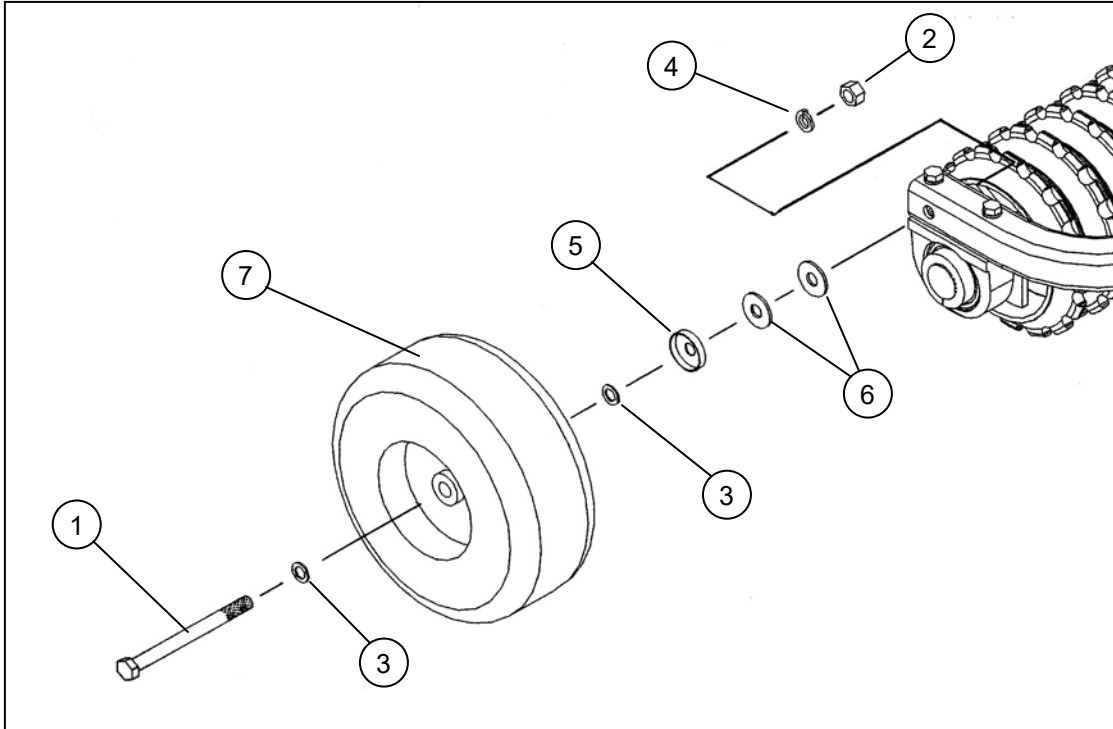
(See drawings below for additional parts)

<b><u>Item</u></b>	<b><u>Part #</u></b>	<b><u>Description</u></b>	<b><u>Cost</u></b>
1	214021	Cup Washer - (Wheel Kit Only)	\$1.23
2	216012	Tension Lock Pin (5/8" Dia. x 3-1/2" Long)	\$9.42
3	216015	Lift Arm Pin (7/8" Dia. X 5-1/2" Long) - (3-Point Kit Only)	\$4.83
4	216016	Fixed Handle Hitch Pin (3/4" Dia. X 7-1/4" Long) - (3-Point Kit Only)	\$7.44
5	222013	Single Split Collar (1.75" I.D. x .69" Thick)	\$10.53
6	226001	Offset Wheel Assy., Pneumatic Turf Tread 2 Ply (13/500 x 6) - (Wheel Kit Only)( <i>Wheel Assy. Drawing Below</i> )	~
7	243012	Tapped Pillow Block Bearing (45mm Bore)	\$43.53
8	259007	Packer Wheel (1-3/4" Shaft, 9-1/2" Dia.)	\$16.00
9	275018	Till-Ease Name Decal	\$2.76
9	275019	Kunz Decal	\$1.86
10	500053	3-Point Bracket - (3-Point Kit Only)	\$12.93
11	500054	Connector Plate	\$7.98
12	500055	Cultipacker Frame - Model TP3272	\$83.91
12	500058	Cultipacker Frame - Model TP2148	\$63.06
12	500061	Cultipacker Frame - Model TP2760	\$79.71
13	500056	Shaft - Model TP3272	\$107.19
13	500059	Shaft - Model TP2148	\$74.49
13	500062	Shaft - Model TP2760	\$91.50
14	500057	Spacer	\$3.21
15	800018	Tongue Clevis	\$14.58

# **PARTS DRAWING FOR MODELS TP2148, TP2760 & TP3272**



# WHEEL ASSEMBLY AND MOUNTING PARTS



<u>Item</u>	<u>Part #</u>	<u>Description</u>	<u>Cost</u>
1	202140	Hex Head Bolt 5/8" x 7.5"	\$5.04
2	212013	Hex Nut - 5/8"	\$0.21
3	214018	Machinery Washer 5/8" I.D. x 1" O.D.	\$0.12
4	214020	Lock Washer - 5/8"	\$0.15
5	214021	Cup Washer	\$1.23
6	214029	Std. Flat Washer - 5/8"	\$0.21
7	226001	Offset Wheel Assy., (13/500 x 6, 2 Ply Turf) (Includes Tire, Rim & Bearings)	\$60.03
	243007	Wheel Bearing-Precision Sealed (1-3/8" O.D. x 5/8" I.D.)	\$3.45
	600283	Wheel Bearing Spacer	\$3.00