

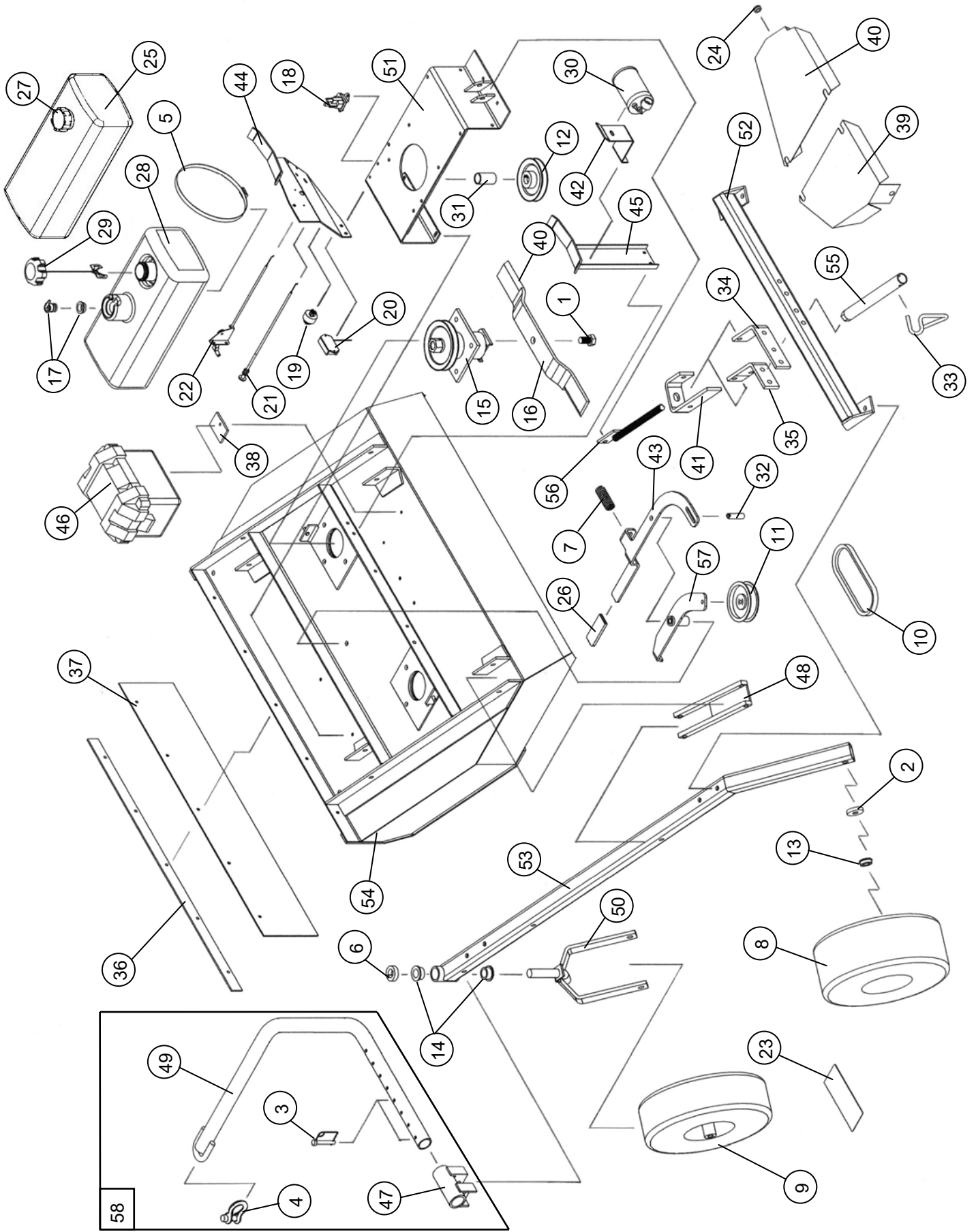
MODELS MR44B, MR44K, MR44V & MR44BC

(See drawings below for additional parts)

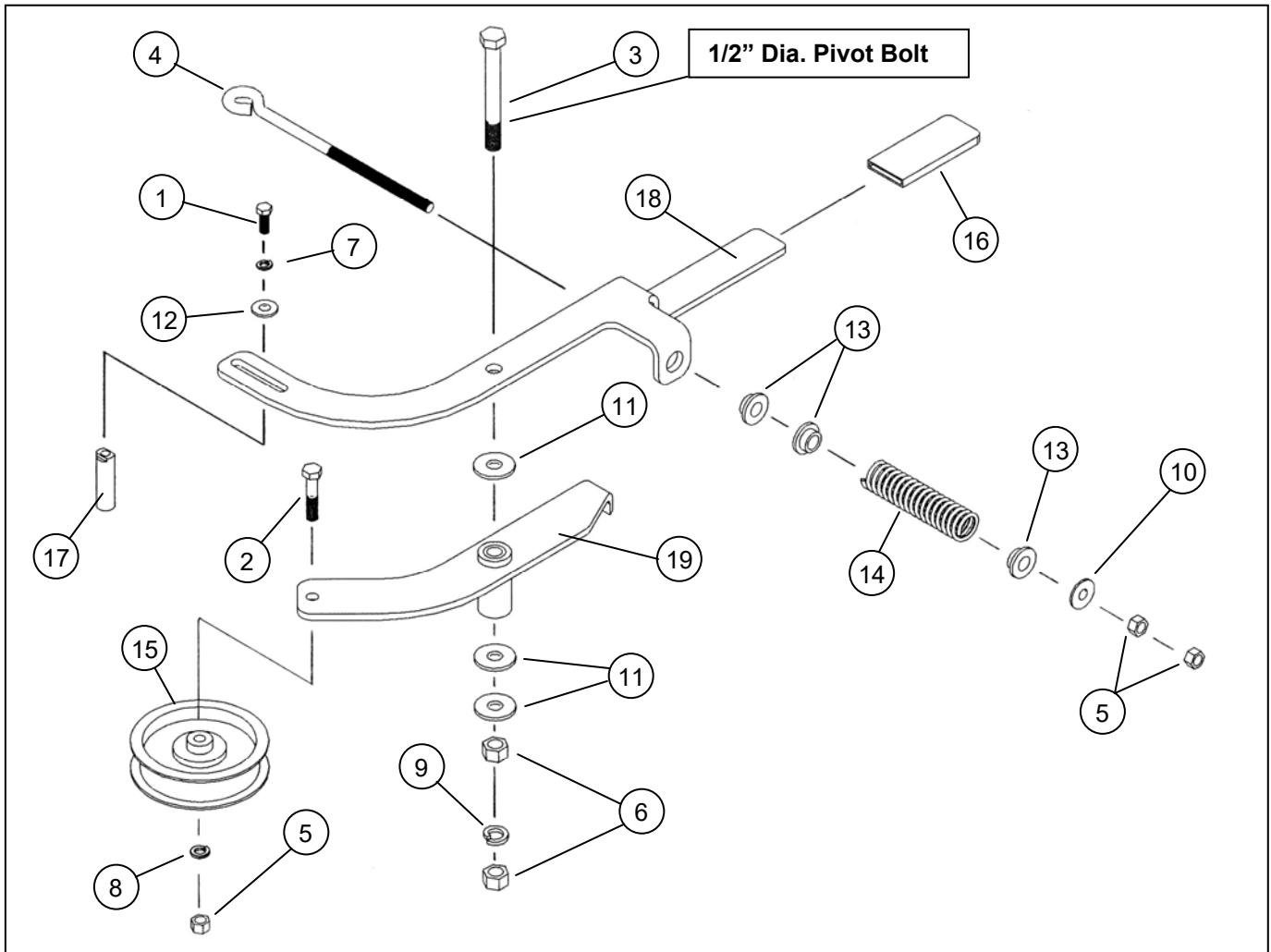
<u>Item</u>	<u>Part #</u>	<u>Description</u>	<u>Qty.</u>
1	202141	Blade Bolt (3/4"-16NF x 1-1/4")	2
2	214021	Cup Washer (For Smaller 1-3/8" O.D. Bearing)	6
2	214030	Cup Washer (For Larger 2" O.D. Bearing)	6
3	216002	Wire Lock Pin, .31" x 2.50"	2
4	216009	Screw Pin Shackle Clevis	1
5	222005	Worm Drive Hose Clamp (7-7/8" to 9-1/8" Clamping Dia.)	2
6	222012	Single Split Collar (1" I.D. x 1/2" Thick)	2
7	225005	Compression Spring, 4.50" Long x 1-3/32" O.D. x .125" Wire dia. (Clutch Drawing Below)	1
8	226012	Offset Wheel Assy. (15/600 x 6, 4 Ply Turf) (See Wheel Assy. Drawing Below)	2
9	226013	Centered Wheel Assy. (5.30/4.50 x 6, 4 Ply Stud) (See Wheel Assy. Drawing Below)	2
10	238007	"V" Belt B74K 77" O.C.	1
11	241001	Flat Idler, 4" O.D. x 3/8" Hole	1
12	241010	"V" Sheave, 5" Dia. 1" Bore	1
13	243007	Precision Sealed Wheel Bearings (1-3/8" O.D. x 5/8" I.D.)	8
13	243015	Precision Sealed Wheel Bearings (2" O.D. x 1" I.D.)	8
14	243010	Plastic Bearing (1-3/8" O.D. x 1.00" I.D., Flange, Nylon)	4
15	258023	Spindle Assy. (See Spindle Drawing Below)	2
16	259008	Offset Mower Blade, 2-1/2" Wide, 23" Long, 3/4" Hole	2
17	260004	Roll-Over / Fuel Vapor Valve (Includes Gromet)	1
18	264000	Solenoid	1
19	264001	Ignition Switch (MR44K)	1
19	264010	Ignition Switch (MR44B, MR44V & MR44BC)	1
20	264003	Hour/Tack Meter (Optional)	1
21	269000	Choke Control, 20" (MR44B)	1
21	269004	Choke Control, 14" (MR44K)	1
21	269010	Choke Control, 27" (MR44V & MR44BC)	1
22	269001	Throttle Control, 15" (MR44B & MR44K)	1
22	269009	Throttle Control, 27" (MR44V & MR44BC)	1
23	275001	Control Panel Decal, Starting Instructions	1
23	275002	Warning Decal General	1
23	275003	Danger Decal, Cut Finger	2
23	275007	Warning Decal, Belt Sheild	2
23	275011	Clutch Engagement Decal	1
23	275019	Name Decal, Kunz	1
23	275021	Name Decal, AcrEase	1
23	275024	Name Decal, 44" Rough Cut	1
24	277002	Rubber Gromet	6
25	277010	Fuel Tank, 3-3/4 Gal. Plastic (Replace with 277034 and Use 277013)	~
	277041	Fuel Tank Grommet (Bottom Petcock Location)	1
26	277011	Handle Grip	1
27	277013	Gas Cap - Venting Style (For Fuel Tank 277010 and with Fuel Tank 277035 Without Vent Hose)	1
28	277034	Fuel Tank, 3 Gal. (Replaces Fuel Tank 277010)	1
		<i>Note: Fuel Tank 277034 is an EPA Certified Component . Only Replace with Fuel Tank 277034.</i>	
	277041	Fuel Tank Grommet (Bottom Petcock Location)	1
28	277040	Fuel Tank, 3 Gal. , 3-Layer (Used on 2013 Models and Newer)	1
		<i>Note: Fuel Tank 277040 is an EPA Certified Component . Only Replace with Fuel Tank 277040.</i>	
	277041	Fuel Tank Grommet (Bottom Petcock Location)	1
29	277035	Gas Cap - Audible Click/Tethered, Non-Venting (Only Use with Fuel Tanks with Vent Hose)	1
		<i>Note: Gas Cap 277035 is an EPA Certified Component . Only Replace with Gas Cap 277035.</i>	
30	277036	Carbon Canister - 300cc (California Only)	1
		<i>Note: Canister 277036 is an EPA Certified Component . Only Replace with Canister 277036.</i>	
31	600071	Spacer, 1.38" O.D. x 1.33" Wall x 2.19" Long	1

<u>Item</u>	<u>Part #</u>	<u>Description</u>	<u>Qty.</u>
32	600136	Brake Stud	1
33	600146	Crank Arm (Includes Press-on Nut)	1
34	600185	Top Long Support	1
35	600186	Top Short Support	1
36	600252	Flap Retainer Strip	1
37	600253	Safety Belting	1
38	600254	Battery Box Spacer	2
39	600264	Belt Sheild, Left	1
40	600265	Belt Sheild, Right	1
41	600268	Height Adjust Support	1
42	600291	Canister Support (California Only)	1
43	600292	Clutch Arm (Replaces 900151) (Clutch Drawing Below)	1
44	600305	Control Panel (Replaces 900023)	1
45	600306	Tank Support (Replaces 900079)	1
46	900049	Battery Box Assy.	1
	264004	Battery (12V AGM Sealed)	1
47	900058	Hitch Pivot	1
48	900061	Pivot Arm	4
49	900082	Tongue	1
50	900148	Caster Fork (Includes 1" Washers) (Replaces Caster Fork 900073, Also Requires 222012)	2
51	900150	Engine Support Bracket	1
52	900154	Upper Actuator Mount	2
53	900155	Carrier Arm	2
54	900156	Mower Deck (Call to Order)	1
55	900157	Height Adjust Nut	1
56	900158	Screw Adjuster	1
57	900180	Idler Arm Assy. (Includes Bronze Bearings) (Replaces 900153) (Clutch Drawing Below)	1
	243005	Bronze Bearing, 1/2" I.D. x 3/4" O.D. x 3/4" Long (Requires 2)	2
57	900192	Idler Arm Assy. (Includes Bronze Bearings) (With 5/8" Bore) (Clutch Drawing Below)	1
	243016	Bronze Bearing, 5/8" I.D. x 3/4" O.D. x 3/4" Long (Requires 2)	2
58	900083	ATV Tongue Assy. (Includes all Mounting Hardware and Pins)	1

PARTS DRAWING FOR MODELS MR44B, MR44K & MR44V

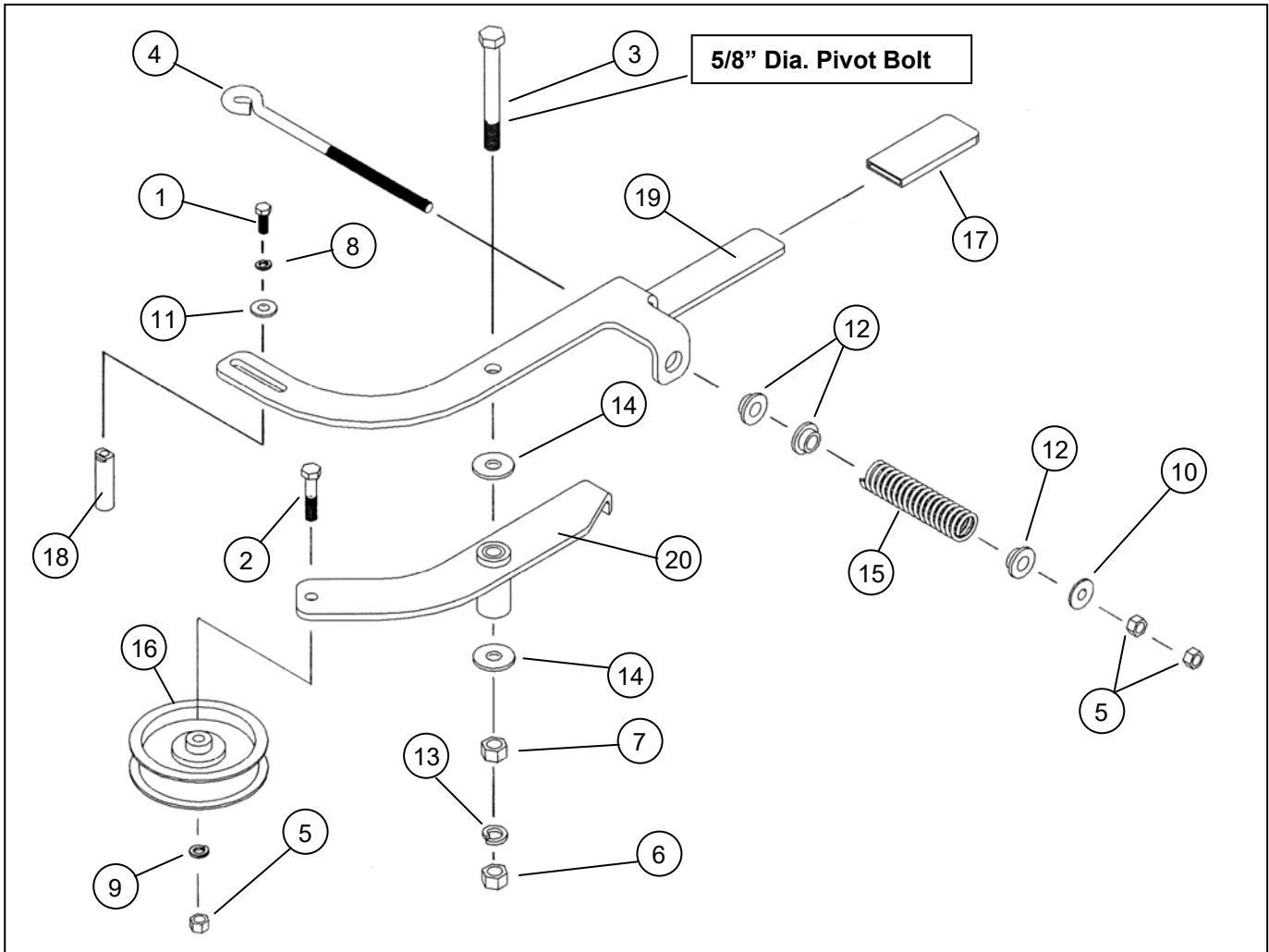


CLUTCH BLADE ENGAGEMENT PARTS (1/2" DIA. PIVOT BOLT)



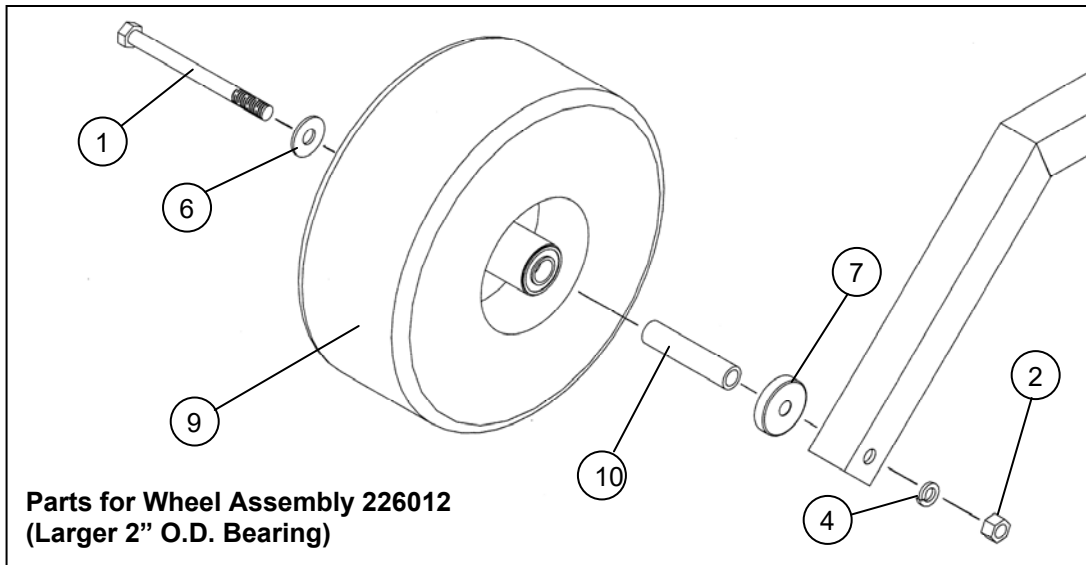
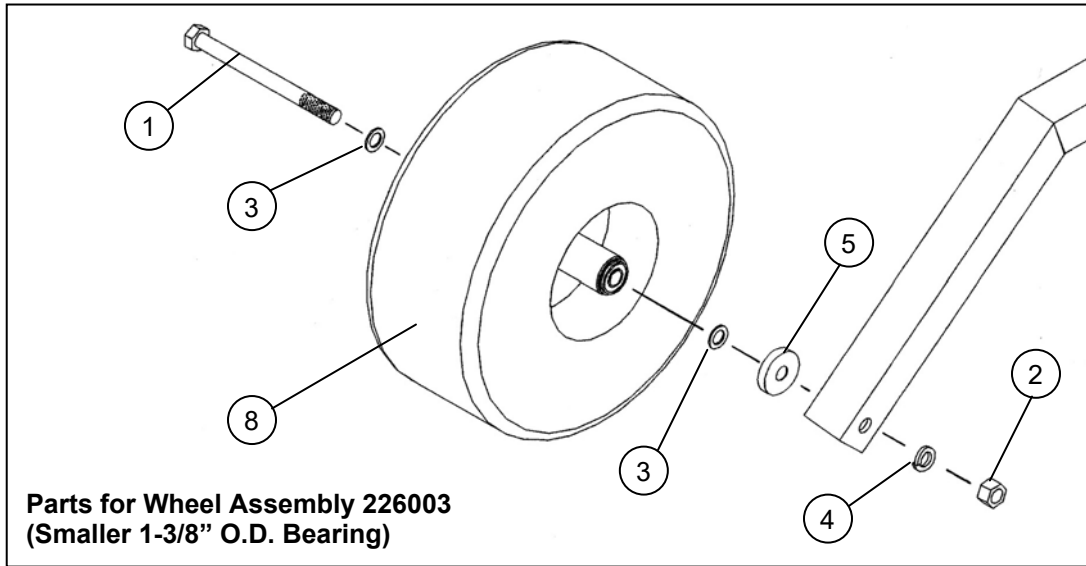
Item	Part #	Description	Qty.
1	202019	Hex Head Bolt 5/16" x 3/4" Long	1
2	202041	Hex Head Bolt 3/8" x 1-3/4" Long	1
3	202150	Hex Head Bolt 1/2" x 4-1/4" Long	1
4	204016	Eye Bolt 3/8" x 8" Usable Length	1
5	212002	Hex Nut 3/8"	3
6	212003	Hex Nut 1/2"	2
7	214001	Lock Washer 5/16"	1
8	214002	Lock Washer 3/8"	1
9	214003	Lock Washer 1/2"	1
10	214005	Standard Flat Washer 3/8"	1
11	214006	Standard Flat Washer 1/2"	3
12	214017	Standard Flat Washer 5/16"	1
13	214027	Shoulder Washer - Nylon	3
14	225005	Compression Spring, 4.50" Long x 1-3/32" O.D. x .125" Wire dia.	1
15	241001	Flat Idler, 4" O.D. x 3/8" Hole (Replaced with Steel)	1
16	277011	Handle Grip	1
17	600136	Brake Stud	1
18	600292	Clutch Arm (Replaces 900151)	1
19	900180	Idler Arm Assy. (Includes Bronze Bearings) (Replaces 900153)	1
	243005	Bronze Bearing, 1/2" I.D. x 3/4" O.D. x .75" Long (Requires 2)	2

CLUTCH BLADE ENGAGEMENT PARTS (5/8" DIA. PIVOT BOLT)



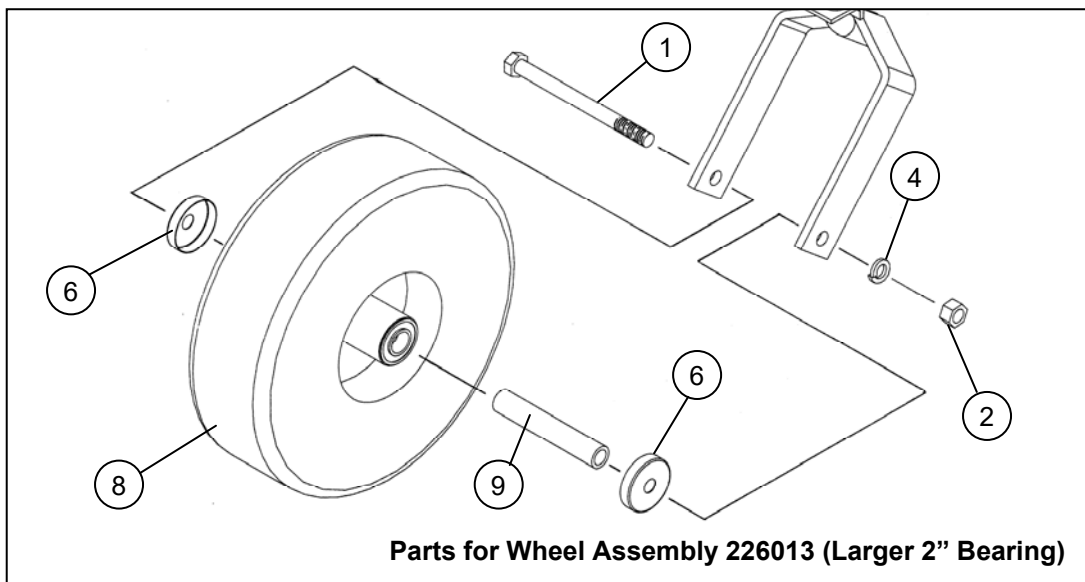
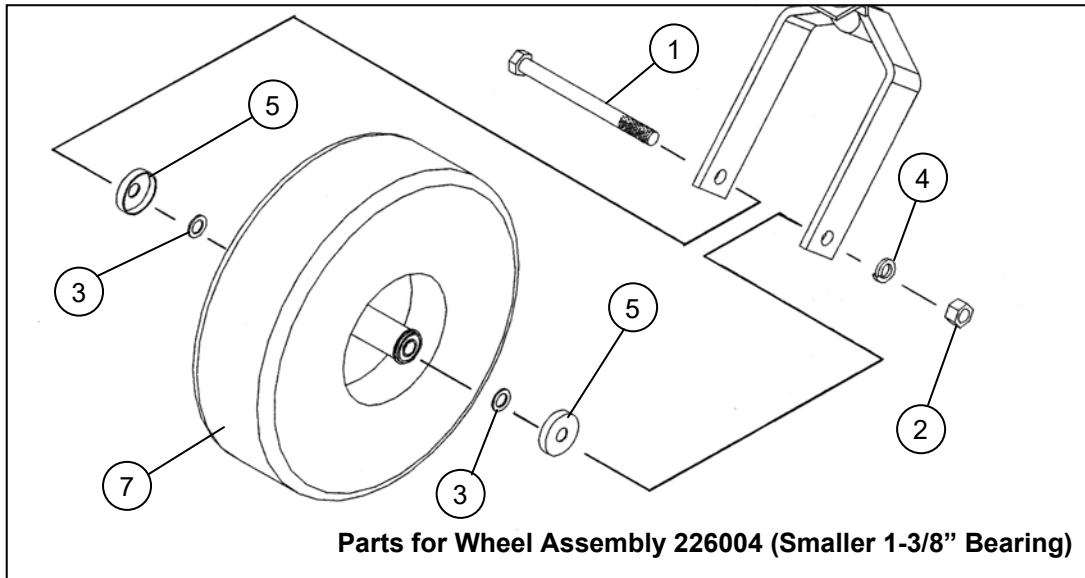
<u>Item</u>	<u>Part #</u>	<u>Description</u>	<u>Qty.</u>
1	202019	Hex Head Bolt 5/16" x 3/4" Long	1
2	202041	Hex Head Bolt 3/8" x 1-3/4" Long	1
3	202151	Hex Head Bolt 5/8" x 4-1/2" Long	1
4	204016	Eye Bolt 3/8" x 8" Usable Length	1
5	212002	Hex Nut 3/8"	3
6	212013	Hex Nut 5/8"	1
7	212021	Hex Jam Nut 5/8"	1
8	214001	Lock Washer 5/16"	1
9	214002	Lock Washer 3/8"	1
10	214005	Standard Flat Washer 3/8"	1
11	214017	Standard Flat Washer 5/16"	1
12	214027	Shoulder Washer - Nylon	3
13	214020	Lock Washer 5/8"	1
14	214029	Standard Flat Washer 5/8"	2
15	225005	Compression Spring, 4.50" Long x 1-3/32" O.D. x .125" Wire dia.	1
16	241001	Flat Idler, 4" O.D. x 3/8" Hole (Replaced with Steel)	1
17	277011	Handle Grip	1
18	600136	Brake Stud	1
19	600292	Clutch Arm (Replaces 900151)	1
20	900192	Idler Arm Assy. (Includes Bronze Bearings) (5/8" Bore)	1
	243016	Bronze Bearing, 5/8" I.D. x 3/4" O.D. x .75" Long (Requires 2)	2

REAR WHEEL ASSEMBLIES AND MOUNTING PARTS



Item	Part #	Description	Qty.
1	202140	Hex Head Bolt 5/8" x 7.5"	2
2	212013	Hex Nut - 5/8"	2
3	214018	Machinery Washer 5/8" I.D. x 1" O.D.	4
4	214020	Lock Washer - 5/8"	2
5	214021	Cup Washer (For Smaller Bearing)	2
6	214029	Standard Flat Washer - 5/8"	2
7	214030	Cup Washer (For Larger Bearing)	2
8	226003	Offset Wheel Assy. (15/600 x 6, 4 Ply Turf) (Replace with 226012)	~
	226006	Tire - Replacement (15/600 x 6, 4 Ply Turf)	2
	243007	Precision Sealed Wheel Bearings (1-3/8" O.D. x 5/8" I.D.)	4
		<i>Note: See the Miscellaneous Parts Section Below for Flatproof Tire Options.</i>	
	600301	Wheel Bearing Spacer (Used on 226003 & 226008)	2
9	226012	Offset Wheel Assy. (15/600 x 6, 4 Ply Turf) (Includes Tire, Rim, Bearing & Spanner Tube)	2
	226006	Tire - Replacement (15/600 x 6, 4 Ply Turf)	2
	243015	Precision Sealed Wheel Bearings (2" O.D. x 1" I.D.)	4
		<i>Note: See the Miscellaneous Parts Section Below for Flatproof Tire Options.</i>	
10	600308	Spanner Tube	2

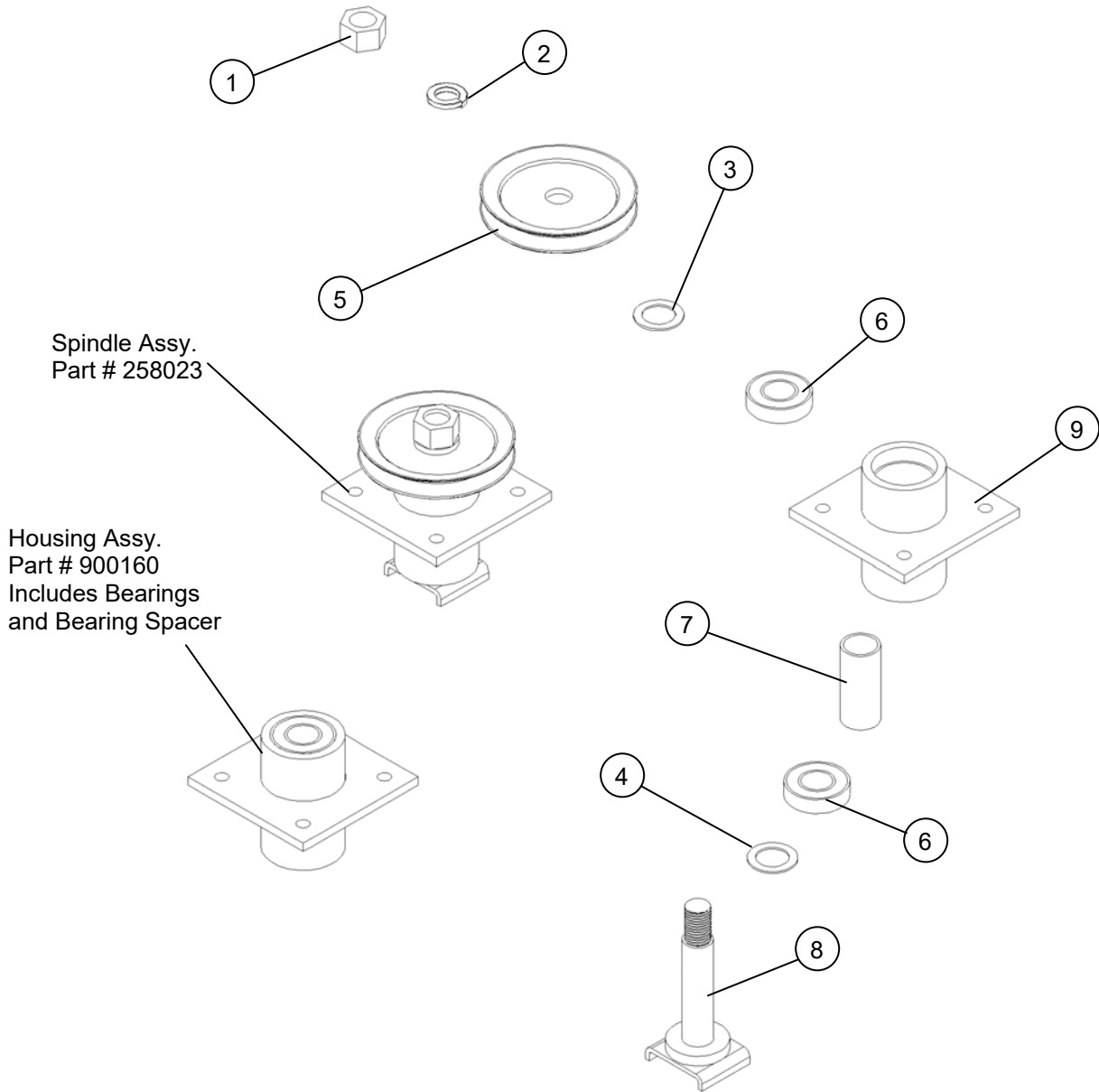
FRONT WHEEL ASSEMBLIES AND MOUNTING PARTS



Item	Part #	Description	Qty.
1	202140	Hex Head Bolt 5/8" x 7.5"	2
2	212013	Hex Nut - 5/8"	2
3	214018	Machinery Washer 5/8" I.D. x 1" O.D.	4
4	214020	Lock Washer - 5/8"	2
5	214021	Cup Washer (For Smaller Bearing)	4
6	214030	Cup Washer (For Larger Bearing)	4
7	226004	Centered Wheel Assy. (5.30/4.50 x 6, 4 Ply Stud) (Replace with 226013)	~
	226005	Tire - Replacement (5.30/4.50 x 6, 4 Ply Stud)	2
	243007	Precision Sealed Wheel Bearings (1-3/8" O.D. x 5/8" I.D.)	4
		Note: See the Miscellaneous Parts Section Below for Flatproof Tire Options.	
	600302	Wheel Bearing Spacer (Used on 226004 & 226009)	2
8	226013	Centered Wheel Assy. (5.30/4.50 x 6, 4 Ply Stud) (Includes Tire, Rim, Bearings & Spanner Tube)	2
	226005	Tire - Replacement (5.30/4.50 x 6, 4 Ply Stud)	2
	243015	Precision Sealed Wheel Bearings (2" O.D. x 1" I.D.)	4
		Note: See the Miscellaneous Parts Section Below for Flatproof Tire Options.	
9	600309	Spanner Tube	2

PARTS BREAKDOWN FOR ROUGH CUT SPINDLE ASSY.

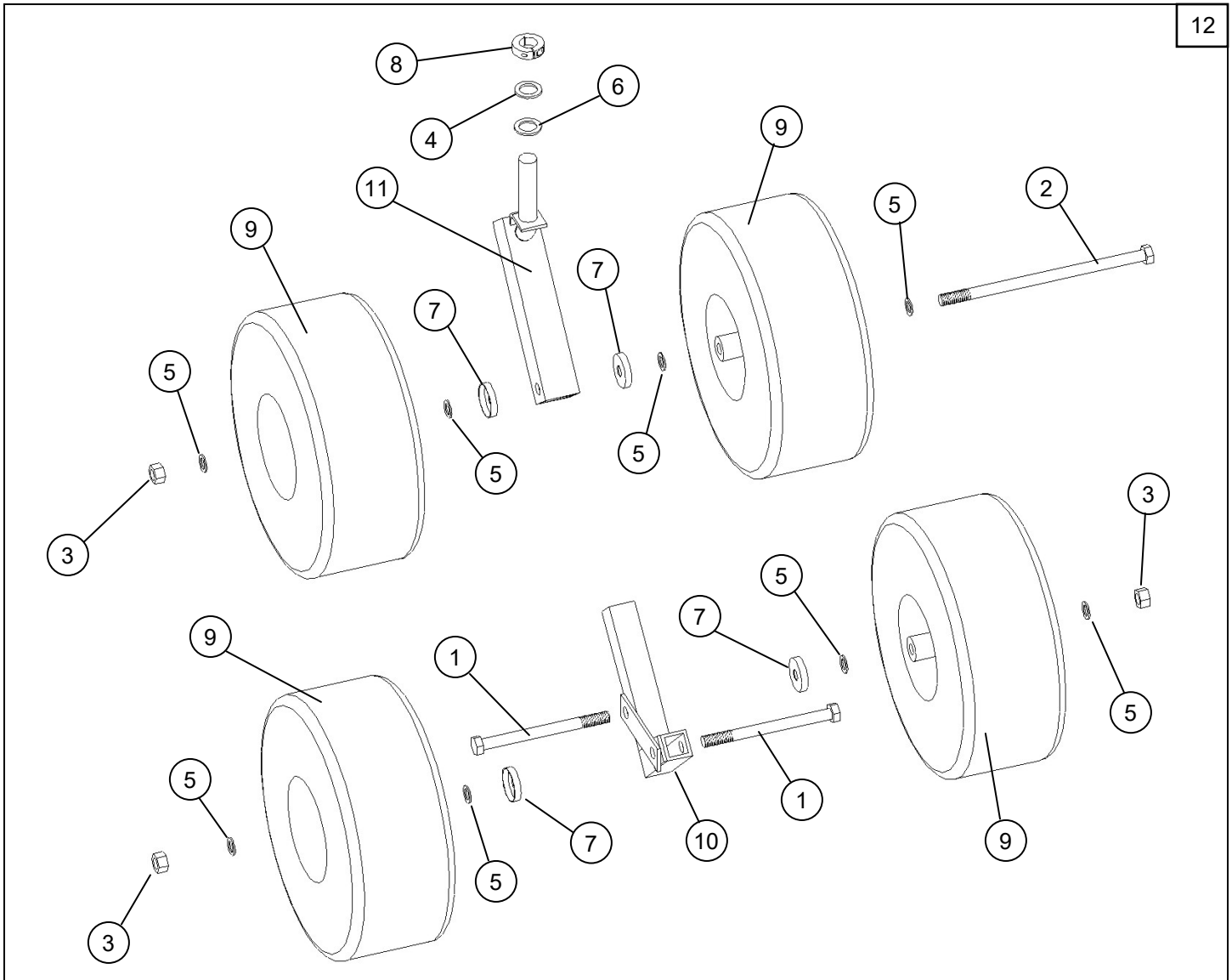
(PART # 258023)



<u>Item</u>	<u>Part #</u>	<u>Description</u>	<u>Qty.</u>
1	212009	Std. Hex Nut 1.00" - 14NF	2
2	214013	Split Lock Washer 1.00"	2
3	214014	Machinery Washer 1.00" I.D. x 18 GA Thick	2
4	214023	Machinery Washer 1.25" I.D. x 14 GA Thick	2
5	241011	"V" Sheave 5.56" Dia. - 25 mm Bore	2
6	243006	Bearing 6206 - 2RST	4
7	600271	Bearing Spacer	2
8	900075	Spindle Shaft	2
9	900159	Spindle Hub (Not Sold Separately, Purchase 900160)	~
	900160	Replacement Housing Assy.	2
	258023	Replacement Spindle Assy.	2

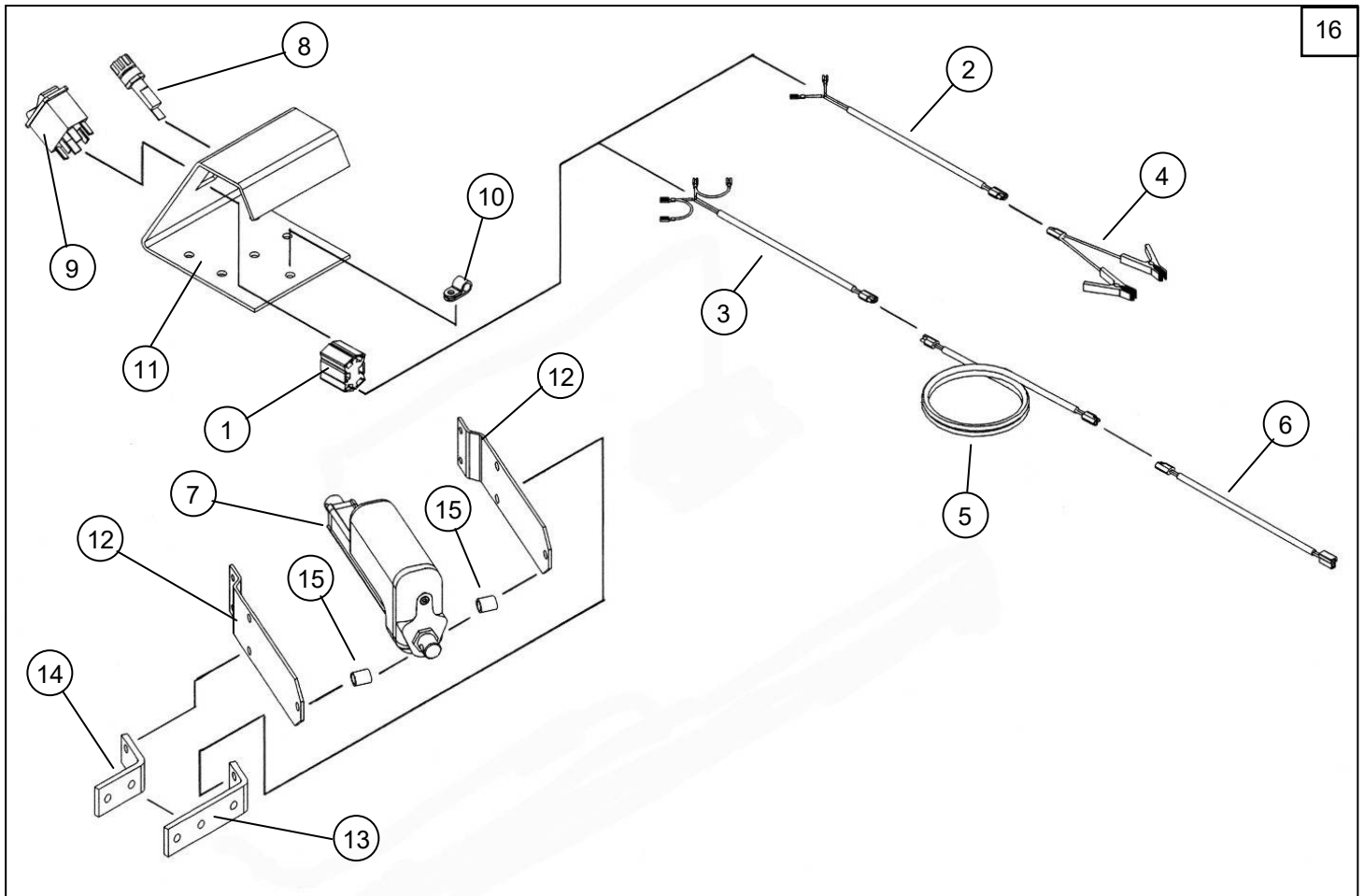
OPTIONAL WETLANDS KIT - (PART # 003905)

12



<u>Item</u>	<u>Part #</u>	<u>Description</u>	<u>Qty.</u>
1	202140	Hex Head Bolt 5/8" x 7.5"	2
2	202142	Hex Head Bolt 5/8" x 12.0"	3
3	212015	Centered Lock Nut 5/8"	5
4	214014	Machinery Washer 1" I.D. x 1.5" O.D. x 18 GA	2
5	214018	Machinery Washer 5/8" I.D. x 1" O.D.	16
6	214019	Machinery Washer 1" I.D. x 1.5" O.D. x 10GA	2
7	214021	Cup Washer	8
8	222012	Single Split Collar 1" I.D. x 1/2" Thick	2
9	226003	Offset Wheel Assy. (15/600 x 6, 4 Ply Turf) <i>(See Wheel Assy. Drawing Above)</i>	~
10	900091	Rear Tire Extension	1
11	900149	Caster	2
12	003905	Wetlands Kit	1

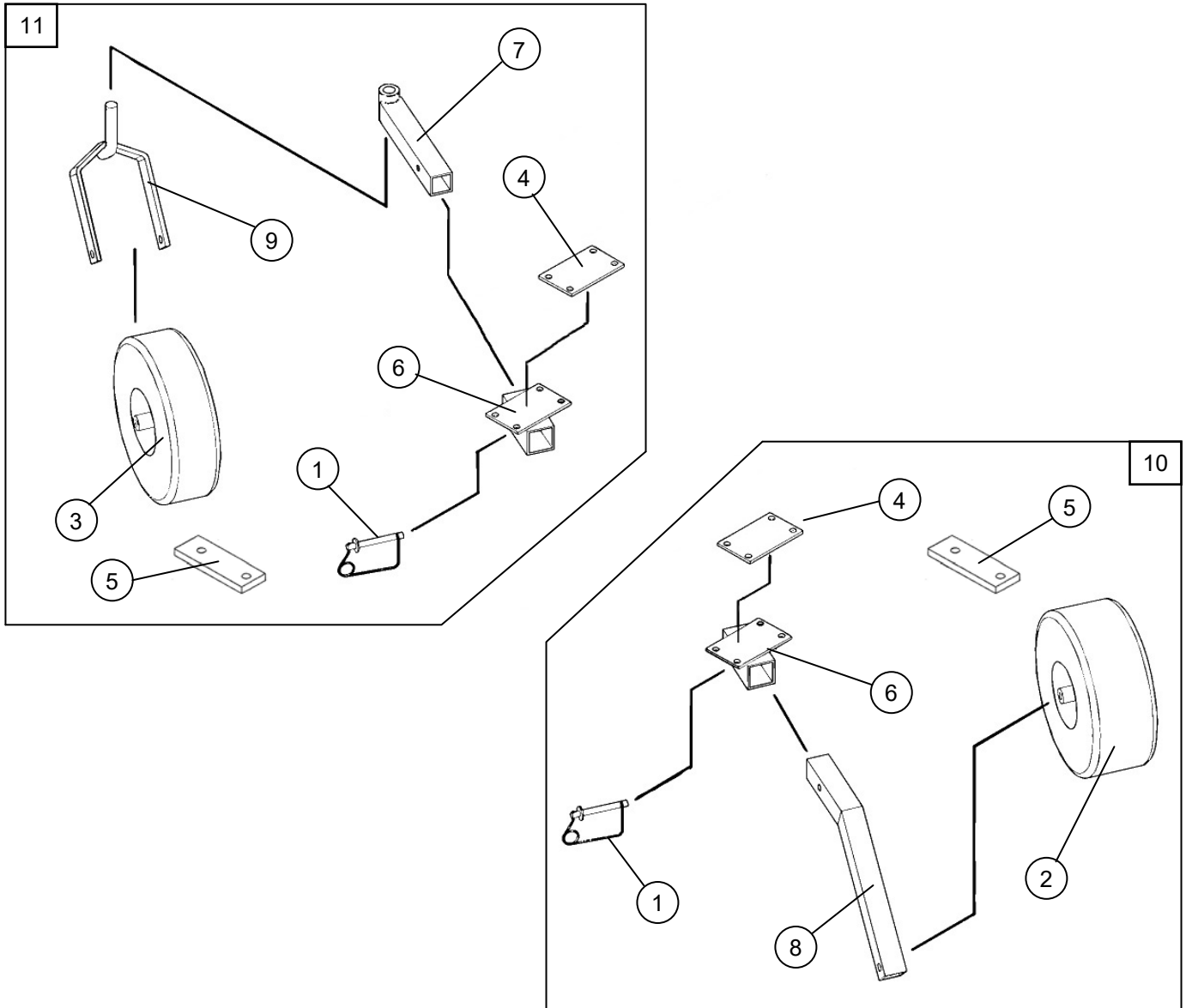
OPTIONAL ELECTRIC LIFT KIT - (PART # 003912)



16

<u>Item</u>	<u>Part #</u>	<u>Description</u>	<u>Qty.</u>
1	235061	Six Contact Socket Connector	1
2	235063	Battery Wiring Harness	1
3	235065	Wiring Harness	1
4	235066	Battery Clip Harness	1
5	235067	Extension Cable	1
6	235070	Actuator Wiring Harness Assy.	1
7	237003	Electric Linear Actuator (8" Stroke)	1
8	264006	Fuse Holder	1
	264009	Fuse (30 Amp)	1
9	264008	Rocker Switch	1
10	277030	Fixed Diameter Cable Clamp	2
11	500010	Control Panel	1
	275020	Lift Control Decal	1
12	600238	Actuator Bracket	2
13	600239	Top Long Support	1
14	600240	Top Short Support	1
15	600269	Actuator Bracket Spacer	2
16	003912	Electric Lift Kit (For 44" Rough Cut Models)	1

OPTIONAL FLOATATION KIT PARTS (PART #'s 003907 & 003908)



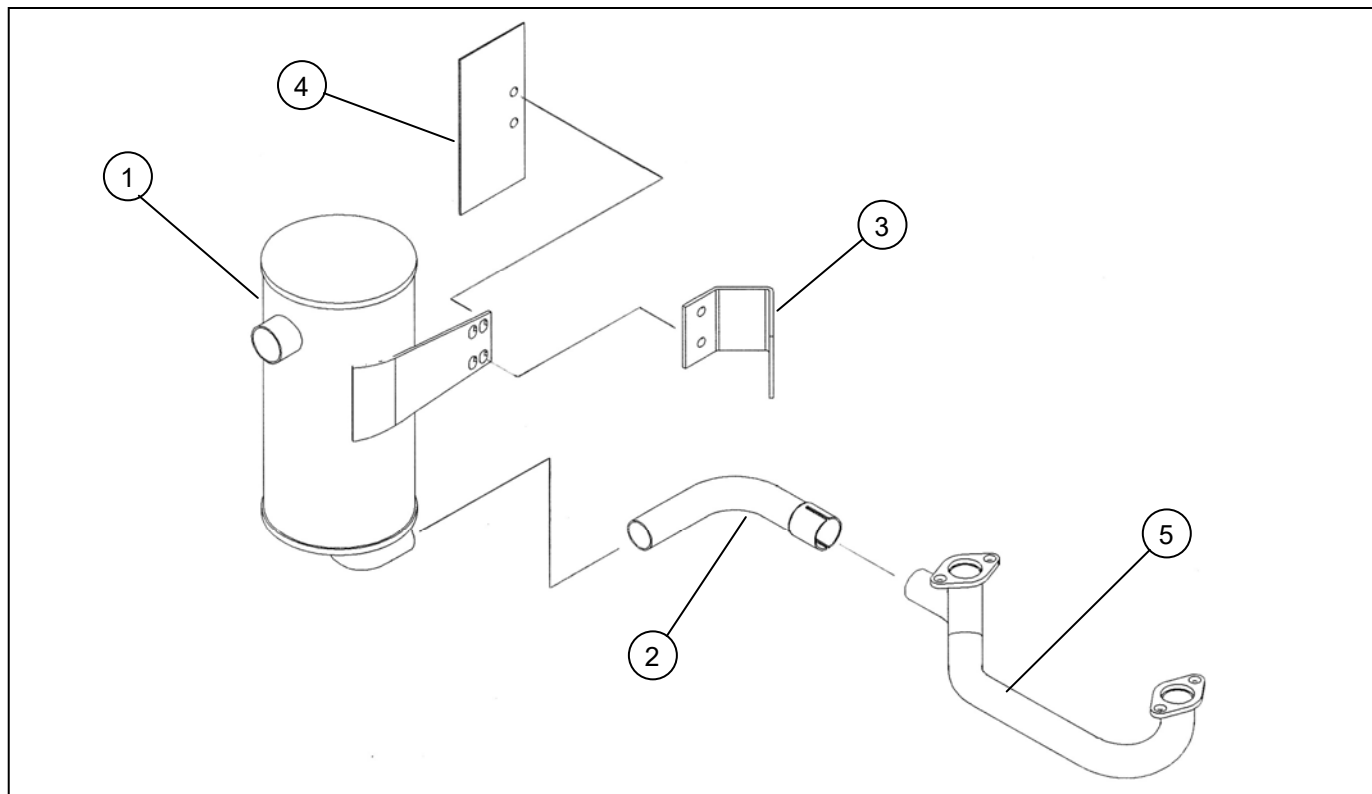
<u>Item</u>	<u>Part #</u>	<u>Description</u>	<u>Qty.</u>
1	216011	Wire Lock Pin (1/2" x 3-1/2" Opening)	2
2	226012	Offset Wheel Assy. (15/600 x 6, 4 Ply Turf) (See Wheel Assy. Drawing Above)	~
3	226013	Centered Wheel Assy. (5.30/4.50 x 6, 4 Ply Stud) (See Wheel Assy. Drawing Above)	~
4	600195	Clamping Flat	2
5	600272	Spacer Flat (1/2" Thick) (Spaces Cross Brace Tubes Up)	4
6	900107	Receiver Assy.	2
7	900108	Caster Support	1
	243010	Plastic Bearing (1-3/8" O.D. x 1.00" I.D., Flange, Nylon)	2
8	900109	Rear Wheel Support	1
9	900148	Caster Fork (Includes 1" Washers) (Replaces Caster Fork 900073, Also Requires 222012)	1
	222012	Single Split Collar (1" I.D. x .1/2" Thick)	1
10	003907	Rear Floatation Kit	1
11	003908	Front Floatation Kit	1

MISCELLANEOUS PARTS

AIR FILTERS, OIL FILTERS, BATTERY ETC.

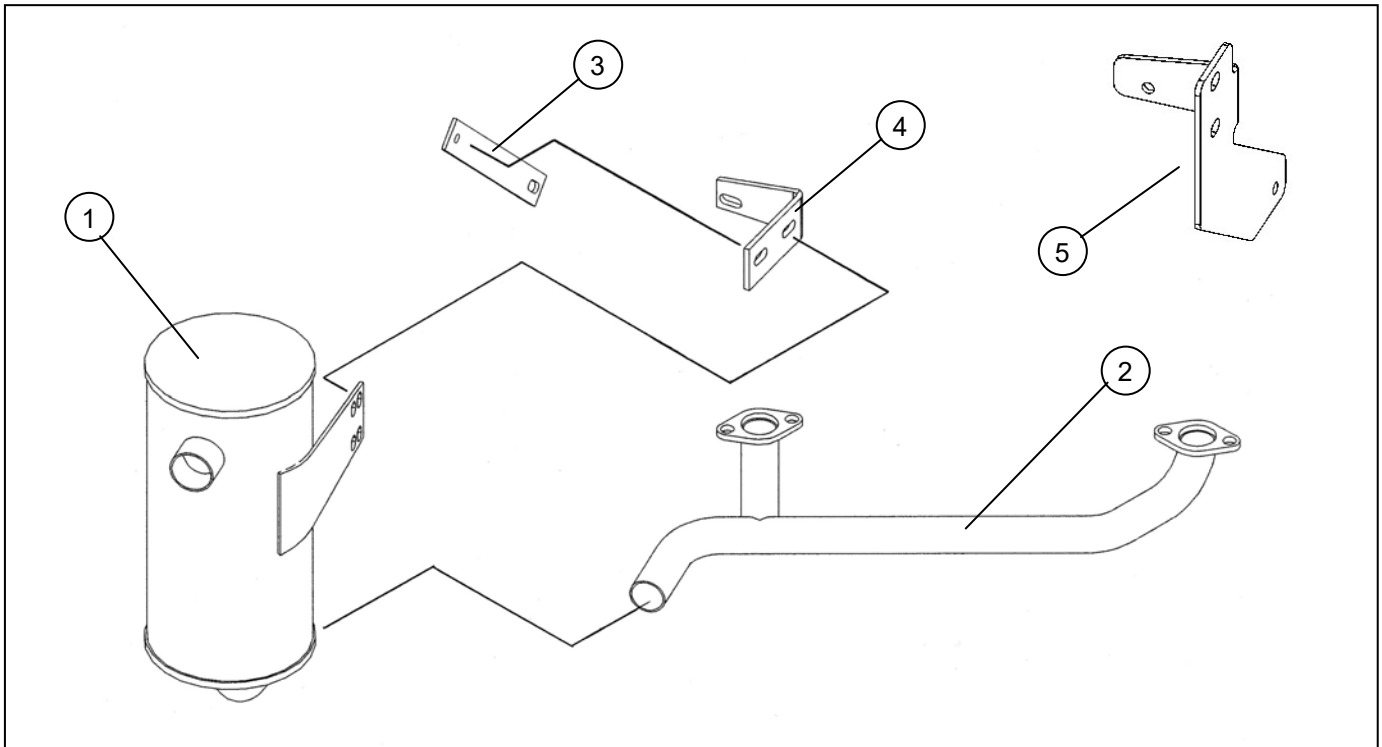
<u>Part #</u>	<u>Description</u>	<u>Qty.</u>
226014	Flatproof Wheel Assy. (15/600 x 6 - Urethane Foam)(Includes Tire, Rim & Bearings)(Optional Replacement for 226003)	2
226015	Flatproof Wheel Assy. (5.30/4.50 x 6 - Urethane Foam)(Includes Tire, Rim & Bearings)(Optional Replacement for 226004)	2
257500	Oil Filter, Kohler (12-050-01-S) - Used on 18HP Kohler Command Engines - Replace with 257503	~
257503	Oil Filter, Kohler (52-050-02-S)	1
257507	Air Filter (Filter Only Use 257508 Also), Kohler (12-083-10-S) - Used on 18HP Kohler Command Engines	1
257508	Pre-Cleaner (Use with 257507 Air Filter), Kohler (12-083-12-S) - Used on 18HP Kohler Command Engines	1
257513	Air Filter (Filter Only Use 257514 Also), Briggs (795115) - Used on 17.5HP Briggs Intek Engines	1
257514	Pre-Cleaner (Use With 257513 Air Filter), Briggs (697015) - Used on 17.5HP Briggs Intek Engines	1
257515	Air Filter (Canister Style), Briggs (591334 was 796031) - Used on 19.5HP Briggs Intek Engines	1
257516	Oil Filter, Briggs (696854, Higher Grade Yellow) - All Briggs Models With Oil Filter	1
257524	Air Filter (Filter Only Use 257525 Also), Briggs (394018S) - Used on 18HP Briggs Vanguard Engines	1
257525	Pre-Cleaner (Use With 257524 Air Filter), Briggs (272490S) - Used on 18HP Briggs Vanguard Engines	1
257530	Air Filter (Filter Only Use 257531 Also), Briggs (793569) - Used on 19HP Briggs Professional Engines	1
257531	Pre-Cleaner (Use With 257530 Air Filter), Briggs (793685) - Used on 19HP Briggs Professional Engines	1
257533	Air Filter (Filter Only Use 257536 Also), Briggs (798897) - Used on 20HP Briggs Commercial Turf Engines	1
257536	Pre-Cleaner (Use With 257533 Air Filter), Briggs 593217) - Used on 20HP Briggs Commercial Turf Engines	1
264003	Hour/Tach Meter (Digital)	1
264004	Battery (12V AGM Sealed)	1
277025	Tire Sealer - 32 oz Bottle (Each Tire Requires 16 oz)	2
277042	Spare Key for Indak Ignition Switches (Used on 264001 & 264010)	1

MR44V EXHAUST PARTS – 18HP VANGUARD



<u>Item</u>	<u>Part #</u>	<u>Description</u>	<u>Qty.</u>
1	257505	Muffler - 5" (Used on 18 & 23HP Briggs Vanguard and 22 & 23 HP Briggs Intek)	1
2	257523	Manifold Elbow (Used on 18 HP Briggs Vanguard)	1
3	600296	Manifold Bracket	1
4	600297	Heat Deflector	1
5	~	Manifold - Briggs Part #691502 (Available Through Briggs & Stratton)	1

MR44BC EXHAUST PARTS -20HP BRIGGS COMMERCIAL TURF



<u>Item</u>	<u>Part #</u>	<u>Description</u>	<u>Qty.</u>
1	257505	Muffler - 5"	1
2	257506	Manifold	1
3	600231	Exhaust Brace (Can be upgraded to 600313)	1
4	600232	Exhaust Support (Can be upgraded to 600313)	1
5	600313	Muffer Bracket (Replaces both 600231 & 600232 with single piece)	1