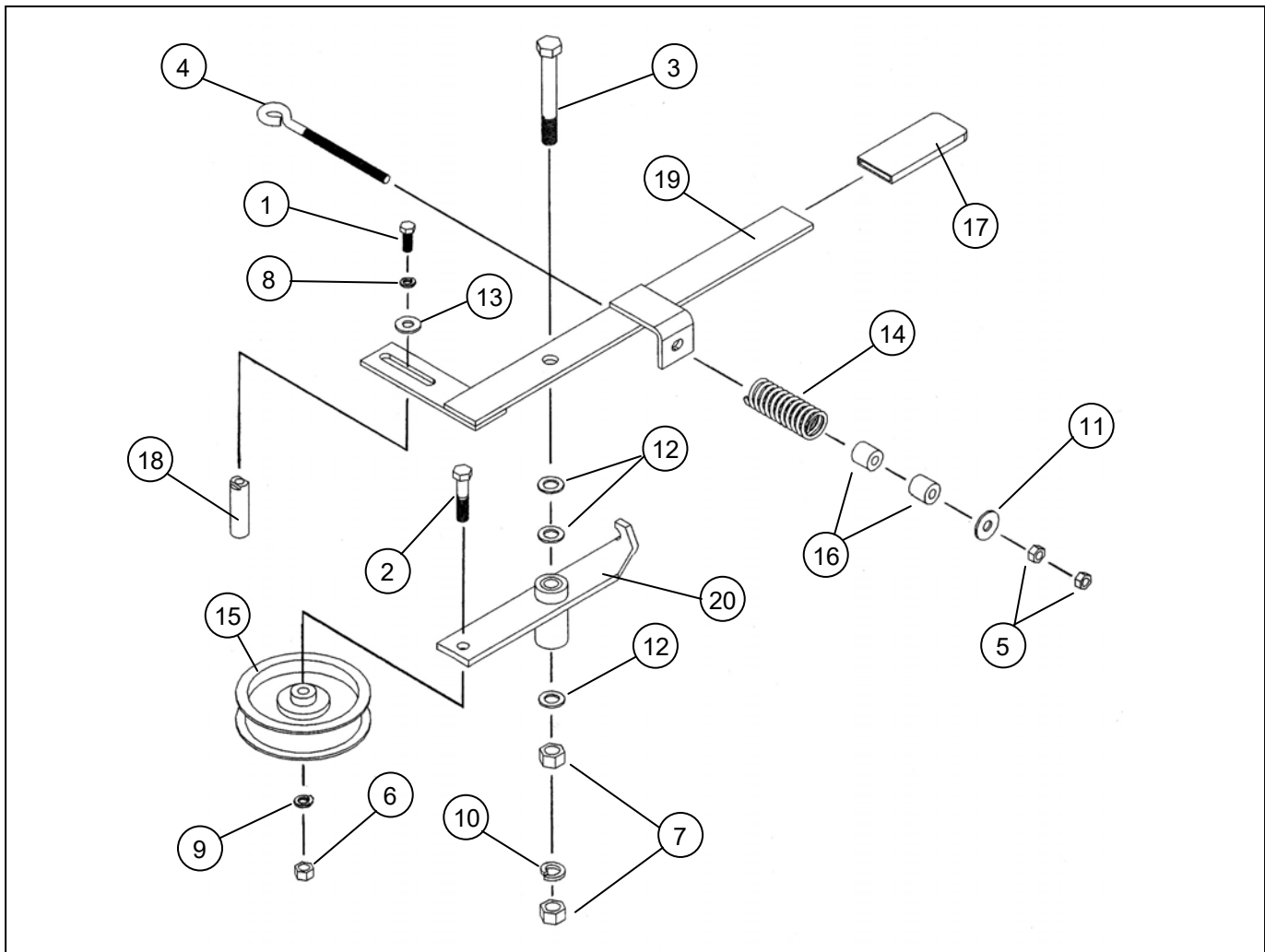


MODEL E60B

(See drawings below for additional parts)

| <u>Item</u> | <u>Part #</u> | <u>Description</u> | <u>Qty.</u> |
|-------------|---------------|--|-------------|
| 1 | 202135 | Hex Head Bolt, 3/8" x 3" Fully Threaded | 4 |
| 2 | 204000 | Shoulder Bolt, 1/2" x 1-5/8" Shoulder Length | 6 |
| 3 | 222010 | Worm Drive Hose Clamp (4-1/8" to 7" Clamping Dia.) | 2 |
| 4 | 225003 | Compression Spring, 3"L x 1-3/32" O.D. x .055" Wire dia. (Clutch Drawing Below) | 1 |
| 5 | 226000 | Plastic Wheel, 3" O.D. x 1/2" I.D. x 1-1/4" Wide | 6 |
| 6 | 226001 | Offset Wheel Assy., 13/500 x 6, 2 Ply Turf | 2 |
| | 243008 | Precision Sealed Wheel Bearings (1-3/8 O.D. x 3/4" I.D.) | 4 |
| 7 | 226002 | Centered Wheel Assy., 9/350 x 4, Flat Proof Urethane Foam | 2 |
| | 243008 | Precision Sealed Wheel Bearings (1-3/8 O.D. x 3/4" I.D.) | 4 |
| 8 | 238005 | "V" Belt, B Section, 115" O.C. Dayco B112 Super II | 1 |
| 9 | 241001 | Flat Idler, 4" O.D. x 3/8" Hole (Plastic Replaced with Steel) | 2 |
| 10 | 241006 | "V" Sheave, 5" Dia. 1" Bore (Upgrade to 241010) | ~ |
| 10 | 241010 | "V" Sheave, 5" Dia. 1" Bore | 1 |
| 11 | 258013 | Spindle Assy. (See Spindle Drawing Below) | 3 |
| 11 | 258021 | Spindle Assy. (See Spindle Drawing Below) | 3 |
| 12 | 259000 | Offset Mower Blade, 2" Wide, 20" Long, 3/8" Hole | 3 |
| | 202134 | Blade Bolt (3/8" x 7/8" NF) | 3 |
| 13 | 269005 | Throttle Control | 1 |
| 14 | 269006 | Throttle Wire | 1 |
| 15 | 275002 | Warning Decal General | 1 |
| 15 | 275003 | Danger Decal, Cut Finger | 2 |
| 15 | 275006 | Clutch Engagement Decal | 1 |
| 15 | 275007 | Warning Decal, Belt Sheild | 2 |
| 15 | 275013 | Throttle Control Decal | 1 |
| 15 | 275019 | Name Decal, Kunz | 1 |
| 15 | 275021 | Name Decal, AcrEase (Replaces 275000, 275009 & 275017) | 2 |
| 15 | 275023 | Name Decal, 60" Finish Cut | 2 |
| 16 | 277002 | Rubber Grommet | 6 |
| 17 | 277003 | Fuel Tank, 1 Gal., Screw Mounted (Not Available - Call for Details) | 1 |
| 17 | 277022 | Fuel Tank, 1 Gal., Strap Mounted (Not Available - Call for Details) | 1 |
| 18 | 277006 | Insulating Bushing (Fuel Line Protection) | 1 |
| 19 | 277011 | Handle Grip | 1 |
| 20 | 600059 | Caster Axle | 2 |
| 21 | 600062 | Belt Sheild L.H. | 1 |
| 21 | 600063 | Belt Sheild R.H. (Discharge Side) | 1 |
| 22 | 600071 | Spacer, 1.38" O.D. x 1.33" Wall x 2.19" Long | 1 |
| 23 | 600105 | Engine Support Bracket | 1 |
| 24 | 600136 | Brake Stud | 1 |
| 25 | 600160 | Tank Support (For Fuel Tank 277003, Screw Mounted) | 1 |
| 26 | 600161 | Throttle Support | 1 |
| 27 | 600165 | Tank Support (For Fuel Tank 277022, Strap Mounted) | 1 |
| 28 | 600188 | Caster Support Stop | 1 |
| 29 | 900005 | Rear Axle | 2 |
| 30 | 900021 | Caster Support | 2 |
| 31 | 900053 | Mower Deck (No Longer Available, Call For Other Options) | 1 |
| 32 | 900055 | Clutch Arm (Clutch Drawing Below) | 1 |
| 33 | 900060 | Idler Arm Assy. (Includes Bronze Bearings) (Clutch Drawing Below) | 1 |
| | 243005 | Bronze Bearing, 1/2" I.D. x 3/4" O.D. x .75" Long (Requires 2) | 2 |

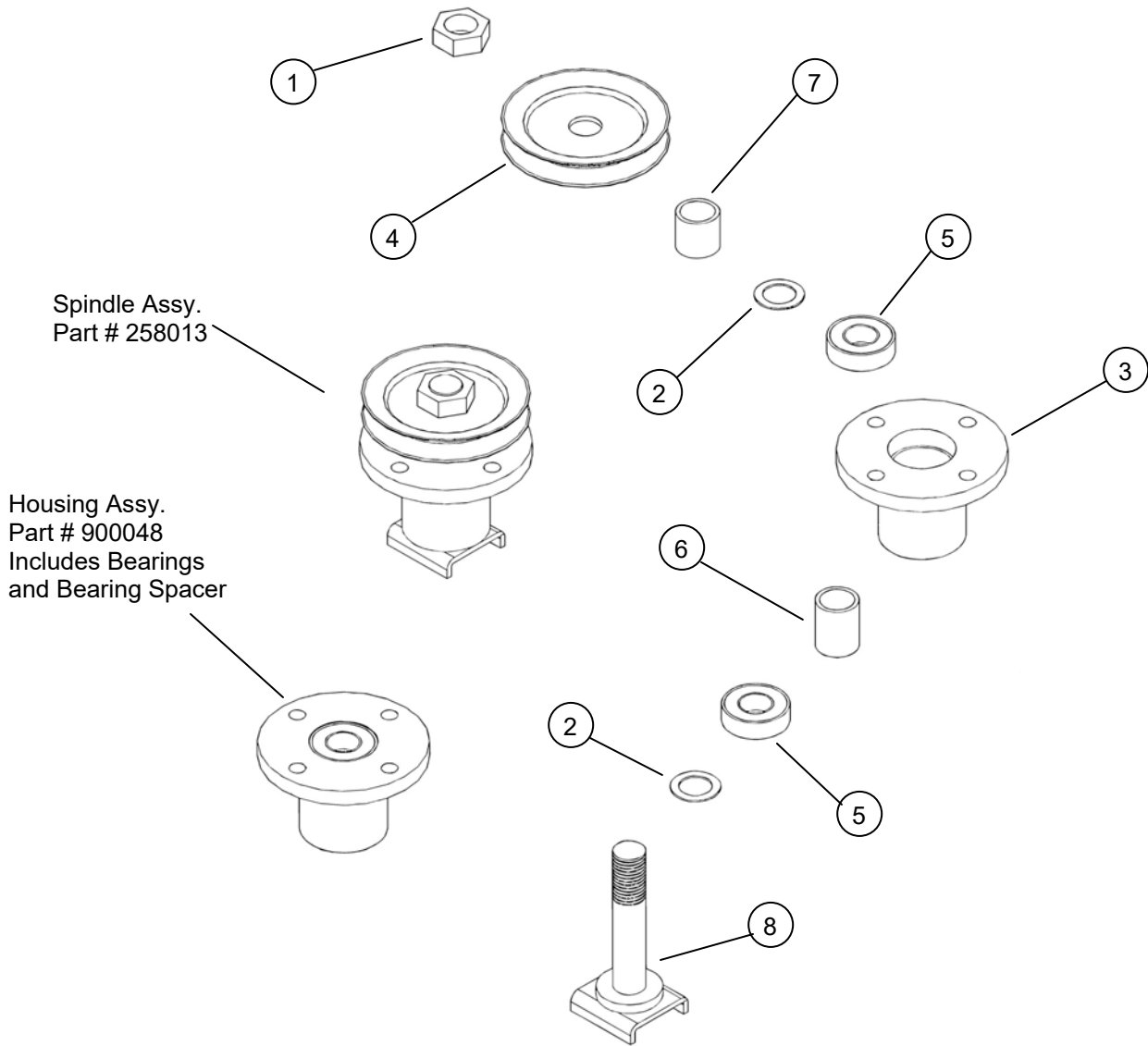
CLUTCH BLADE ENGAGEMENT PARTS



| <u>Item</u> | <u>Part #</u> | <u>Description</u> | <u>Qty.</u> |
|-------------|---------------|--|-------------|
| 1 | 202019 | Hex Head Bolt 5/16" x 3/4" Long | 1 |
| 2 | 202040 | Hex Head Bolt 3/8" x 1-1/2" Long | 1 |
| 3 | 202064 | Hex Head Bolt 1/2" x 3-3/4" Long | 1 |
| 4 | 204005 | Eye Bolt 5/16" x 5" Usable Length | 1 |
| 5 | 212001 | Hex Nut 5/16" | 2 |
| 6 | 212002 | Hex Nut 3/8" | 1 |
| 7 | 212003 | Hex Nut 1/2" | 2 |
| 8 | 214001 | Lock Washer 5/16" | 1 |
| 9 | 214002 | Lock Washer 3/8" | 1 |
| 10 | 214003 | Lock Washer 1/2" | 1 |
| 11 | 214005 | Standard Flat Washer 3/8" | 1 |
| 12 | 214015 | Machinery Washer 1/2" x 18 GA Thick | 3 |
| 13 | 214017 | Standard Flat Washer 5/16" | 1 |
| 14 | 225003 | Compression Spring, 3" Long x 1-3/32" O.D. x .135" Wire dia. | 1 |
| 15 | 241001 | Flat Idler, 4" O.D. x 3/8" Hole (Replaced with Steel) | 1 |
| 16 | 277004 | Tube Spacer - Nylon 3/4" Long | 2 |
| 17 | 277011 | Handle Grip | 1 |
| 18 | 600136 | Brake Stud | 1 |
| 19 | 900055 | Clutch Arm | 1 |
| 20 | 900060 | Idler Arm Assy. (Includes Bronze Bearings) | 1 |
| | 243005 | Bronze Bearing, 1/2" I.D. x 3/4" O.D. x .75" Long (Requires 2) | 2 |

PARTS BREAKDOWN FOR SPINDLE ASSY. (PART # 258013)

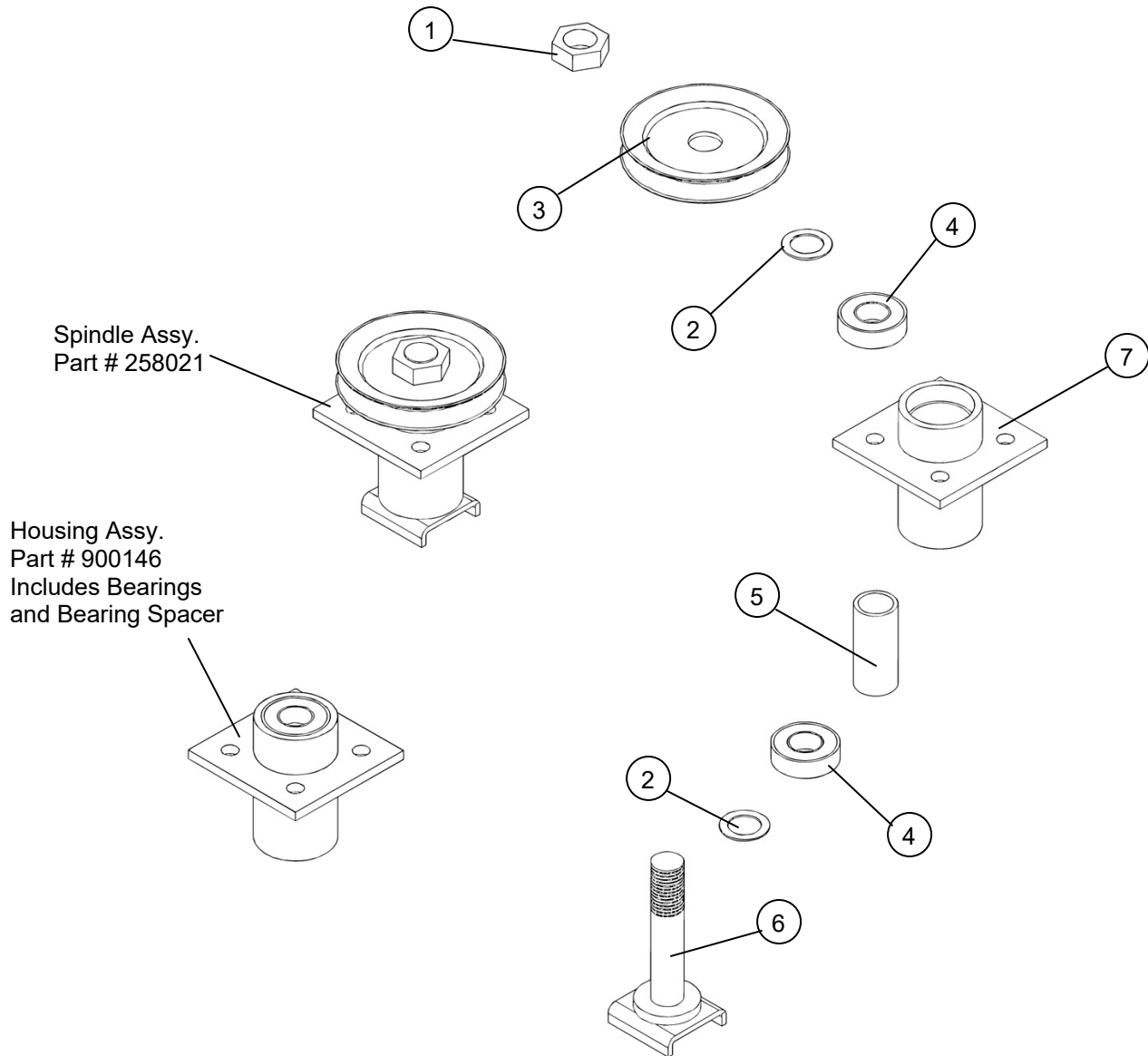
Note: All Model E60B's were originally built with Spindle Assy. Part # 258013. All Model E60B's can be upgraded to Spindle Assy. Part # 258021. The new spindle assy. provides extra long bearing life. Some parts are interchangeable between spindle assemblies.



| <u>Item</u> | <u>Part #</u> | <u>Description</u> | <u>Qty.</u> |
|-------------|---------------|--|-------------|
| 1 | 212010 | Hex Jam Nut 1.00" - 14NF | 3 |
| 2 | 214014 | Machinery Washer 1.00" I.D. x 18 GA Thick | 6 |
| 3 | 231001 | Spindle Hub (Not Sold Separately, Purchase 900048) | ~ |
| 4 | 241007 | "V" Sheave 5.25" Dia. - 25 mm Bore | 3 |
| 5 | 243003 | Bearing 6205 - 2RST | 6 |
| 6 | 600086 | Bearing Spacer | 3 |
| 7 | 600087 | Pulley Spacer | 3 |
| 8 | 900045 | Spindle Shaft | 3 |
| | 900048 | Replacement Housing Assy. (Can be Upgraded to Part # 900146) | 3 |
| | 258013 | Replacement Spindle Assy. (Can be Upgraded to Part # 258021) | 3 |

PARTS BREAKDOWN FOR SPINDLE ASSY. (PART # 258021)

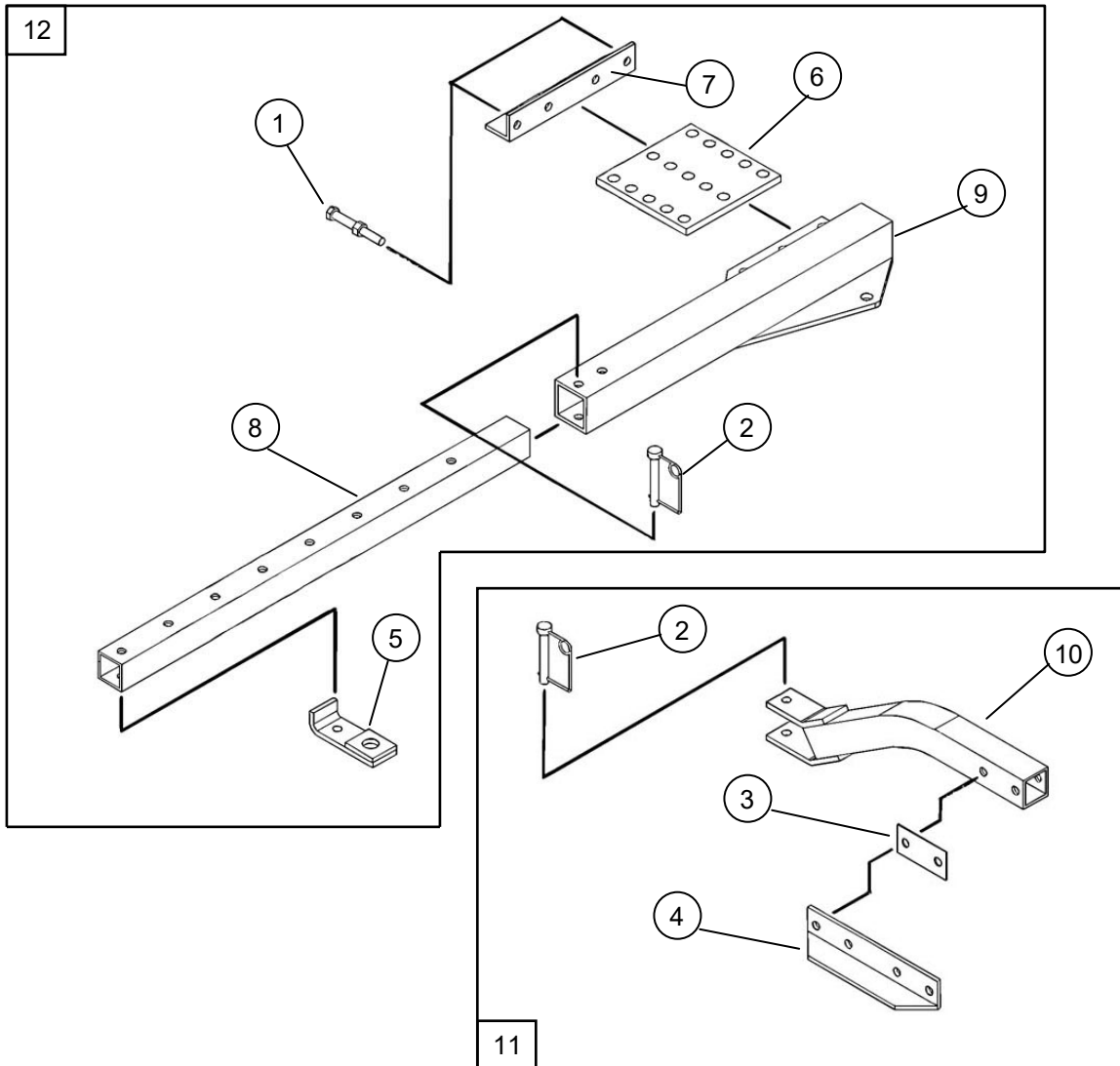
Note: This is an upgrade to Spindle Assy. Part # 258013. The new spindle assy. provides extra long bearing life. Some parts are interchangeable between the old and new spindle assemblies.



| <u>Item</u> | <u>Part #</u> | <u>Description</u> | <u>Qty.</u> |
|-------------|---------------|--|-------------|
| 1 | 212010 | Hex Jam Nut 1.00" - 14NF | 3 |
| 2 | 214014 | Machinery Washer 1.00" I.D. x 18 GA Thick | 6 |
| 3 | 241007 | "V" Sheave 5.25" Dia. - 25 mm Bore | 3 |
| 4 | 243003 | Bearing 6205 - 2RST | 6 |
| 5 | 600235 | Bearing Spacer | 3 |
| 6 | 900045 | Spindle Shaft | 3 |
| 7 | 900145 | Spindle Hub (Not Sold Separately, Purchase 900146) | ~ |
| | 900146 | Replacement Housing Assy. | 3 |
| | 258021 | Replacement Spindle Assy. | 3 |

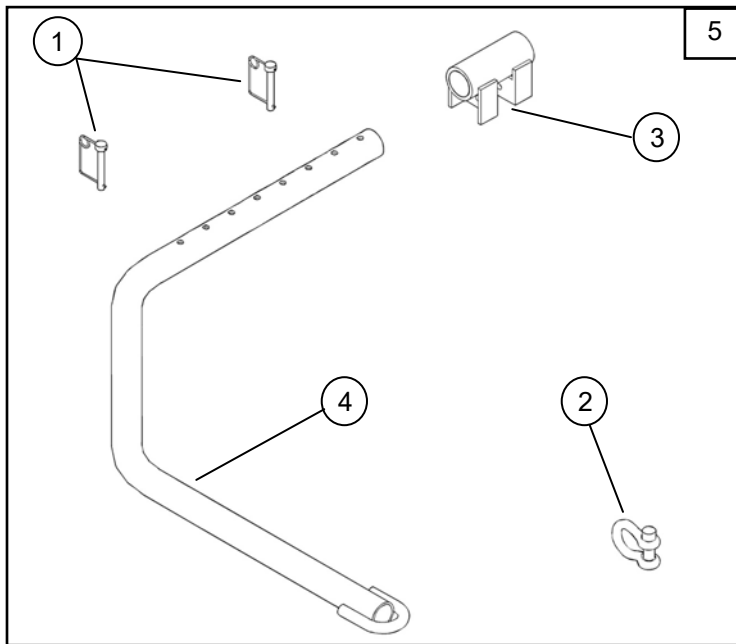
LAWN & GARDEN HITCH PARTS

(PART #'s 900013 & 900028)



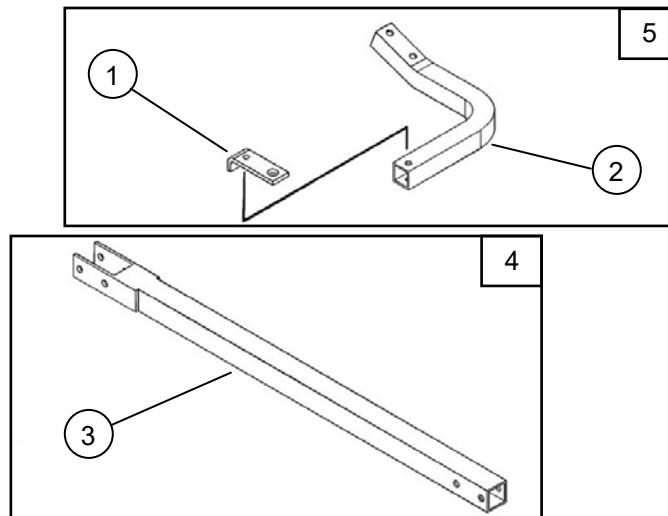
| <u>Item</u> | <u>Part #</u> | <u>Description</u> | <u>Qty.</u> |
|-------------|---------------|---|-------------|
| 1 | 202135 | Hex Head Bolt, 3/8" x 3" Fully Threaded | 2 |
| 2 | 216006 | Wire Lock Pin, 3/8" x 2-1/4" Opening | 2 |
| 3 | 600001 | Spacer | 1 |
| 4 | 600002 | Tongue Pivot Angle | 2 |
| 5 | 900050 | Hitch Draw Bar | 1 |
| 6 | 600044 | Hitch Adaptor Plate | 1 |
| 7 | 600009 | Hitch Stop Angle | 1 |
| 8 | 600043 | Hitch Extension | 1 |
| 9 | 900026 | Telescope Hitch | 1 |
| 10 | 900007 | Short Tongue | 1 |
| 11 | 900013 | Short Tongue Assy. | 1 |
| 12 | 900028 | Hitch Assy. - Telescoping (Replaces Hitch Assy. 900014) | 1 |

ATV TONGUE PARTS (PART # 900084)



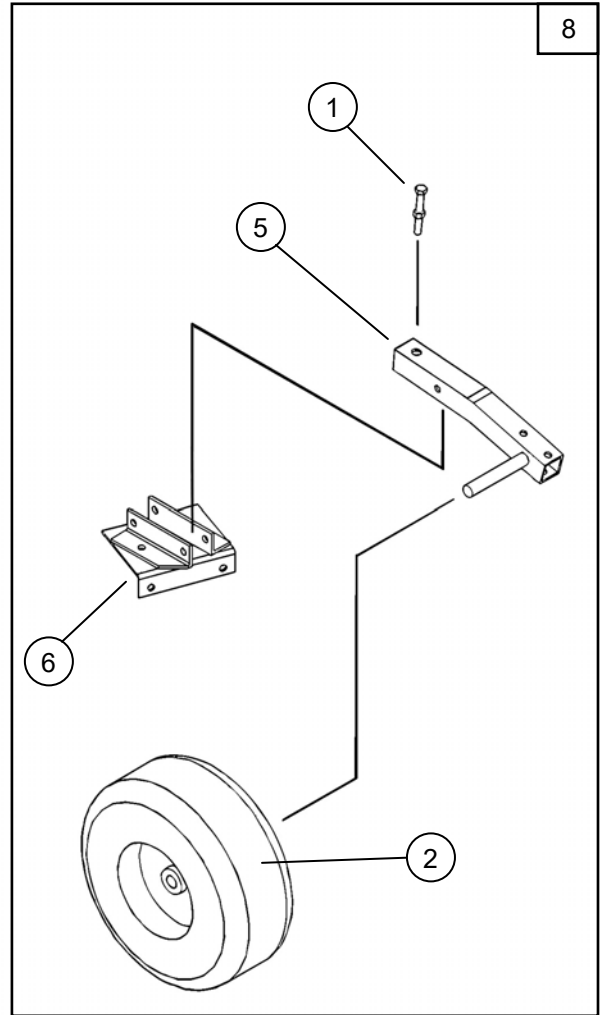
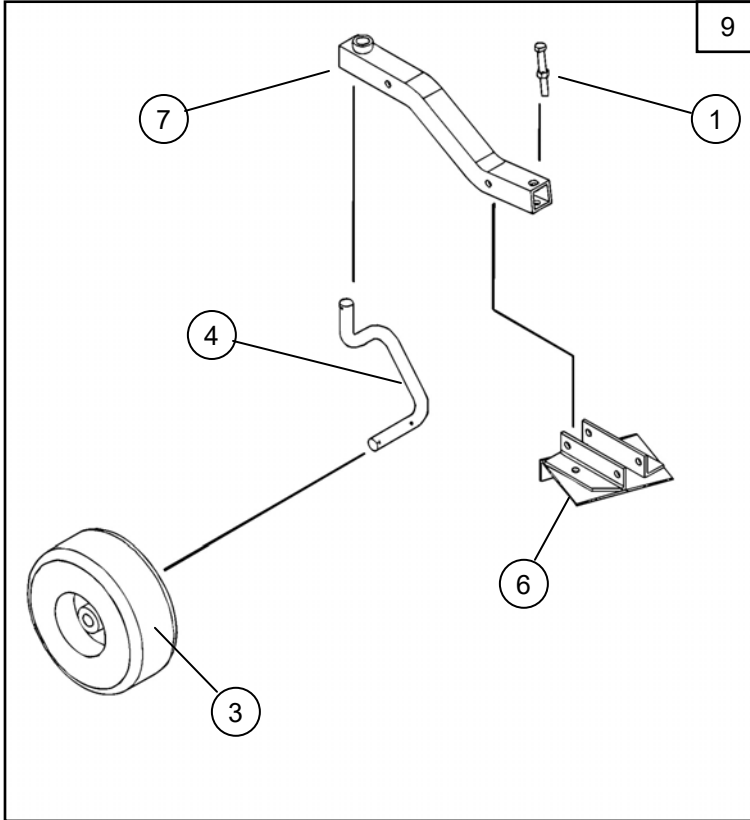
| <u>Item</u> | <u>Part #</u> | <u>Description</u> | <u>Qty.</u> |
|-------------|---------------|----------------------------|-------------|
| 1 | 216002 | Wire Lock Pin .31" X 2.50" | 2 |
| 2 | 216009 | Screw Pin Shackle Clevis | 1 |
| 3 | 900057 | Hitch Pivot | 1 |
| 4 | 900082 | Tongue | 1 |
| 5 | 900084 | ATV Tongue Assy. | 1 |

OPTIONAL HITCH PARTS (PART #'s 900008 & 900009)



| <u>Item</u> | <u>Part #</u> | <u>Description</u> | <u>Qty.</u> |
|-------------|---------------|---|-------------|
| 1 | 600006 | Hitch Flat (5/16" Mounting Hole) | 1 |
| 2 | 600020 | Rear Hitch Tube (Replace with Rear Hitch Assy. 900009) | 1 |
| 3 | 900000 | Long Tongue Extension (Replace with Long Tongue Assy. 900008) | 1 |
| 4 | 900008 | Long Tongue Assy. | 1 |
| 5 | 900009 | Rear Hitch Assy. | 1 |

OPTIONAL FLOATATION KIT PARTS (PART #'s 003902 & 003904)



| <u>Item</u> | <u>Part #</u> | <u>Description</u> | <u>Qty.</u> |
|-------------|---------------|---|-------------|
| 1 | 202135 | Hex Head Bolt (3/8" x 3" Fully Threaded) | 2 |
| 2 | 226001 | Offset Wheel Assy. (13/500 x 6, 2 ply turf) | 1 |
| | 243008 | Precision Sealed Wheel Bearings (1-3/8 O.D. x 3/4" I.D.) | 2 |
| 3 | 226002 | Centered Wheel Assy. (9/3.50 x 4, Flat Proof Urethane Foam) | 1 |
| | 243008 | Precision Sealed Wheel Bearings (1-3/8 O.D. x 3/4" I.D.) | 2 |
| 4 | 600059 | Caster Axle | 1 |
| 5 | 900005 | Rear Axle | 1 |
| 6 | 900020 | Wheel Support | 2 |
| 7 | 900021 | Caster Support | 1 |
| 8 | 003902 | Rear Floatation Kit | 1 |
| 9 | 003904 | Front Floatation Kit | 1 |