

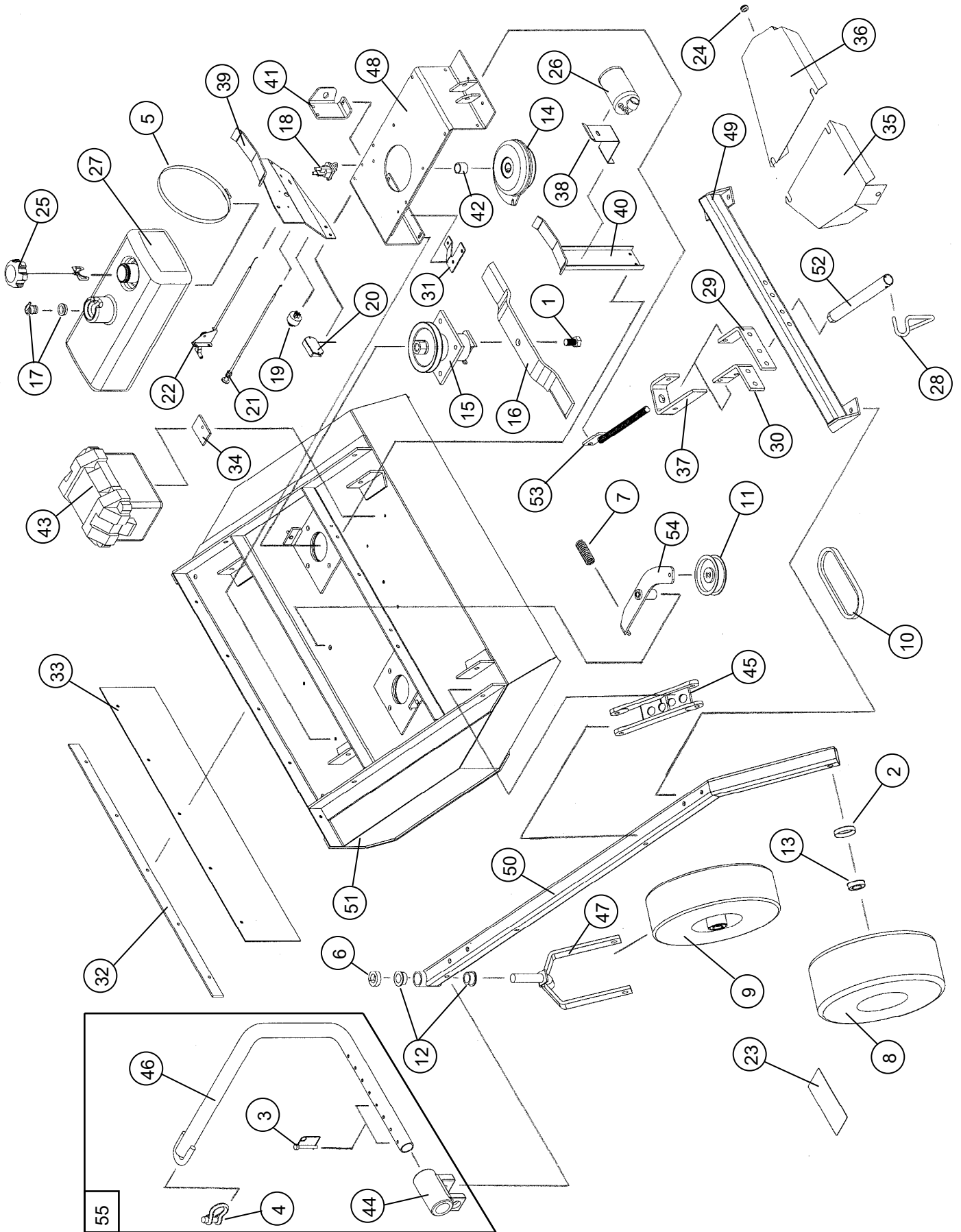
MODEL MR44BE

(See drawings below for additional parts)

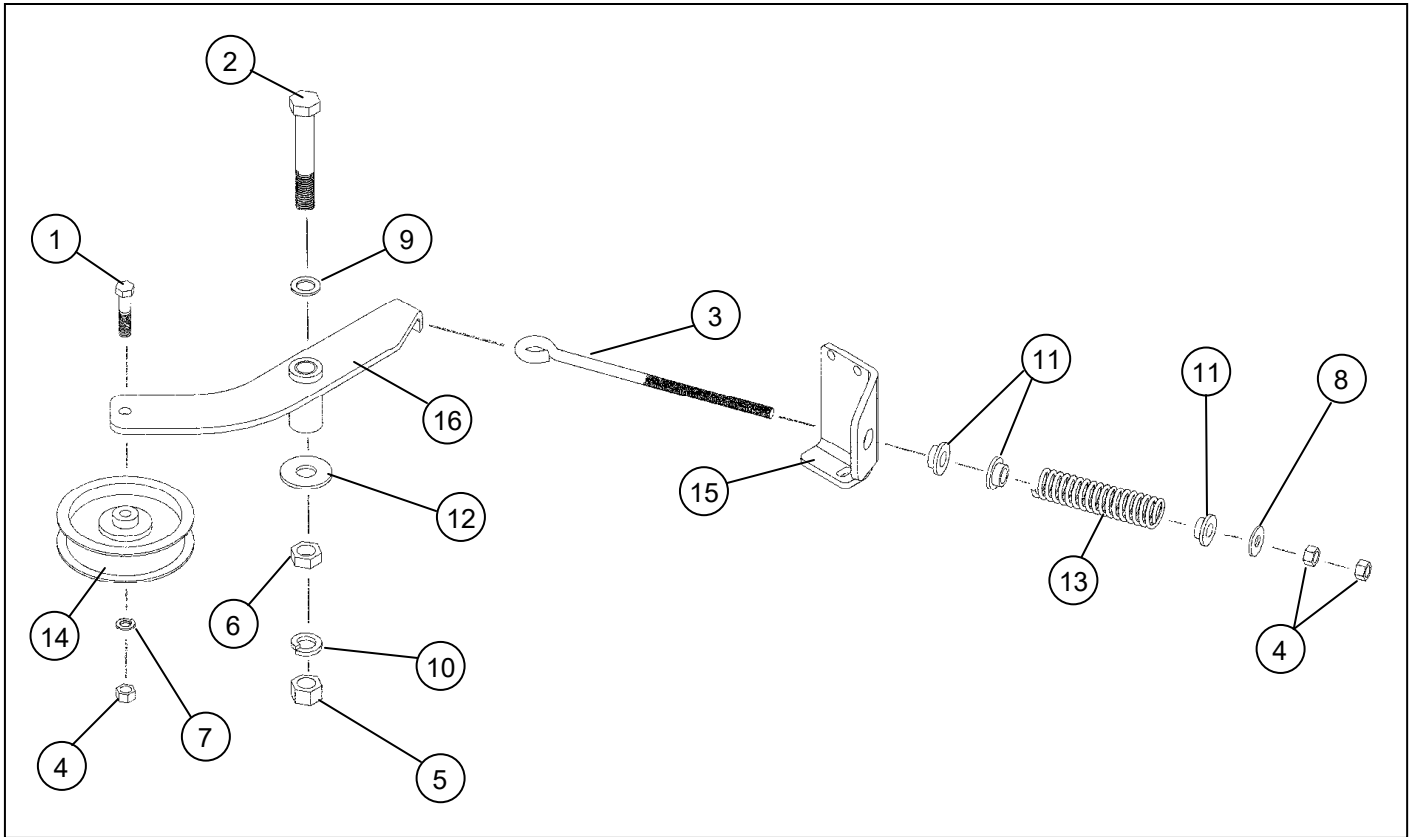
<u>Item</u>	<u>Part #</u>	<u>Description</u>	<u>Quantity</u>
1	202141	Blade Bolt, .75"-16UNF x 1.25"	2
2	214030	Cup Washer	6
3	216002	Wire Lock Pin, .31" x 2.50"	2
4	216009	Screw Pin Shackle Clevis	1
5	222005	Worm Drive Hose Clamp (7-7/8" to 9-1/8" Clamping Dia.)	2
6	222012	Single Split Collar (1" I.D. x 1/2" Thick)	2
7	225005	Compression Spring, 4-1/2"L x 1-3/32" O.D. x .125" Wire dia. (Clutch Drawing Below)	1
8	226012	Offset Wheel Assy. (15/600 x 6, 4 Ply Turf) (See Wheel Assy. Drawing Below)	2
9	226013	Centered Wheel Assy. (5.30/4.50 x 6, 4 Ply Stud) (See Wheel Assy. Drawing Below)	2
10	238007	"V" Belt, .62" x 77" O.C. (B74K)	1
11	241001	Flat Idler, 4" O.D. x 3/8" Hole	1
12	243010	Plastic Bearing (1-3/8" O.D. x 1.00" I.D., Flange, Nylon)	4
13	243015	Precision Sealed Wheel Bearings (2" O.D. x 1" I.D.)	8
14	258018	Electric Clutch	1
15	258023	Spindle Assy. (See Spindle Drawing Below)	2
16	259008	Offset Mower Blade, 2-1/2" Wide, 23" Long, 3/4" Hole	2
17	260004	Roll-Over / Fuel Vapor Valve (Includes Gromet)	1
18	264000	Solenoid	1
19	264010	Ignition Switch	1
20	264003	Hour/Tack Meter	1
21	269010	Choke Control, 27"	1
22	269009	Throttle Control, 27"	1
23	275001	Control Panel Decal, Starting Instructions	1
23	275002	Warning Decal General	1
23	275003	Danger Decal, Cut Finger	2
23	275007	Warning Decal, Belt Sheild	2
23	275011	Clutch Engagement Decal	1
23	275019	Name Decal,Kunz	1
23	275021	Name Decal, AcrEase	1
23	275024	Name Decal, 44" Rough Cut	1
24	277002	Rubber Gromet	6
25	277035	Gas Cap - Audible Click/Tethered, Non-Venting	1
		<i>Note: Gas Cap 277035 is an EPA Certified Component . Only Replace with Gas Cap 277035.</i>	
26	277036	Carbon Canister - 300cc (California Only)	1
		<i>Note: Canister 277036 is an EPA Certified Component . Only Replace with Canister 277036.</i>	
27	277040	Fuel Tank, 3 Gal., 3-Layer EPA Certified	1
		<i>Note: Fuel Tank 277040 is an EPA Certified Component . Only Replace with Fuel Tank 277040.</i>	
	277041	Fuel Tank Grommet (Fuel Pickup Tube Location)	1
28	600146	Crank Arm	2
29	600185	Top Long Support	1
30	600186	Top Short Support	1
31	600198	Clutch Stop	1
32	600252	Flap Retainer Strip	1
33	600253	Safety Belting	1
34	600254	Battery Box Spacer	2
35	600264	Belt Sheild, Left	1
36	600265	Belt Sheild, Right	1
37	600268	Height Adjust Support	1

<u>Item</u>	<u>Part #</u>	<u>Description</u>	<u>Quantity</u>
38	600291	Canister Support (California Only)	1
39	600305	Control Panel	1
40	600306	Tank Support	1
41	600314	Spring Support Bracket	1
42	600315	Tube Spacer (1.32" O.D. x .88" Long)	1
43	900049	Battery Box Assy.	1
	264004	Battery (12V AGM Sealed)	1
44	900058	Hitch Pivot	1
45	900061	Pivot Arm	4
46	900082	Tongue	1
47	900148	Caster Fork (Includes 1" Washers)	1
48	900150	Engine Support Bracket	1
49	900154	Upper Actuator Mount	2
50	900155	Carrier Arm	2
51	900156	Mower Deck (Call to Order)	1
52	900157	Height Adjust Nut	1
53	900158	Screw Adjuster	1
54	900192	Idler Arm Assy. (Includes Bronze Bearings) (Clutch Drawing Below)	1
	243016	Bronze Bearing, 5/8" I.D. x 3/4" O.D. x 3/4" Long	2
55	900083	ATV Tongue Assy. (Includes all Mounting Hardware and Pins)	1

PARTS DRAWING FOR MODELS MR44BE

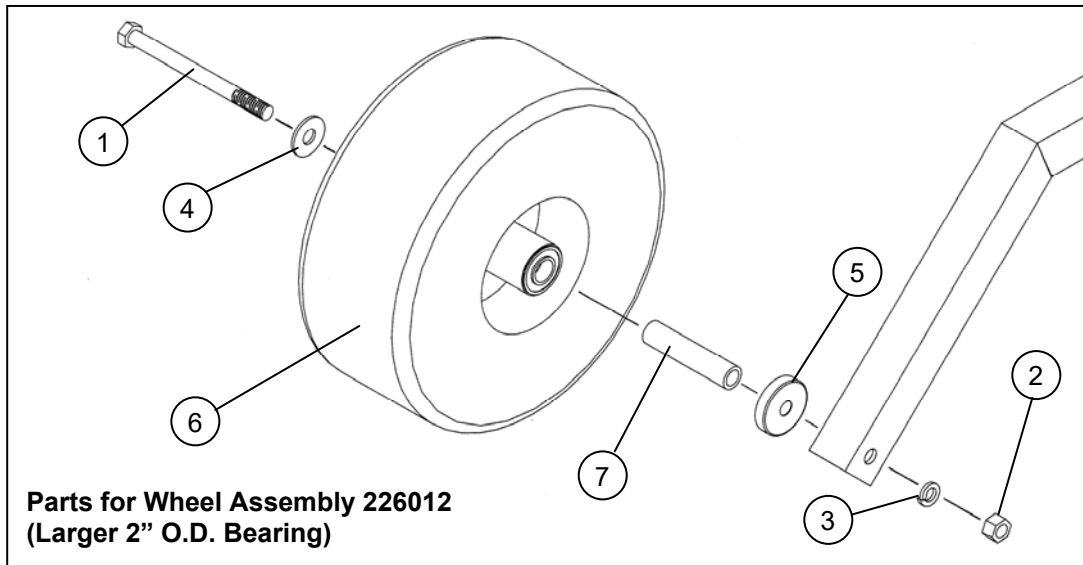


BELT TENSIONER (IDLER ARM) PARTS



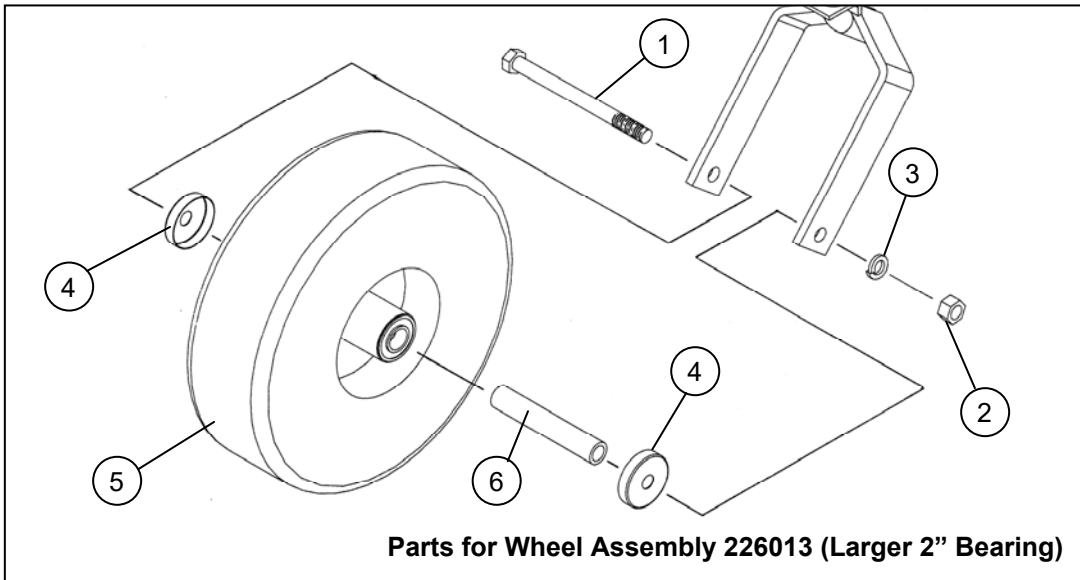
Item	Part #	Description	Qty.
1	202041	Hex Head Bolt 3/8" x 1-3/4" Long	1
2	202152	Hex Head Bolt 5/8" x 4" Long	1
3	204016	Eye Bolt 3/8" x 8" Usable Length	1
4	212002	Hex Nut 3/8"	3
5	212013	Hex Nut 5/8"	1
6	212021	Hex Jam Nut 5/8"	1
7	214002	Lock Washer 3/8"	1
8	214005	Standard Flat Washer 3/8"	1
9	214018	Machinery Washer 5/8" I.D. x 1" O.D.	1
10	214020	Lock Washer 5/8"	1
11	214027	Shoulder Washer - Nylon	3
12	214029	Standard Flat Washer 5/8"	2
13	225005	Compression Spring, 4.50" Long x 1-3/32" O.D. x .125" Wire dia.	1
14	241001	Flat Idler, 4" O.D. x 3/8" Hole	1
15	600314	Spring Support Bracket	1
16	900192	Idler Arm Assy. (Includes Bronze Bearings)	1
	243016	Bronze Bearing, 5/8" I.D. x 3/4" O.D. x .75" Long	2

REAR WHEEL ASSEMBLIES AND MOUNTING PARTS



<u>Item</u>	<u>Part #</u>	<u>Description</u>	<u>Qty.</u>
1	202140	Hex Head Bolt 5/8" x 7.5"	2
2	212013	Hex Nut - 5/8"	2
3	214020	Lock Washer - 5/8"	2
4	214029	Standard Flat Washer - 5/8"	2
5	214030	Cup Washer (For Larger Bearing)	2
6	226012	Offset Wheel Assy. (15/600 x 6, 4 Ply Turf) (Includes Tire, Rim, Bearing & Spanner Tube)	2
	226006	Tire - Replacement (15/600 x 6, 4 Ply Turf)	2
	243015	Precision Sealed Wheel Bearings (2" O.D. x 1" I.D.)	4
		<i>Note: See the Miscellaneous Parts Section Below for Flatproof Tire Options.</i>	
7	600308	Spanner Tube	2

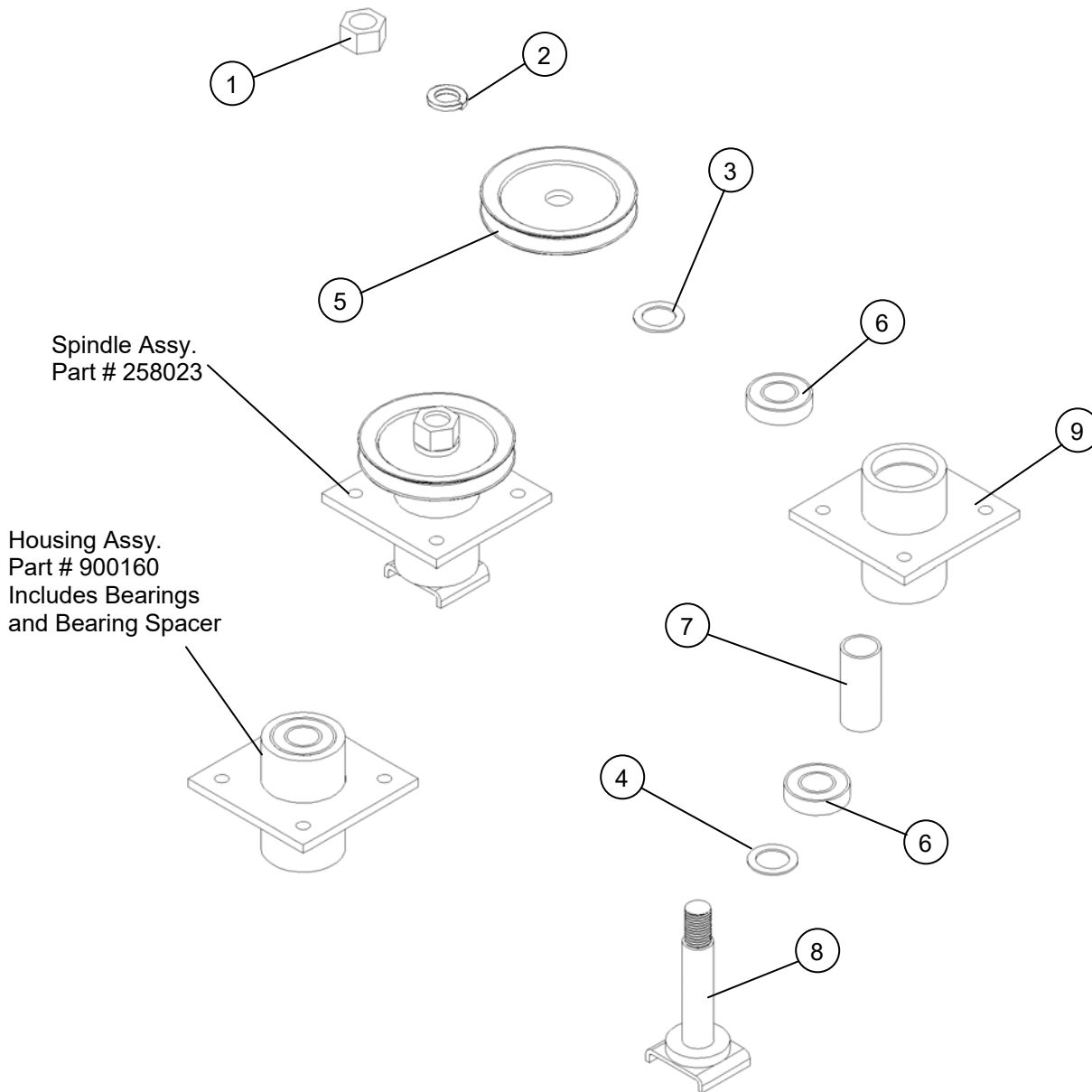
FRONT WHEEL ASSEMBLIES AND MOUNTING PARTS



<u>Item</u>	<u>Part #</u>	<u>Description</u>	<u>Qty.</u>
1	202140	Hex Head Bolt 5/8" x 7.5"	2
2	212013	Hex Nut - 5/8"	2
3	214020	Lock Washer - 5/8"	2
4	214030	Cup Washer (For Larger Bearing)	4
5	226013	Centered Wheel Assy. (5.30/4.50 x 6, 4 Ply Stud) (Includes Tire, Rim, Bearings & Spanner Tube)	2
	226005	Tire - Replacement (5.30/4.50 x 6, 4 Ply Stud)	2
	243015	Precision Sealed Wheel Bearings (2" O.D. x 1" I.D.)	4
		Note: See the Miscellaneous Parts Section Below for Flatproof Tire Options.	
6	600309	Spanner Tube	2

PARTS BREAKDOWN FOR ROUGH CUT SPINDLE ASSY.

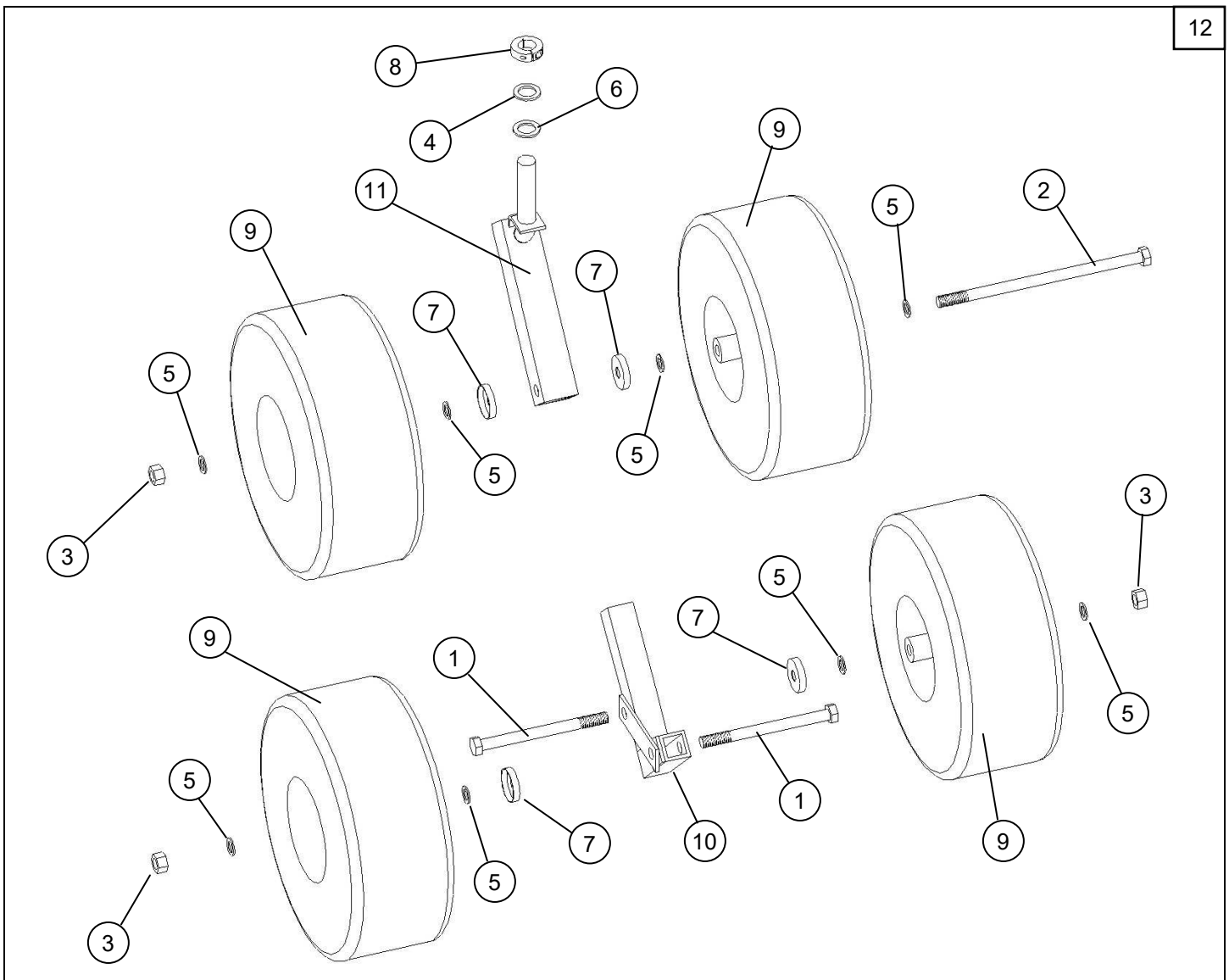
(PART # 258023)



<u>Item</u>	<u>Part #</u>	<u>Description</u>	<u>Qty.</u>
1	212009	Std. Hex Nut 1.00" - 14NF	2
2	214013	Split Lock Washer 1.00"	2
3	214014	Machinery Washer 1.00" I.D. x 18 GA Thick	2
4	214023	Machinery Washer 1.25" I.D. x 14 GA Thick	2
5	241011	"V" Sheave 5.56" Dia. - 25 mm Bore	2
6	243006	Bearing 6206 - 2RST	4
7	600271	Bearing Spacer	2
8	900075	Spindle Shaft	2
9	900159	Spindle Hub (Not Sold Separately, Purchase 900160)	~
	900160	Replacement Housing Assy.	2
	258023	Replacement Spindle Assy.	2

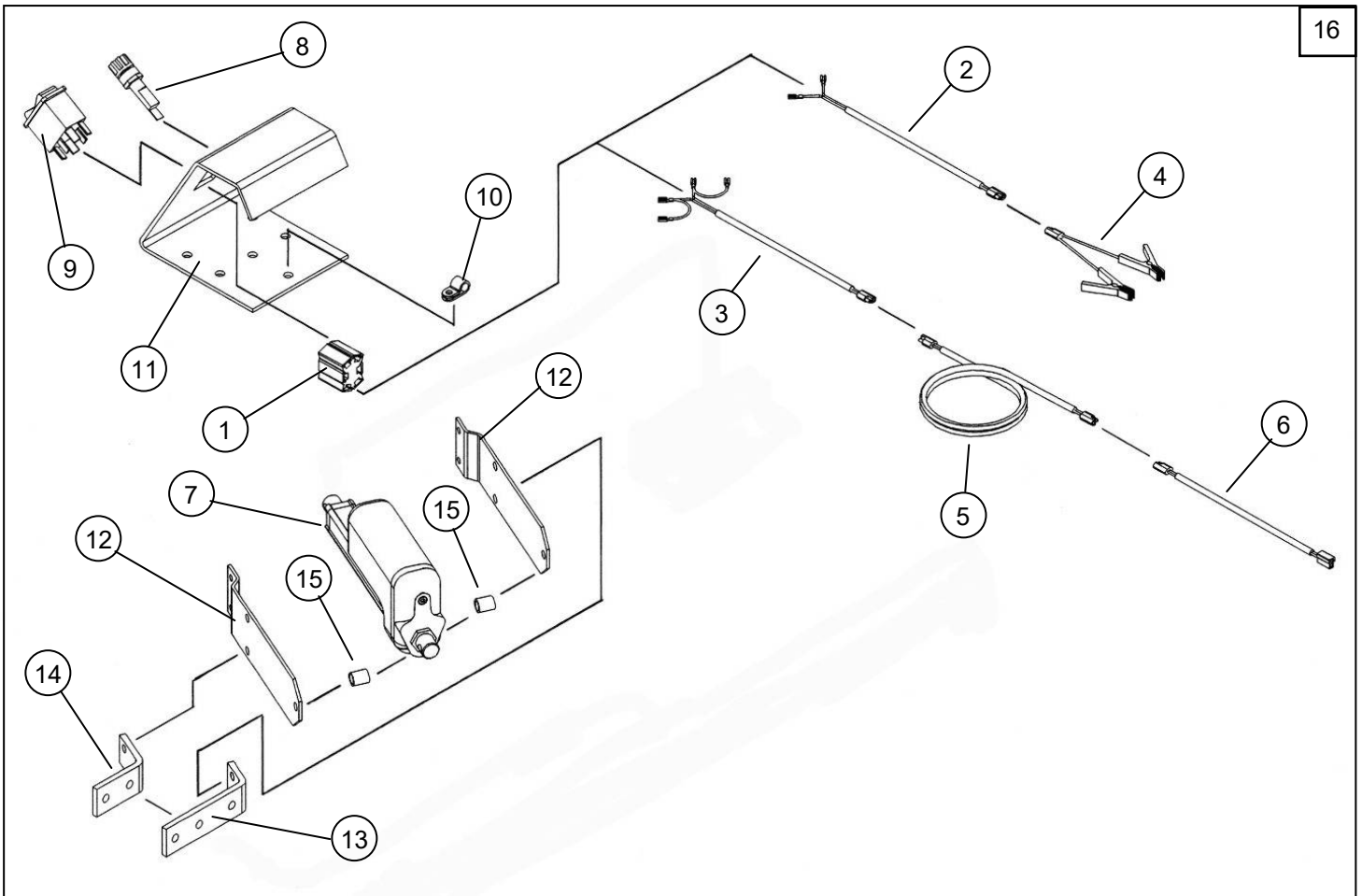
OPTIONAL WETLANDS KIT - (PART # 003905)

12



<u>Item</u>	<u>Part #</u>	<u>Description</u>	<u>Qty.</u>
1	202140	Hex Head Bolt 5/8" x 7.5"	2
2	202142	Hex Head Bolt 5/8" x 12.0"	3
3	212015	Centered Lock Nut 5/8"	5
4	214014	Machinery Washer 1" I.D. x 1.5" O.D. x 18 GA	2
5	214018	Machinery Washer 5/8" I.D. x 1" O.D.	16
6	214019	Machinery Washer 1" I.D. x 1.5" O.D. x 10GA	2
7	214021	Cup Washer	8
8	222012	Single Split Collar 1" I.D. x 1/2" Thick	2
9	226012	Offset Wheel Assy. (15/600 x 6, 4 Ply Turf) <i>(See Wheel Assy. Drawing Above)</i>	6
10	900091	Rear Tire Extension	1
11	900149	Caster	2
12	003905	Wetlands Kit	1

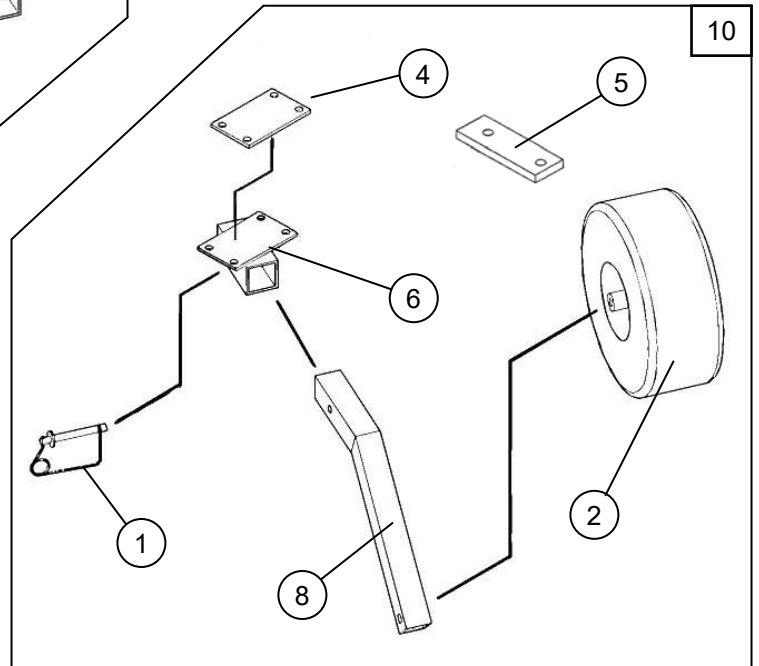
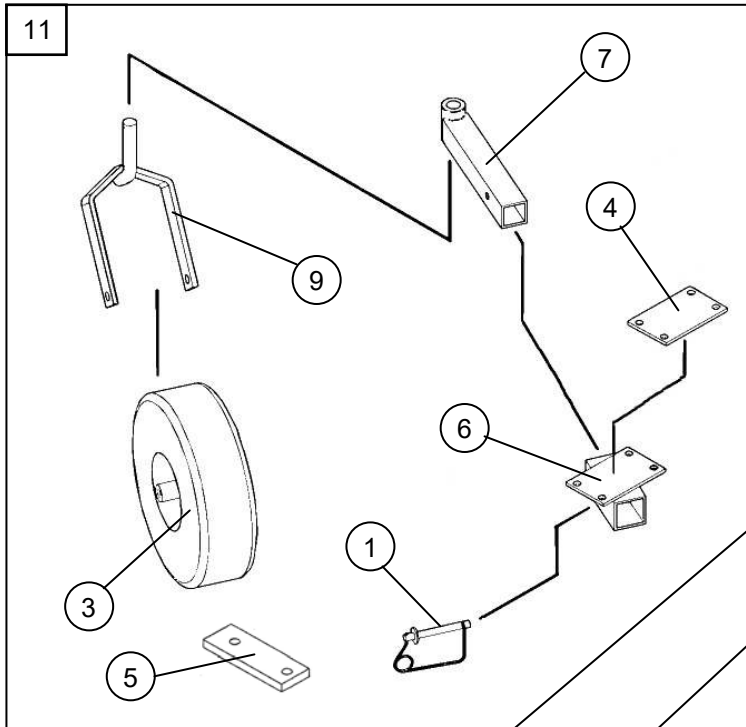
OPTIONAL ELECTRIC LIFT KIT - (PART # 003912)



16

<u>Item</u>	<u>Part #</u>	<u>Description</u>	<u>Qty.</u>
1	235061	Six Contact Socket Connector	1
2	235063	Battery Wiring Harness	1
3	235065	Wiring Harness	1
4	235066	Battery Clip Harness	1
5	235067	Extension Cable	1
6	235070	Actuator Wiring Harness Assy.	1
7	237003	Electric Linear Actuator (8" Stroke)	1
8	264006	Fuse Holder	1
	264009	Fuse (30 Amp)	1
9	264008	Rocker Switch	1
10	277030	Fixed Diameter Cable Clamp	2
11	500010	Control Panel	1
	275020	Lift Control Decal	1
12	600238	Actuator Bracket	2
13	600239	Top Long Support	1
14	600240	Top Short Support	1
15	600269	Actuator Bracket Spacer	2
16	003912	Electric Lift Kit (For 44" Rough Cut Models)	1

OPTIONAL FLOATATION KIT PARTS (PART #'s 003907 & 003908)



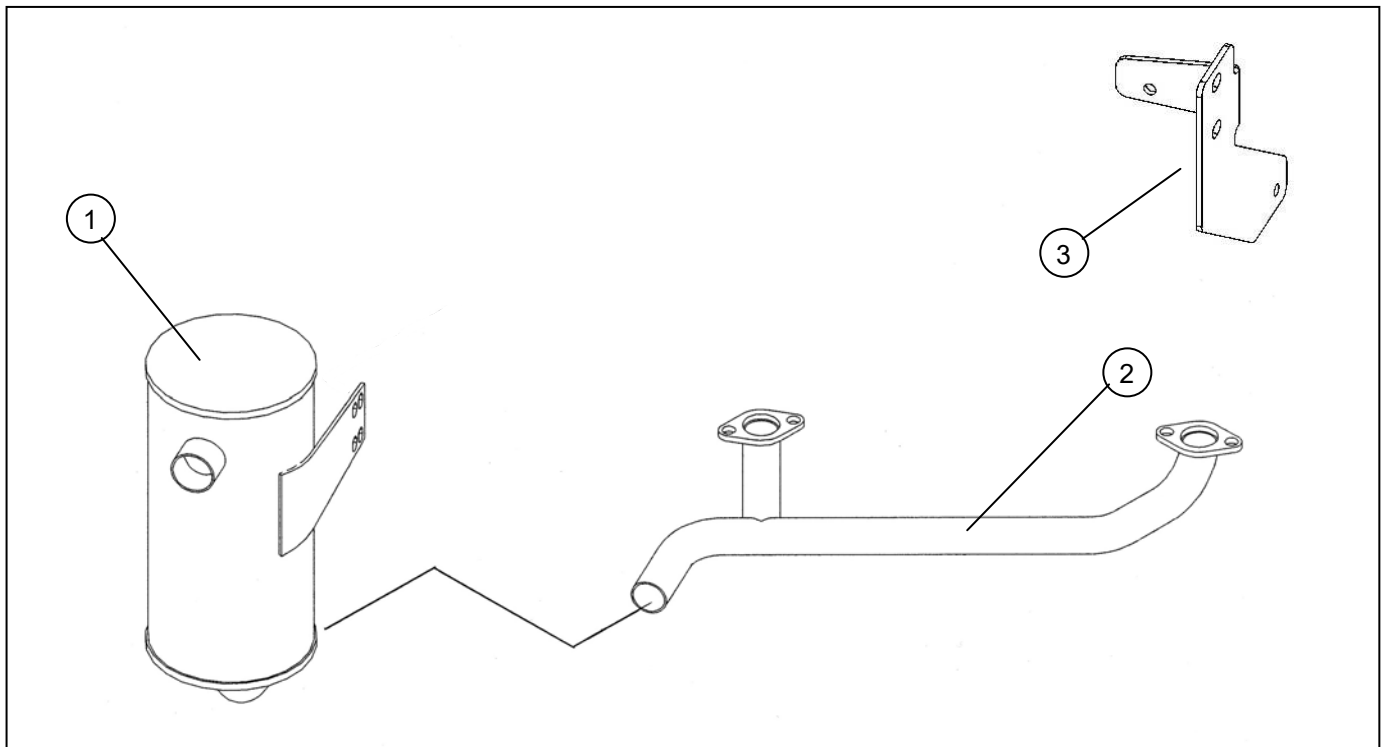
<u>Item</u>	<u>Part #</u>	<u>Description</u>	<u>Qty.</u>
1	216011	Wire Lock Pin (1/2" x 3-1/2" Opening)	2
2	226012	Offset Wheel Assy. (15/600 x 6, 4 Ply Turf) <i>(See Wheel Assy. Drawing Above)</i>	1
3	226013	Centered Wheel Assy. (5.30/4.50 x 6, 4 Ply Stud) <i>(See Wheel Assy. Drawing Above)</i>	1
4	600195	Clamping Flat	2
5	600272	Spacer Flat (1/2" Thick) (Spaces Cross Brace Tubes Up)	4
6	900107	Receiver Assy.	2
7	900108	Caster Support	1
	243010	Plastic Bearing (1-3/8" O.D. x 1.00" I.D., Flange, Nylon)	2
8	900109	Rear Wheel Support	1
9	900148	Caster Fork (Includes 1" Washers) (Replaces Caster Fork 900073, Also Requires 222012)	1
	222012	Single Split Collar (1" I.D. x .1/2" Thick)	1
10	003907	Rear Floatation Kit	1
11	003908	Front Floatation Kit	1

MISCELLANEOUS PARTS

AIR FILTERS, OIL FILTERS, BATTERY ETC.

<u>Part #</u>	<u>Description</u>	<u>Qty.</u>
226014	Flatproof Wheel Assy. (15/600 x 6 - Urethane Foam)(Includes Tire, Rim & Bearings)(Optional Replacement for 226003)	2
226015	Flatproof Wheel Assy. (5.30/4.50 x 6 - Urethane Foam)(Includes Tire, Rim & Bearings)(Optional Replacement for 226004)	2
257533	Air Filter (Filter Only Use 257536 Also), Briggs (798897) - Used on 23HP Briggs Commercial Turf Engines	1
257536	Pre-Cleaner (Use With 257533 Air Filter), Briggs 593217) - Used on 23HP Briggs Commercial Turf Engines	1
264003	Hour/Tach Meter (Digital)	1
264004	Battery (12V AGM Sealed)	1
277025	Tire Sealer - 32 oz Bottle (Each Tire Requires 16 oz)	2
277042	Spare Key for Indak Ignition Switches (Used on 264001 & 264010)	1

MR44BE EXHAUST PARTS -23HP BRIGGS COMMERCIAL TURF



<u>Item</u>	<u>Part #</u>	<u>Description</u>	<u>Qty.</u>
1	257505	Muffler - 5"	1
2	257506	Manifold	1
3	600313	Muffler Bracket	1