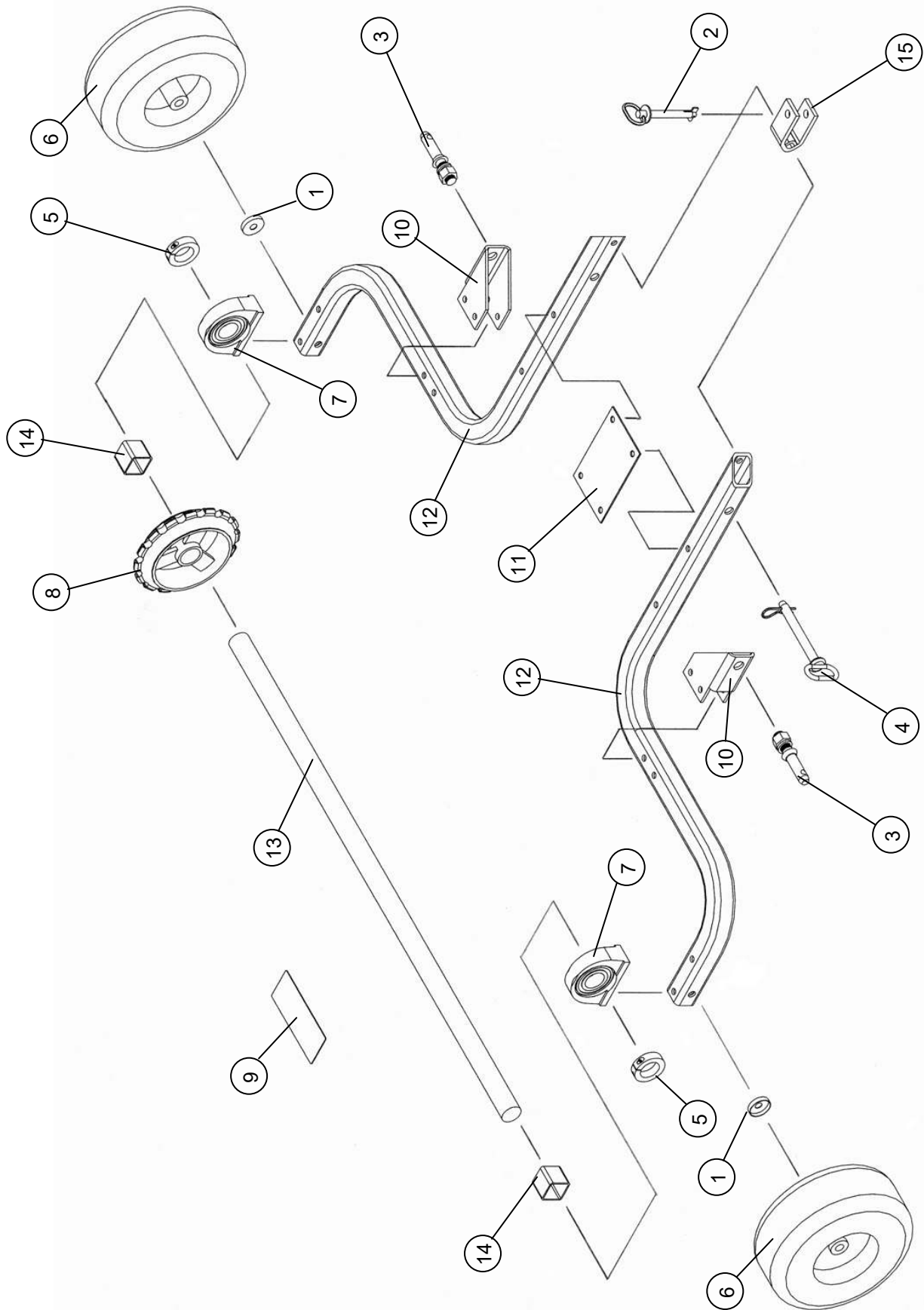


MODELS TP2148, TP2760 & TP3272

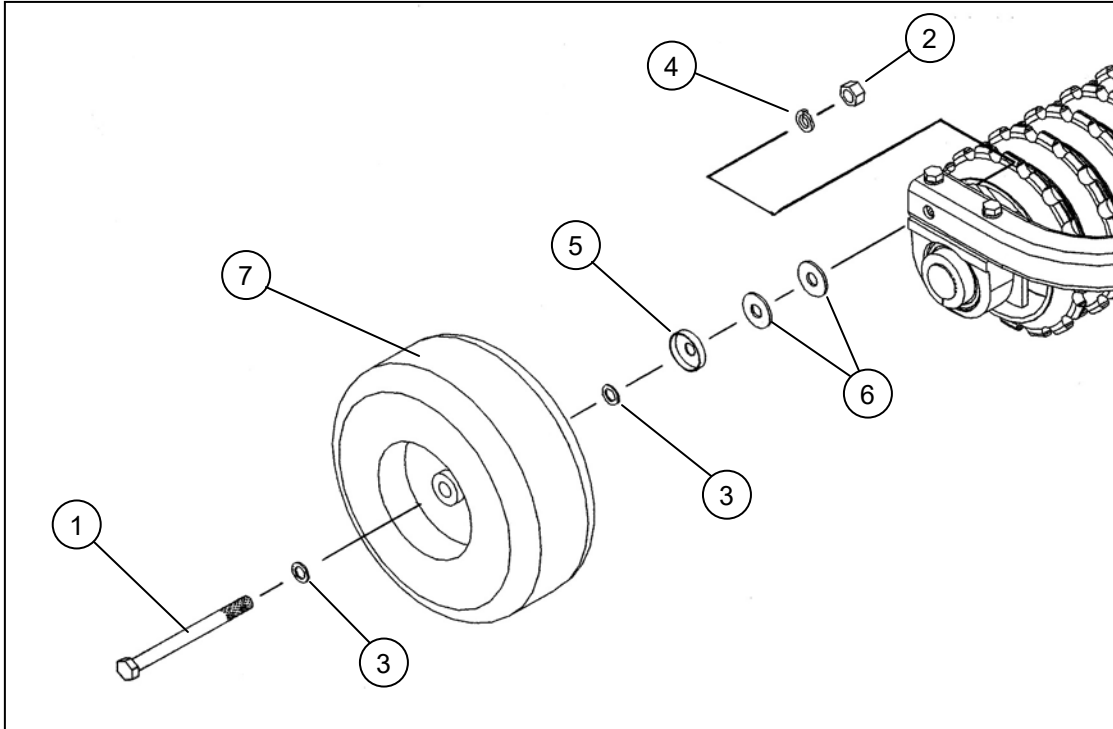
(See drawings below for additional parts)

<u>Item</u>	<u>Part #</u>	<u>Description</u>	<u>Qty.</u>
1	214021	Cup Washer - (Wheel Kit Only)	2
2	216012	Tension Lock Pin (5/8" Dia. x 3-1/2" Long)	1
3	216015	Lift Arm Pin (7/8" Dia. X 5-1/2" Long) - (3-Point Kit Only)	2
4	216016	Fixed Handle Hitch Pin (3/4" Dia. X 7-1/4" Long) - (3-Point Kit Only)	1
5	222013	Single Split Collar (1.75" I.D. x .69" Thick)	2
6	226001	Offset Wheel Assy., Pneumatic Turf Tread 2 Ply (13/500 x 6) - (Wheel Kit Only)(<i>Wheel Assy. Drawing Below</i>)	~
7	243012	Tapped Pillow Block Bearing (45mm Bore)	2
8	259007	Packer Wheel (1-3/4" Shaft, 9-1/2" Dia.)	21-32
9	275018	Till-Ease Name Decal	2
9	275019	Kunz Decal	1
10	500053	3-Point Bracket - (3-Point Kit Only)	2
11	500054	Connector Plate	2
12	500055	Cultipacker Frame - Model TP3272	2
12	500058	Cultipacker Frame - Model TP2148	2
12	500061	Cultipacker Frame - Model TP2760	2
13	500056	Shaft - Model TP3272	1
13	500059	Shaft - Model TP2148	1
13	500062	Shaft - Model TP2760	1
14	500057	Spacer	2
15	800018	Tongue Clevis	1

PARTS DRAWING FOR MODELS TP2148, TP2760 & TP3272



WHEEL ASSEMBLY AND MOUNTING PARTS



<u>Item</u>	<u>Part #</u>	<u>Description</u>	<u>Qty.</u>
1	202140	Hex Head Bolt 5/8" x 7.5"	2
2	212013	Hex Nut - 5/8"	2
3	214018	Machinery Washer 5/8" I.D. x 1" O.D.	4
4	214020	Lock Washer - 5/8"	2
5	214021	Cup Washer	2
6	214029	Std. Flat Washer - 5/8"	4
7	226001	Offset Wheel Assy., (13/500 x 6, 2 Ply Turf) (Includes Tire, Rim & Bearings)	2
	243007	Wheel Bearing-Precision Sealed (1-3/8" O.D. x 5/8" I.D.)	4
	600283	Wheel Bearing Spacer	2