

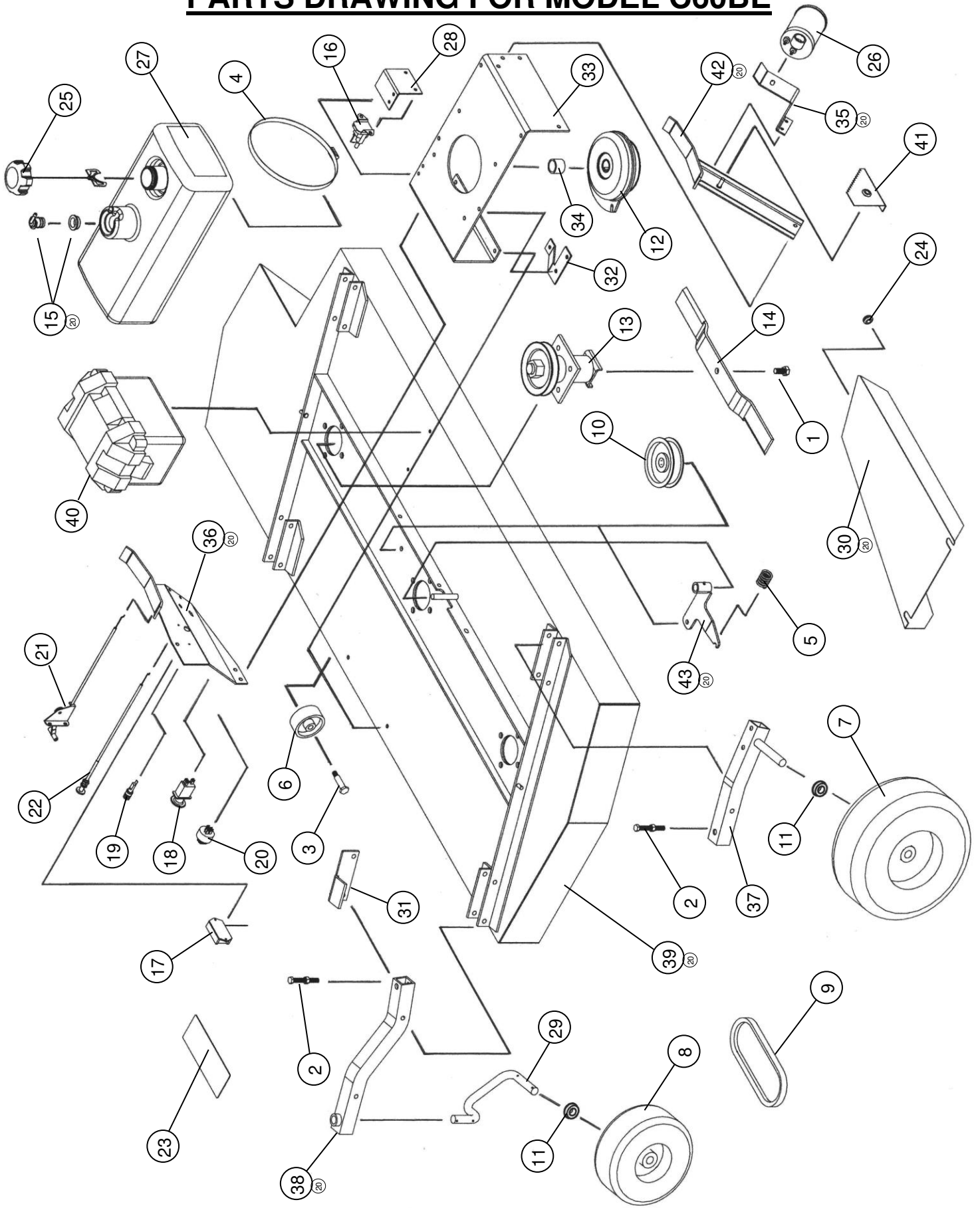
MODEL C60BE

(See drawings below for additional parts)

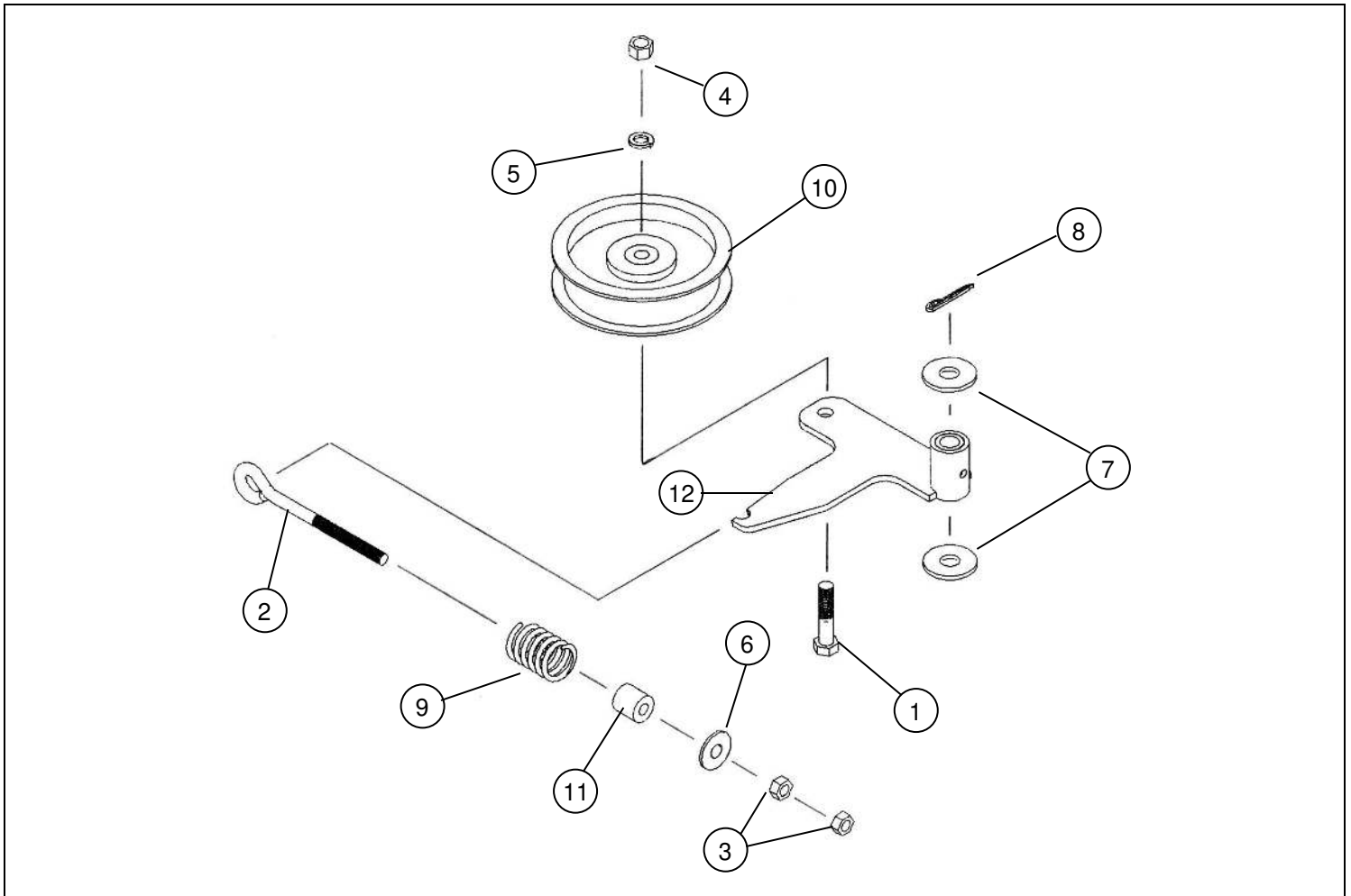
<u>Item</u>	<u>Part #</u>	<u>Description</u>	<u>Qty.</u>
1	202136	Blade Bolt, 1/2"-20NF x 1"	3
2	202135	Hex Head Bolt, 3/8" x 3" Fully Threaded	4
3	204000	Shoulder Bolt, 1/2" x 1-5/8" Shoulder Length	6
4	222005	Worm Drive Hose Clamp (7-7/8" to 9-1/8" Clamping Dia.	2
5	225000	Compression Spring, 1-1/2"L x 1-3/32" O.D. x .135" Wire dia. (Belt Tensioner Drawing Below)	1
6	226000	Plastic Wheel, 3" O.D. x 1/2" I.D. x 1-1/4" Wide	6
7	226001	Offset Wheel Assy., 13/500 x 6, 2 Ply Turf	2
8	226002	Centered Wheel Assy., 9/350 x 4, Flat Proof Urethane Foam	2
9	238002	"V" Belt, B Section, 127" O.C. Dayco B124 Super II	1
	238009	"V" Belt, B Section, 127" O.C. (Kevlar Upgrade for 238002)	1
10	241001	Flat Idler, 4" O.D. x 3/8" Hole (Plastic Replaced with Steel)	2
11	243008	Precision Sealed Wheel Bearings (1-3/8 O.D. x 3/4" I.D.)	8
12	258018	Electric Clutch (200 ft-lb, 5" "V" Sheave, 1" Bore)	1
	235062	Clutch Cable Assembly (Only Used on Warner Electric Brand Clutches)	1
13	258020	Spindle Assy. (See Spindle Drawing Below)	3
14	259001	Offset Mower Blade, 2" Wide, 20" Long, 1/2" Hole	3
15	260004	Roll-Over / Fuel Vapor Valve (Includes Gromet)	1
16	264000	Solenoid	1
17	264003	Hour/Tack Meter	1
18	264005	PTO Switch	1
19	264006	Fuse Holder (10 Amp Fuse)	1
	264007	Fuse (10 Amp - Glass type)(Use with panel mounted style fuse holder 264006)	1
	264014	Fuse (10 Amp - Mini Blade Type)(Only use on models with inline fuse holder)	1
20	264010	Ignition Switch	1
21	269009	Throttle Control, 27"	1
22	269010	Choke Control, 27"	1
23	275001	Control Panel Decal, Starting Instructions	1
23	275002	Warning Decal General	1
23	275003	Danger Decal, Cut Finger	2
23	275007	Warning Decal, Belt Sheild	2
23	275019	Name Decal, Kunz	1
23	275021	Name Decal, AcrEase	2
23	275023	Name Decal, 60" Finish Cut	2
24	277002	Rubber Grommet	7
25	277035	Gas Cap - Audible Click/Tethered, Non-Venting (Only Use with Fuel Tanks with Vent Hose) <i>Note: Gas Cap 277035 is an EPA Certified Component . Only Replace with Gas Cap 277035.</i>	1
26	277036	Carbon Canister - 300cc (California Only) <i>Note: Canister 277036 is an EPA Certified Component . Only Replace with Canister 277036.</i>	1
27	277040	Fuel Tank, 3 Gal. , 3-Layer (Used on 2013 Models and Newer) <i>Note: Fuel Tank 277040 is an EPA Certified Component . Only Replace with Fuel Tank 277040.</i>	1
	277041	Fuel Tank Grommet (Bottom Petcock Location)	1
28	600048	Solenoid Support	1
29	600059	Caster Axle	2
30	600062	Belt Sheild L.H.	1
30	600063	Belt Sheild R.H. (Discharge Side)	1
31	600188	Caster Support Stop	1
32	600198	Clutch Stop	1
33	600201	Engine Support Bracket	1
34	600229	Tube Spacer (Clutch)	1
35	600291	Canister Support (California Only)	1
36	600305	Control Panel	1

<u>Item</u>	<u>Part #</u>	<u>Description</u>	<u>Qty.</u>
37	900005	Rear Axle	2
38	900021	Caster Support	2
39	900029	Mower Deck (Call to Order)	1
40	900049	Battery Box Assy.	1
	264004	Battery (12V AGM Sealed)	1
41	900051	Depth Gage	1
42	900052	Tank Support	1
43	900182	Idler Arm Assy. (Includes Bronze Bearing)	1
	243000	Bronze Bearing, 1/2" I.D. x 3/4" O.D. x 1-1/2" Long	1

PARTS DRAWING FOR MODEL C60BE



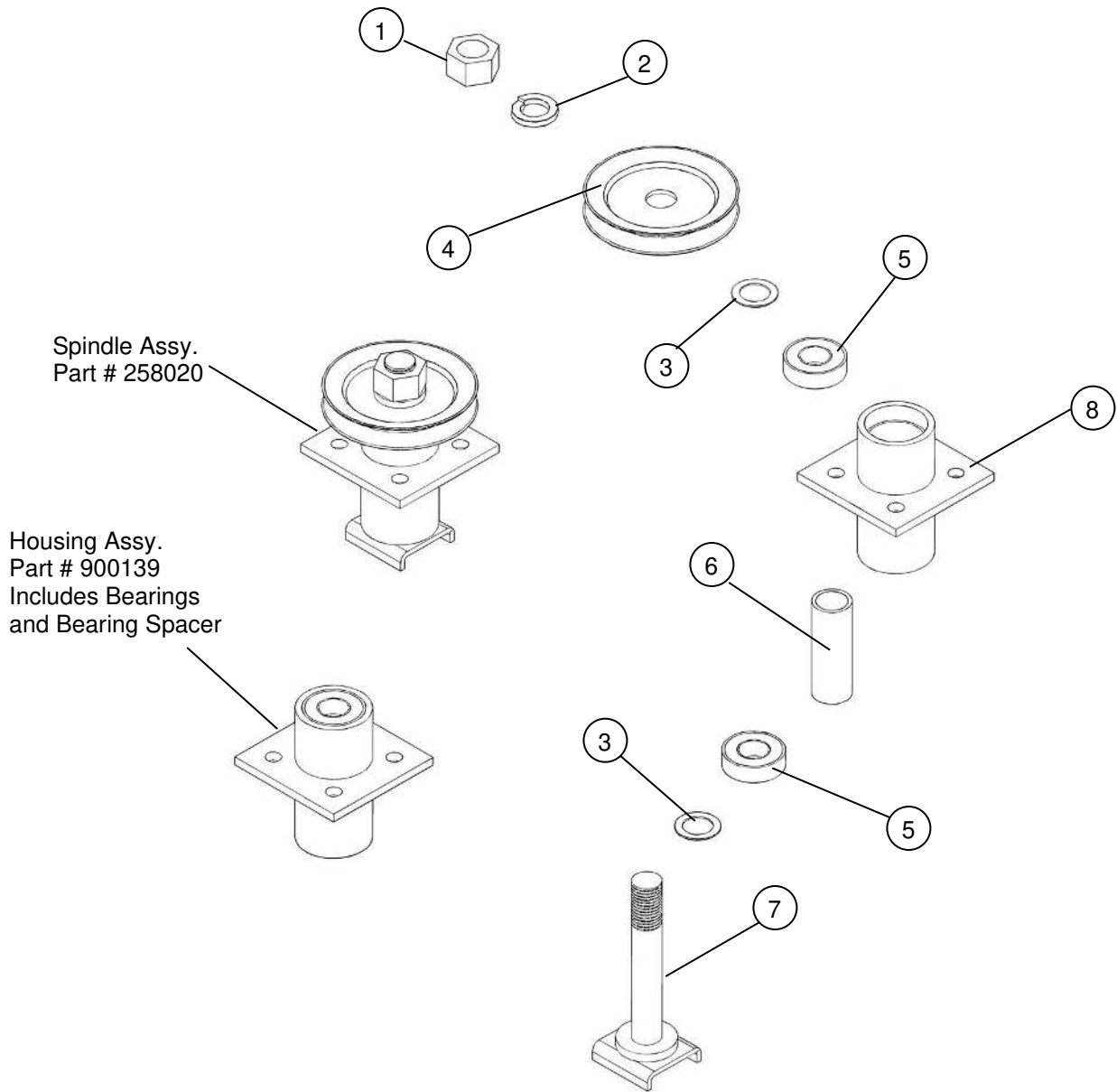
BELT TENSIONER (IDLER ARM) PARTS



<u>Item</u>	<u>Part #</u>	<u>Description</u>	<u>Qty.</u>
1	202040	Hex Head Bolt 3/8" x 1-1/2" Long	1
2	204002	Eye Bolt 5/16" x 4" Usable Length	1
3	212001	Hex Nut 5/16"	2
4	212002	Hex Nut 3/8"	1
5	214002	Lock Washer 3/8"	1
6	214005	Standard Flat Washer 3/8"	1
7	214006	Standard Flat Washer 1/2"	2
8	215000	Cotter Pin, .156" x 1.00" Long	1
9	225000	Compression Spring, 1.50" Long x 1-3/32" O.D. x .135" Wire dia.	1
10	241001	Flat Idler, 4" O.D. x 3/8" Hole (Replaced with Steel)	1
11	277004	Tube Spacer - Nylon 3/4" Long	1
12	900182	Idler Arm Assy. (Includes Bronze Bearing) (Replaces 900025)	1
	243000	Bronze Bearing, 1/2" I.D. x 3/4" O.D. x 1.50" Long	1

PARTS BREAKDOWN FOR COMMERCIAL SPINDLE ASSY.

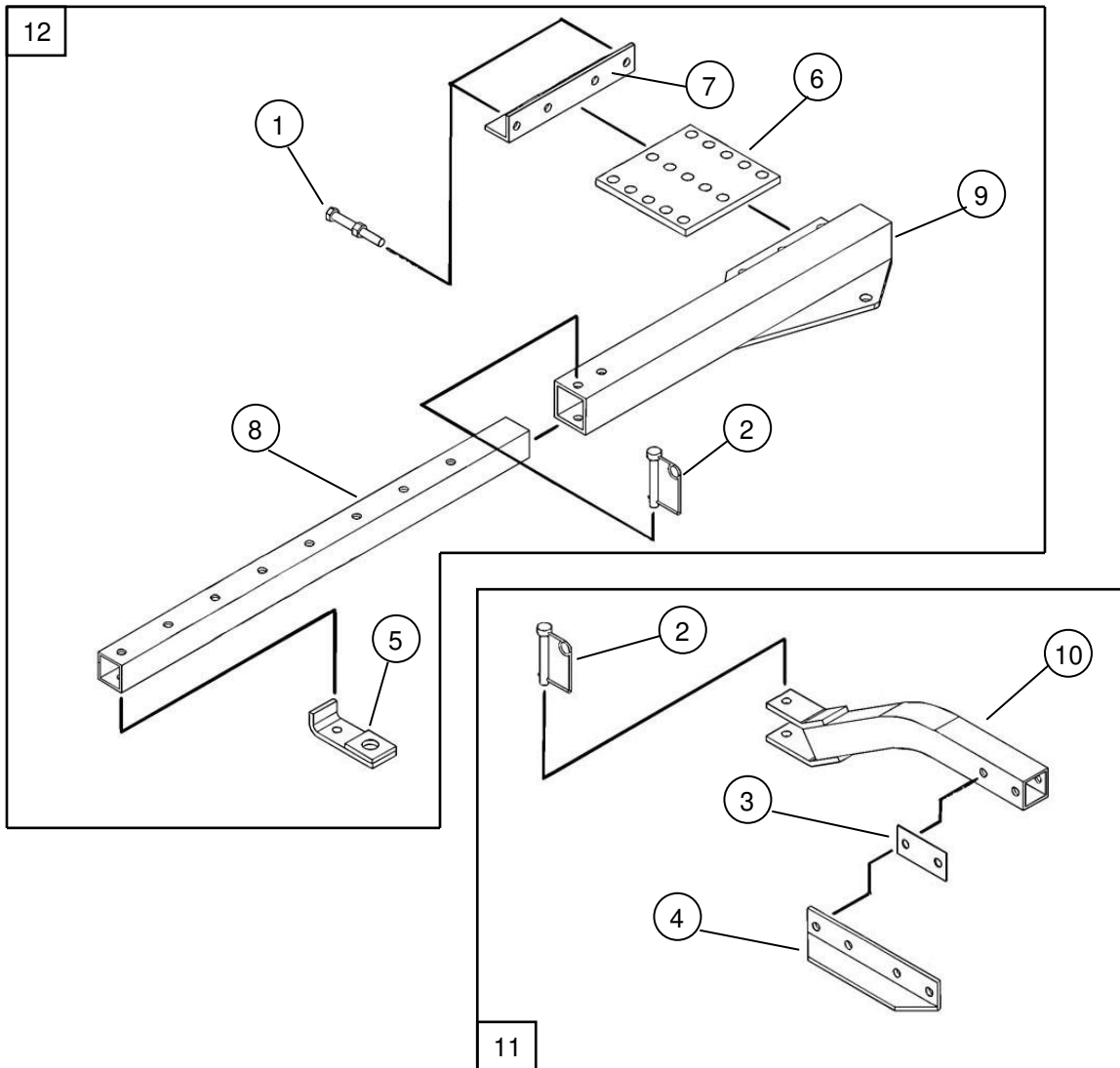
(PART # 258020)



<u>Item</u>	<u>Part #</u>	<u>Description</u>	<u>Qty.</u>
1	212009	Std. Hex Nut 1.00" - 14NF	3
2	214013	Split Lock Washer 1.00"	3
3	214014	Machinery Washer 1.00" I.D. x 18 GA Thick	6
4	241007	"V" Sheave 5.25" Dia. - 25 mm Bore	3
5	243003	Bearing 6205 - 2RST	6
6	600204	Bearing Spacer	3
7	900046	Spindle Shaft	3
8	900121	Spindle Hub (Not Sold Separately, Purchase 900139)	~
	900139	Replacement Housing Assy.	3
	258020	Replacement Spindle Assy.	3

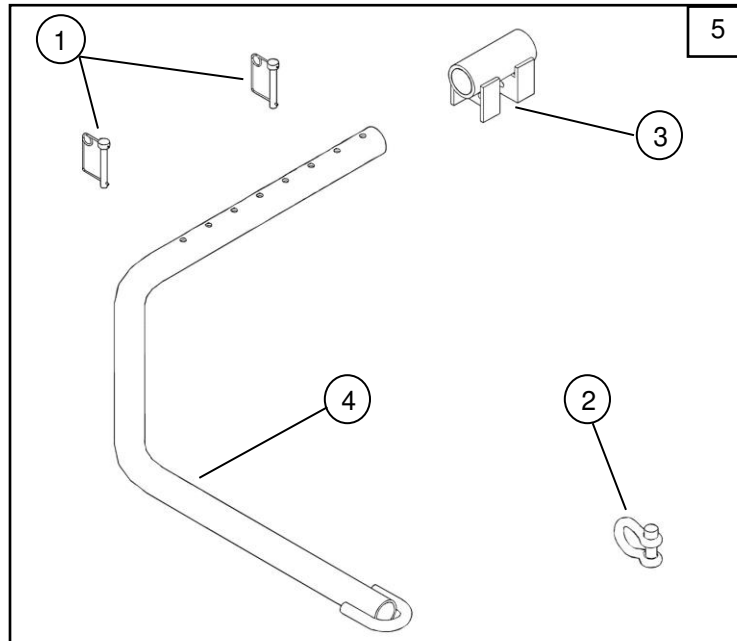
LAWN & GARDEN HITCH PARTS

(PART #'s 900013 & 900028)



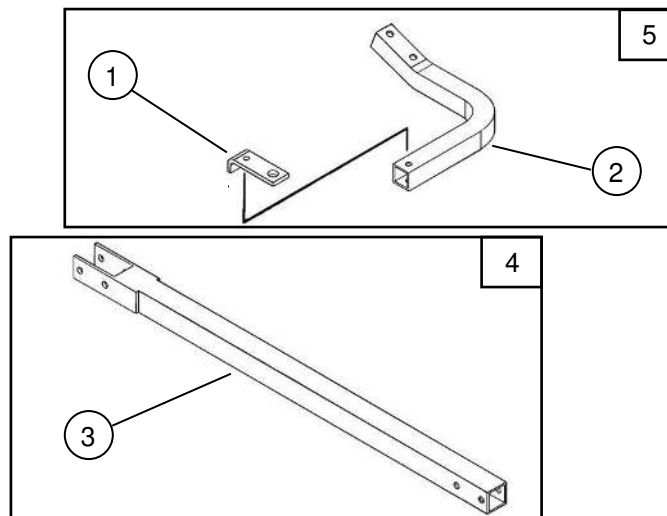
Item	Part #	Description	Qty.
1	202135	Hex Head Bolt, 3/8" x 3" Fully Threaded	2
2	216006	Wire Lock Pin, 3/8" x 2-1/4" Opening	2
3	600001	Spacer	1
4	600002	Tongue Pivot Angle	2
5	900050	Hitch Draw Bar	1
6	600044	Hitch Adaptor Plate	1
7	600009	Hitch Stop Angle	1
8	600043	Hitch Extension	1
9	900026	Telescope Hitch	1
10	900007	Short Tongue	1
11	900013	Short Tongue Assy.	1
12	900028	Hitch Assy. - Telescoping	1

ATV TONGUE PARTS (PART # 900084)



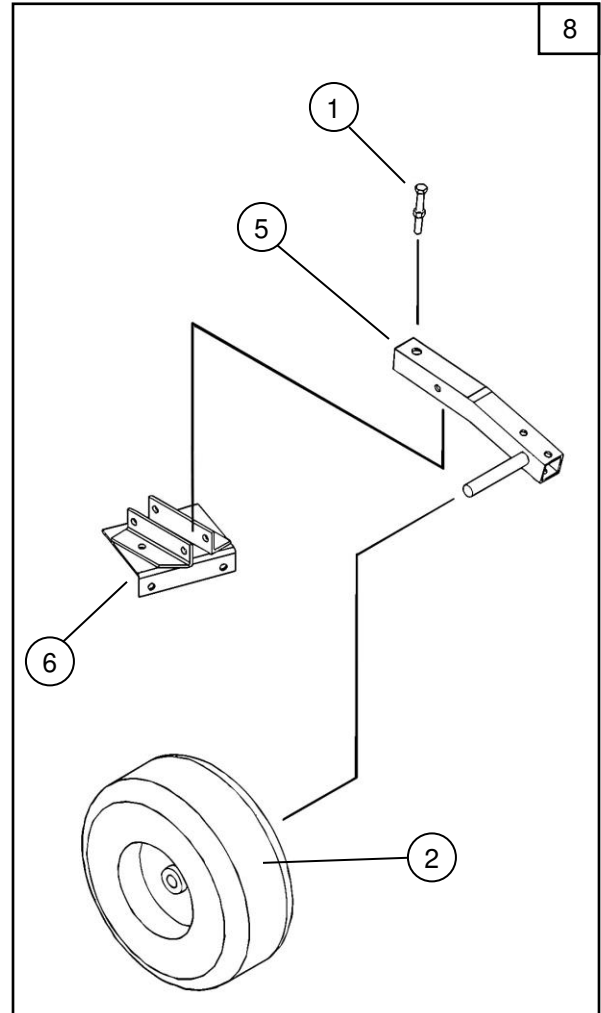
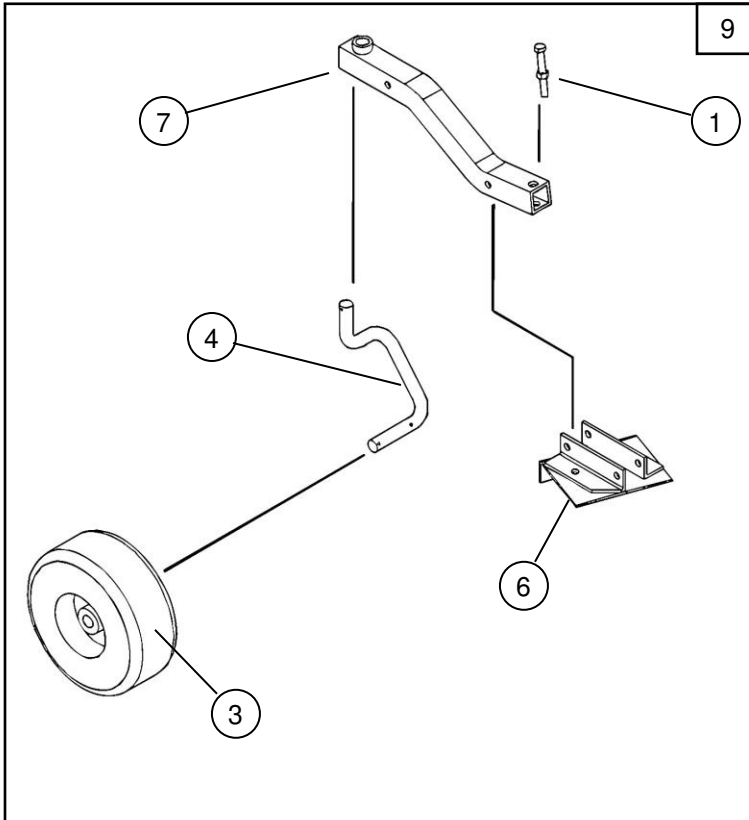
<u>Item</u>	<u>Part #</u>	<u>Description</u>	<u>Qty.</u>
1	216002	Wire Lock Pin .31" X 2.50"	2
2	216009	Screw Pin Shackle Clevis	1
3	900057	Hitch Pivot	1
4	900082	Tongue	1
5	900084	ATV Tongue Assy.	1

OPTIONAL HITCH PARTS (PART #'s 900008 & 900009)



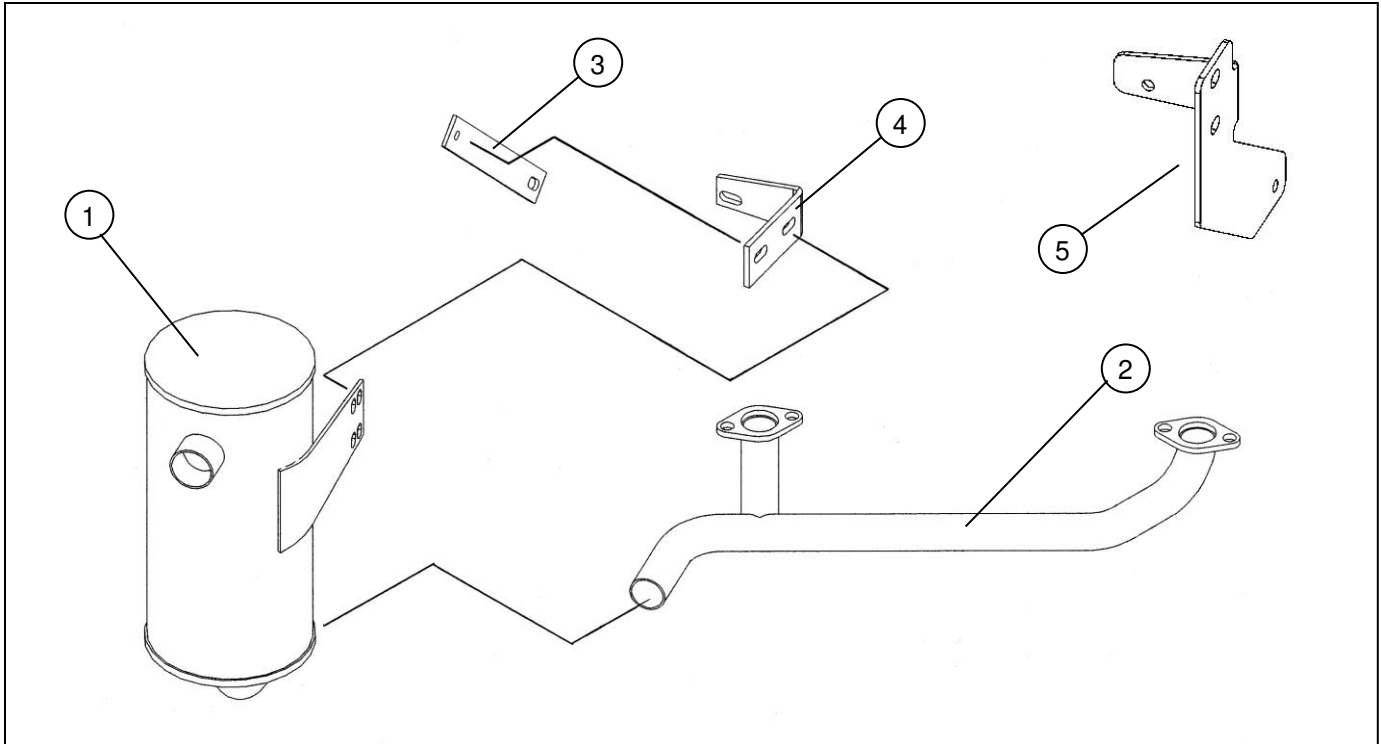
<u>Item</u>	<u>Part #</u>	<u>Description</u>	<u>Qty.</u>
1	600006	Hitch Flat (5/16" Mounting Hole)	1
2	600020	Rear Hitch Tube (Replace with Rear Hitch Assy. 900009)	1
3	900000	Long Tongue Extension (Replace with Long Tongue Assy. 900008)	1
4	900008	Long Tongue Assy.	1
5	900009	Rear Hitch Assy.	1

OPTIONAL FLOATATION KIT PARTS (PART #'s 003902 & 003904)



<u>Item</u>	<u>Part #</u>	<u>Description</u>	<u>Qty.</u>
1	202135	Hex Head Bolt (3/8" x 3" Fully Threaded)	2
2	226001	Offset Wheel Assy. (13/500 x 6, 2 ply turf)	1
	243008	Precision Sealed Wheel Bearings (1-3/8 O.D. x 3/4" I.D.)	2
3	226002	Centered Wheel Assy. (9/3.50 x 4, Flat Proof Urethane Foam)	1
	243008	Precision Sealed Wheel Bearings (1-3/8 O.D. x 3/4" I.D.)	2
4	600059	Caster Axle	1
5	900005	Rear Axle	1
6	900020	Wheel Support	2
7	900021	Caster Support	1
8	003902	Rear Floatation Kit	1
9	003904	Front Floatation Kit	1

C60BE EXHAUST PARTS – 20-23HP BRIGGS COMMERCIAL TURF



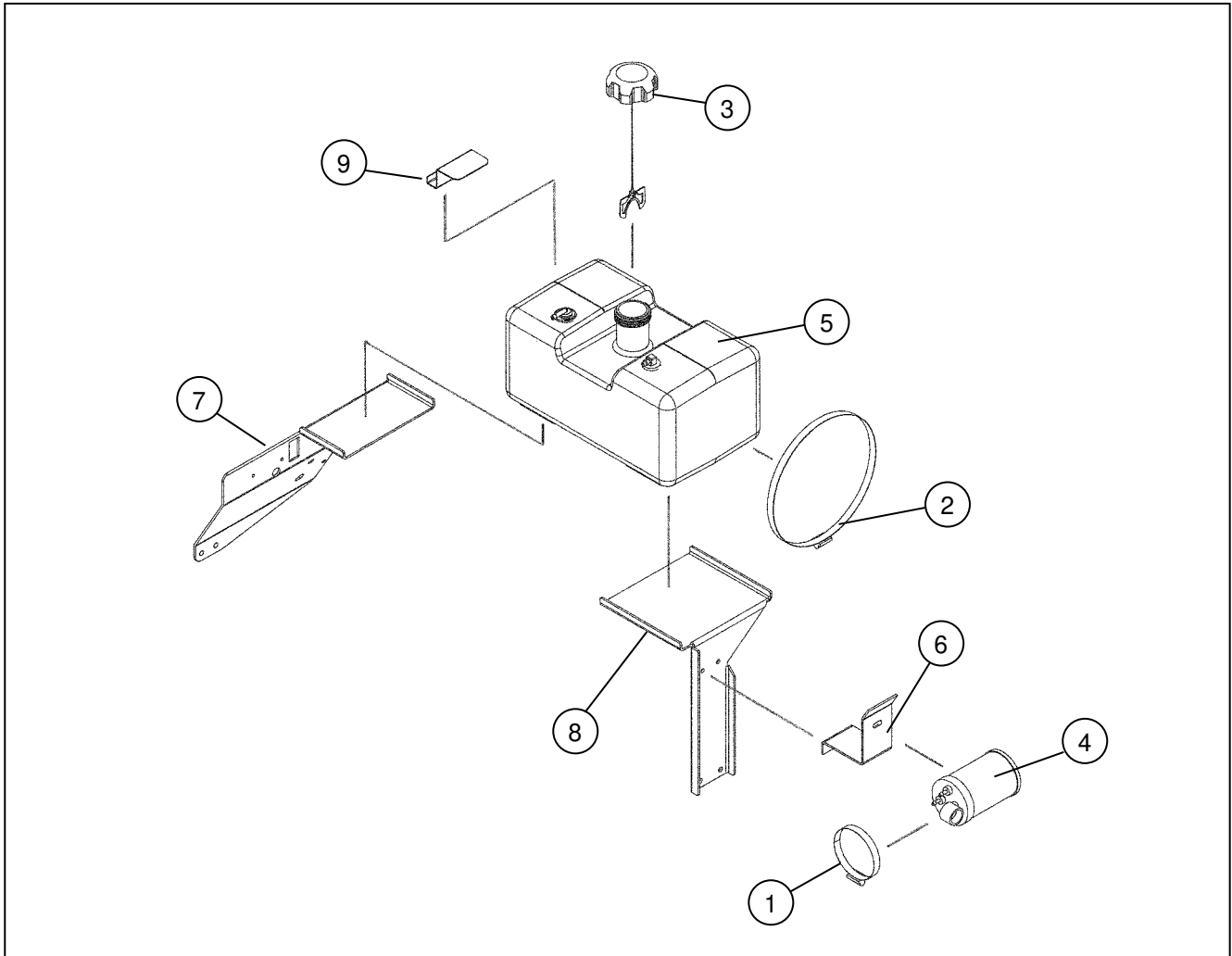
<u>Item</u>	<u>Part #</u>	<u>Description</u>	<u>Qty.</u>
1	257505	Muffler - 5"	1
2	257506	Manifold	1
3	600231	Exhaust Brace (Can be upgraded to 600313)	1
4	600232	Exhaust Support (Can be upgraded to 600313)	1
5	600313	Muffler Bracket (Replaces both 600231 & 600232 with single piece)	1

MISCELLANEOUS PARTS

AIR FILTERS, OIL FILTERS, BATTERY ETC.

<u>Part #</u>	<u>Description</u>	<u>Qty.</u>
257016	Oil Filter, Briggs (696854, Higher Grade Yellow) - All Briggs Models With Oil Filter	1
257533	Air Filter (Filter Only Use 257536 Also), Briggs (798897) - Used on 20-23HP Commercial Turf Engines	1
257536	Pre-Cleaner (Use With 257533 Air Filter), Briggs (593217) - Used on 20-23HP Commercial Turf Engines	1
257539	Fuel Filter, Briggs (845125)	1
257540	Spark Plug, Briggs (491055S)	2
264004	Battery (12V AGM Sealed)	1
277042	Spare Key for Indak Ignition Switches (Used on 264001 & 264010)	1

CALIFORNIA EPA (CARB) PARTS LIST (MODEL YEAR 2020 AND NEWER)



<u>Item</u>	<u>Part #</u>	<u>Description</u>	<u>Quantity</u>
1	222014	Worm Drive Hose Clamp (2-5/16" to 3-1/4" Clamping Dia.)	1
2	222016	Worm Drive Hose Clamp (9-1/4" to 10-1/8" Clamping Dia.)	2
3	277035	Gas Cap - Audible Click/Tethered, Non-Venting	1
4	277036	Carbon Canister - 300cc	1
5	277045	Fuel Tank Assy., 3 Gal., EPA/CARB Certified	1
6	600291	Canister Support	1
7	600317	Control Panel	1
8	600318	Tank Support	1
9	600319	Roll-Over Valve Shield	1