

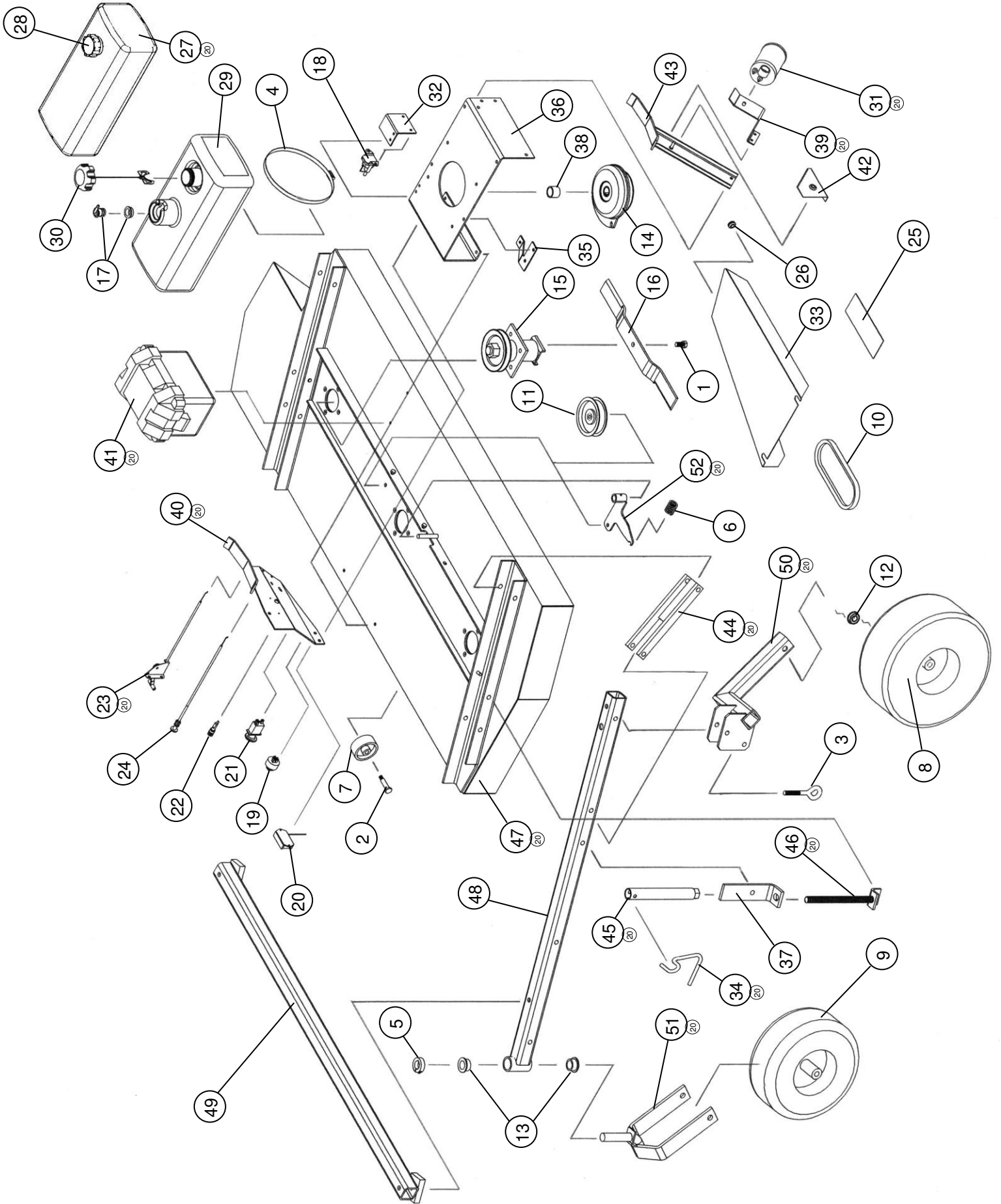
MODELS Pro60K(18HP-25HP), Pro60V & Pro60B

(See drawings below for additional parts)

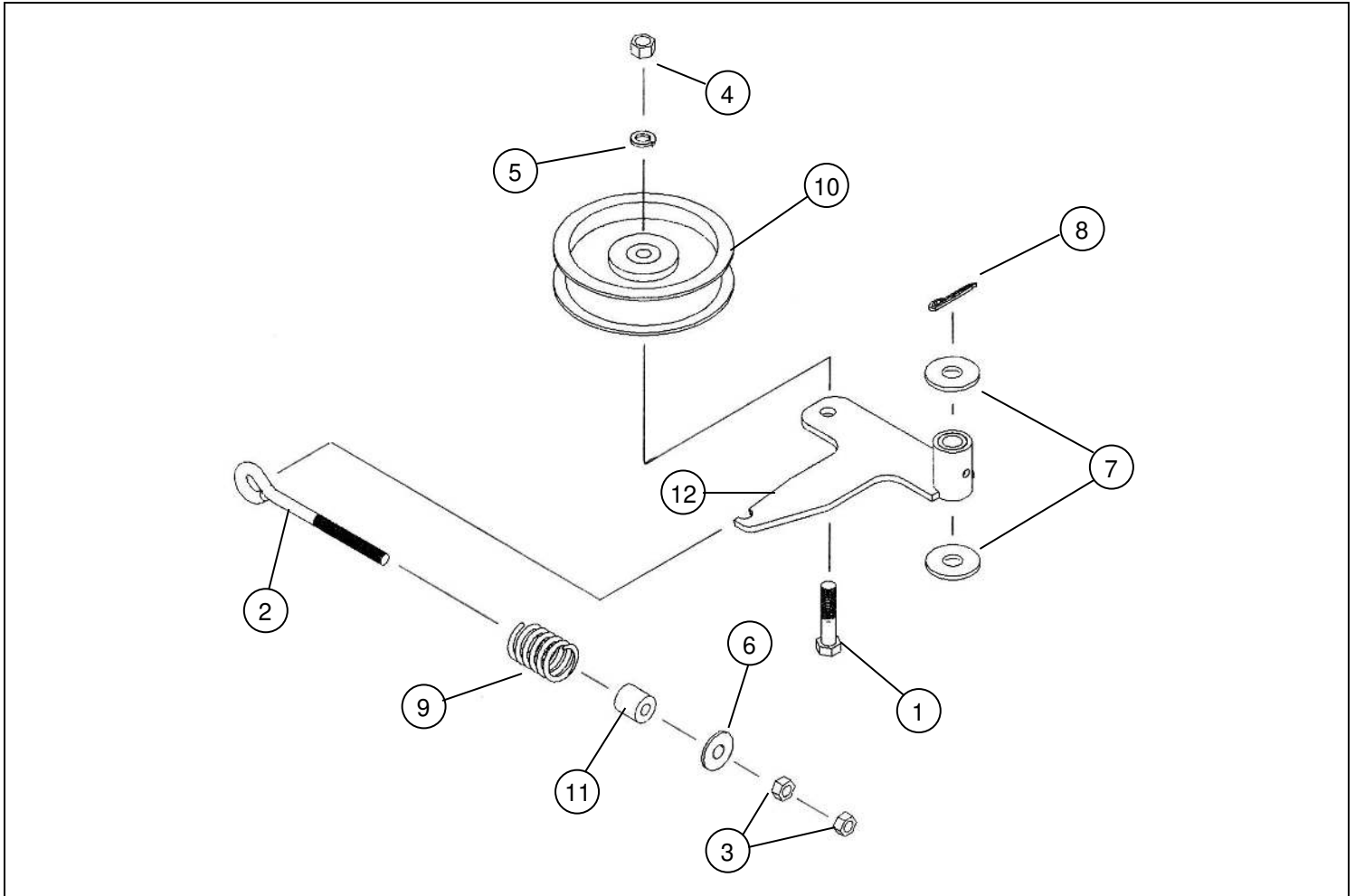
Item	Part #	Description	Qty.
1	202136	Blade Bolt, 1/2"-20NF x 1"	3
2	204000	Shoulder Bolt, 1/2" x 1-5/8" Shoulder Length	6
3	204015	Eye Bolt (Welded)	2
4	222005	Worm Drive Hose Clamp (7-7/8" to 9-1/8" Clamping Dia.	2
5	222012	Single Split Collar (1" I.D. x .1/2" Thick)	2
6	225000	Compression Spring, 1-1/2"L x 1-3/32" O.D. x .135" Wire dia. (Belt Tensioner Drawing Below)	1
7	226000	Plastic Wheel, 3" O.D. x 1/2" I.D. x 1-1/4" Wide	6
8	226012	Offset Wheel Assy., 15/600 x 6, 4 Ply Turf (See Wheel Assy. Drawing Below)	2
9	226016	Centered Wheel Assy., 13/500 x 6, 4 Ply Slick (See Wheel Assy. Drawing Below)	2
10	238002	"V" Belt, B Section, 127" O.C. Carlisle/Dayco B124 Super II	1
	238009	"V" Belt, B Section, 127" O.C. (Kevlar Upgrade for 238002)(Standard on all 2022 Pro60 Models and Newer)	1
11	241001	Flat Idler, 4" O.D. x 3/8" Hole (Plastic Replaced with Steel)	2
12	243007	Precision Sealed Wheel Bearings (1-3/8" O.D. x 5/8" I.D.) (For 226007)	8
12	243015	Precision Sealed Wheel Bearings (2" O.D. x 1" I.D.) (For 226012)	8
13	243010	Plastic Bearing (1-3/8" O.D. x 1.00" I.D., Flange, Nylon)	4
14	258018	Electric Clutch (200 ft-lb, 5" "V" Sheave, 1" Bore) (Model Pro60V, Pro60K-25HP & Pro60B)	1
	235062	Clutch Cable Assembly (1) (On 258018 Clutch - Warner Electric Brand Clutches Only)	1
14	258019	Electric Clutch (125 ft-lb, 5" "V" Sheave, 1" Bore) (Model Pro60K-18HP)	1
15	258020	Spindle Assy. (See Spindle Drawing Below)	3
16	259001	Offset Mower Blade, 2" Wide, 20" Long, 1/2" Hole	3
17	260004	Roll-Over / Fuel Vapor Valve (Includes Gromet)	1
18	264000	Solenoid	1
19	264001	Ignition Switch (Model Pro60K-18HP)	1
19	264010	Ignition Switch (Model Pro60V, Pro60K-25HP & Pro60B)	1
20	264003	Hour/Tack Meter	1
21	264005	PTO Switch	1
22	264006	Fuse Holder (10 Amp Fuse)	1
	264007	Fuse (10 Amp - Glass type)(Use with panel mounted style fuse holder 264006)	1
	264014	Fuse (10 Amp - Mini Blade Type)(Only use on models with inline fuse holder)	1
23	269001	Throttle Control, 15" (Model Pro60K-18HP)	1
23	269008	Throttle Control, 46" (Model Pro60K-25HP)	1
23	269009	Throttle Control, 27" (Model Pro60V & Pro60B)	1
24	269004	Choke Control, 14" (Model Pro60K-18HP)	1
24	269010	Choke Control, 27" (Model Pro60V & Pro60B)	1
24	269011	Choke Control, 46" (Model Pro60K-25HP)	1
25	275001	Control Panel Decal, Starting Instructions	1
25	275002	Warning Decal General	1
25	275003	Danger Decal, Cut Finger	2
25	275007	Warning Decal, Belt Sheild	2
25	275019	Name Decal, Kunz	1
25	275021	Name Decal, AcrEase	2
25	275023	Name Decal, 60" Finish Cut	2
26	277002	Rubber Grommet	7
27	277010	Fuel Tank, 3-3/4 Gal. Plastic (Replace with 277034 and Use 277013)	~
	277041	Fuel Tank Grommet (Bottom Petcock Location)	1
28	277013	Gas Cap - Venting Style (For Fuel Tank 277010 and with Fuel Tank 277035 Without Vent Hose)	1
29	277034	Fuel Tank, 3 Gal. (Replaces Fuel Tank 277010)	1
		<i>Note: Fuel Tank 277034 is an EPA Certified Component . Only Replace with Fuel Tank 277034.</i>	
	277041	Fuel Tank Grommet (Bottom Petcock Location)	1
29	277040	Fuel Tank, 3 Gal., 3-Layer (Used on 2013 Models and Newer)	1
		<i>Note: Fuel Tank 277040 is an EPA Certified Component . Only Replace with Fuel Tank 277040.</i>	
	277041	Fuel Tank Grommet (Bottom Petcock Location)	1

<u>Item</u>	<u>Part #</u>	<u>Description</u>	<u>Qty.</u>
30	277035	Gas Cap - Audible Click/Tethered, Non-Venting (Only Use with Fuel Tanks with Vent Hose) <i>Note: Gas Cap 277035 is an EPA Certified Component . Only Replace with Gas Cap 277035.</i>	1
31	277036	Carbon Canister - 300cc (California Only) <i>Note: Canister 277036 is an EPA Certified Component . Only Replace with Canister 277036.</i>	1
32	600048	Solenoid Support	1
33	600062	Belt Sheild L.H.	1
33	600063	Belt Sheild R.H. (Discharge Side)	1
34	600146	Crank Arm (Includes Press-on Nut)	2
35	600198	Clutch Stop	1
36	600201	Engine Support Bracket	1
37	600212	Upper Pivot Support	2
38	600229	Tube Spacer (Clutch)	1
39	600291	Canister Support (California Only)	1
40	600305	Control Panel (Replaces 900111)	1
41	900049	Battery Box Assy.	1
	264004	Battery (12V AGM Sealed)	1
42	900051	Depth Gage	1
43	900052	Tank Support (Pro60K-18HP & Pro60V)	1
43	600306	Tank Support (Pro60K-25HP & Pro60B)	1
44	900061	Pivot Arm	4
45	900062	Height Adjust Nut	2
46	900066	Screw Adjuster	2
47	900122	Mower Deck (Call to Order)	1
48	900123	Carrier Arm	2
49	900124	Cross Brace Tube	2
50	900125	Rear Wheel Support	2
51	900148	Caster Fork (Includes 1" Washers)	2
52	900182	Idler Arm Assy. (Includes Bronze Bearing)(Replaces 900025) (<i>Belt Tensioner Drawing Below</i>)	1
	243000	Bronze Bearing, 1/2" I.D. x 3/4" O.D. x 1-1/2" Long	1

PARTS DRAWING FOR MODELS Pro60K, Pro60V & Pro60B

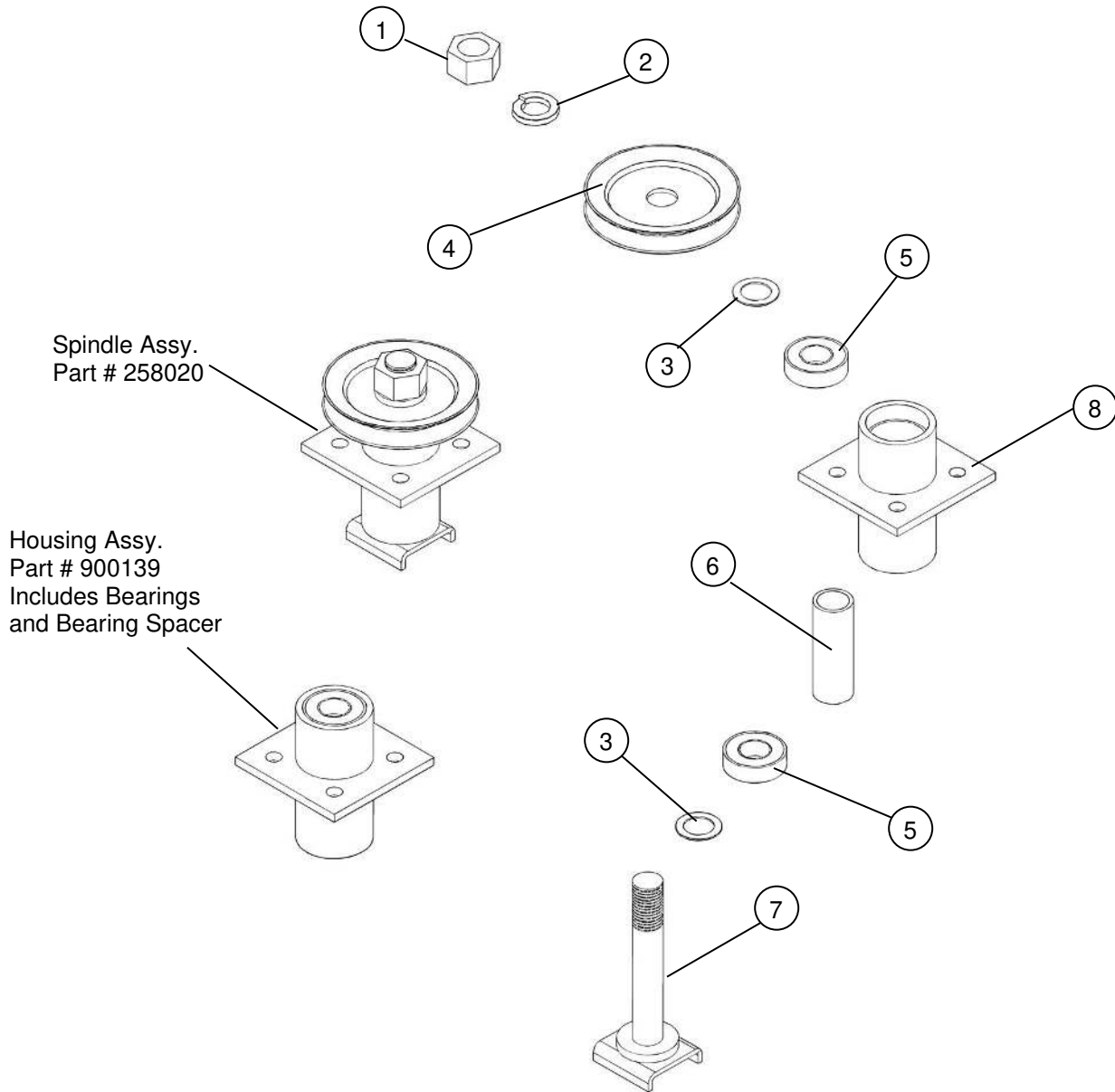


BELT TENSIONER (IDLER ARM) PARTS



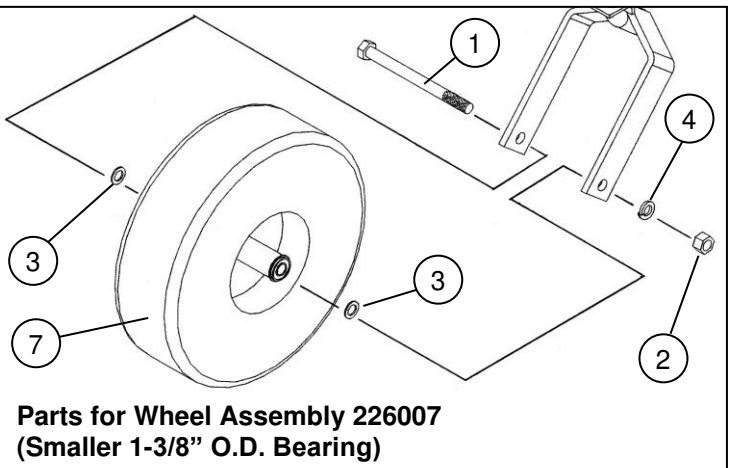
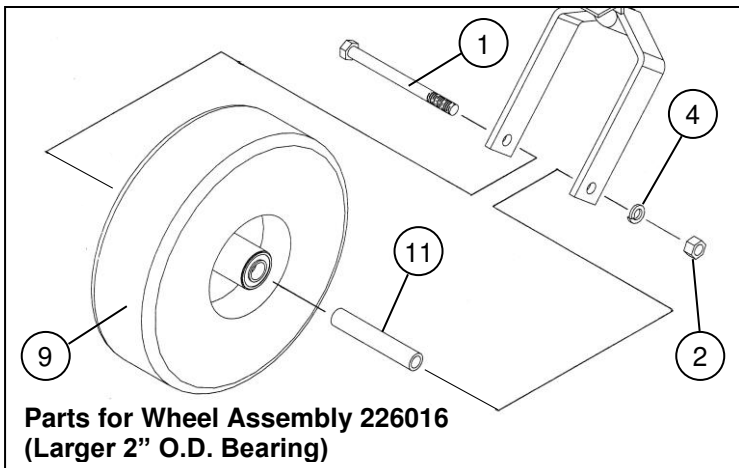
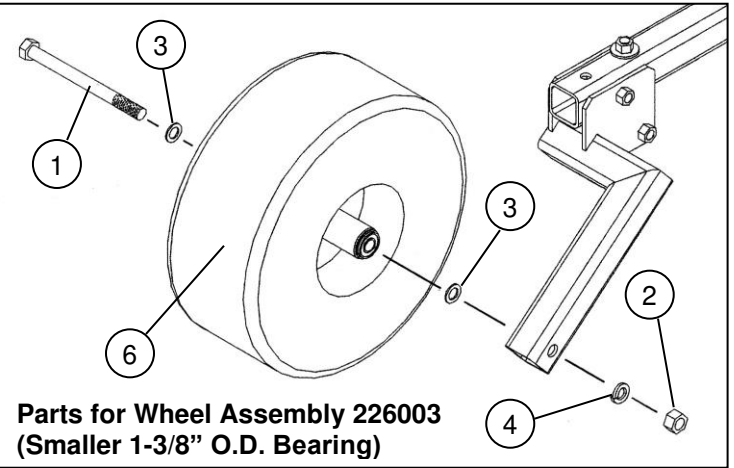
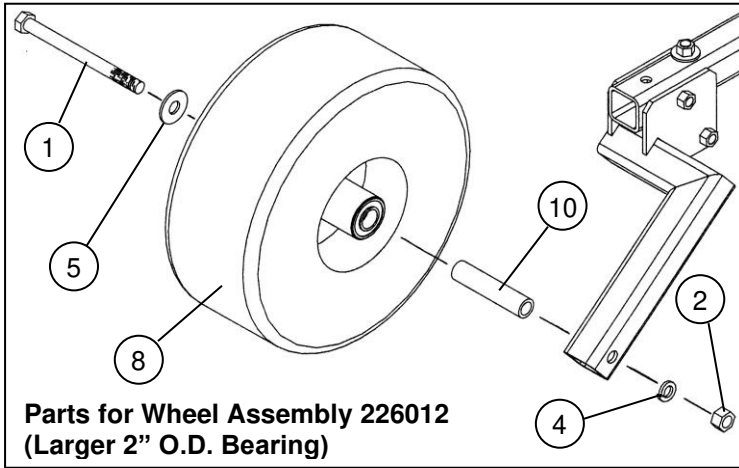
<u>Item</u>	<u>Part #</u>	<u>Description</u>	<u>Qty.</u>
1	202040	Hex Head Bolt 3/8" x 1-1/2" Long	1
2	204002	Eye Bolt 5/16" x 4" Usable Length	1
3	212001	Hex Nut 5/16"	2
4	212002	Hex Nut 3/8"	1
5	214002	Lock Washer 3/8"	1
6	214005	Standard Flat Washer 3/8"	1
7	214006	Standard Flat Washer 1/2"	2
8	215000	Cotter Pin, .156" x 1.00" Long	1
9	225000	Compression Spring, 1.50" Long x 1-3/32" O.D. x .135" Wire dia.	1
10	241001	Flat Idler, 4" O.D. x 3/8" Hole (Replaced with Steel)	1
11	277004	Tube Spacer - Nylon 3/4" Long	1
12	900182	Idler Arm Assy. (Includes Bronze Bearing) (Replaces 900025)	1
	243000	Bronze Bearing, 1/2" I.D. x 3/4" O.D. x 1.50" Long	1

PARTS BREAKDOWN FOR COMMERCIAL SPINDLE ASSY. (PART # 258020)



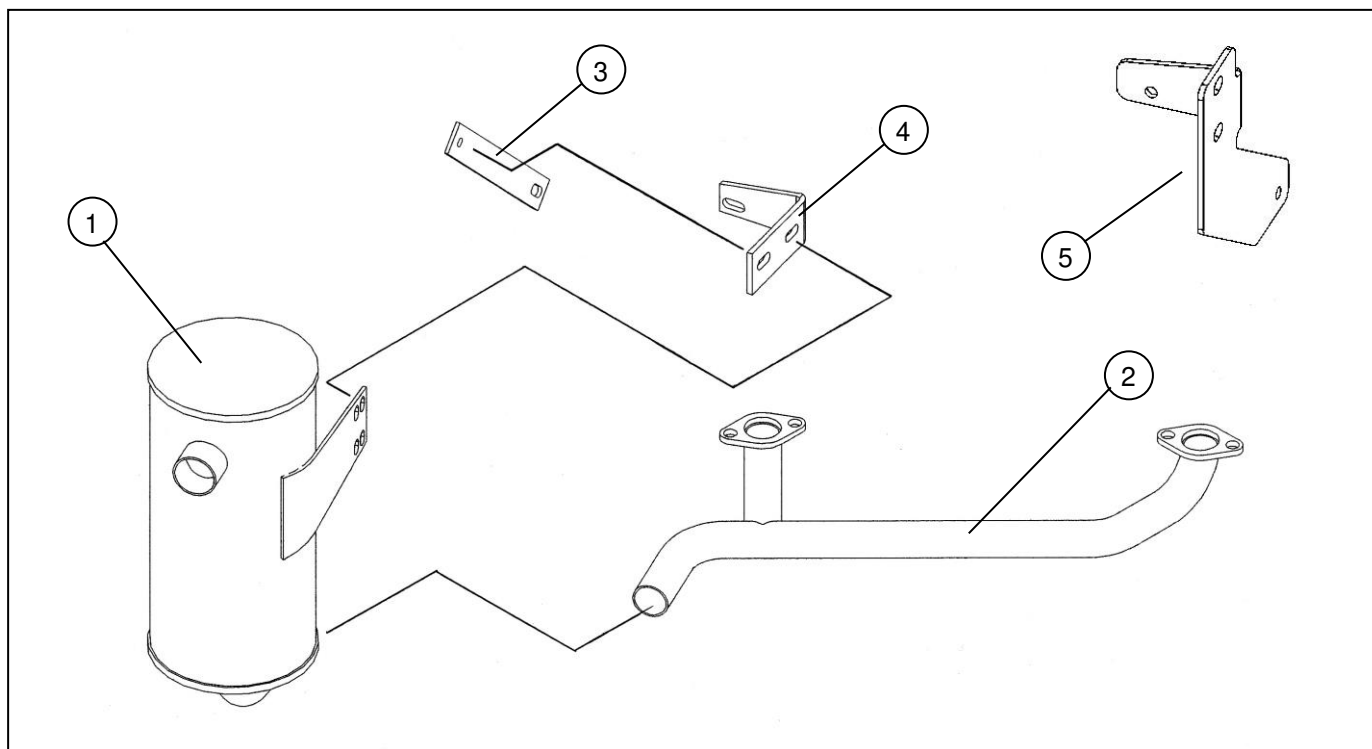
<u>Item</u>	<u>Part #</u>	<u>Description</u>	<u>Qty.</u>
1	212009	Std. Hex Nut 1.00" - 14NF	3
2	214013	Split Lock Washer 1.00"	3
3	214014	Machinery Washer 1.00" I.D. x 18 GA Thick	6
4	241007	"V" Sheave 5.25" Dia. - 25 mm Bore	3
5	243003	Bearing 6205 - 2RST	6
6	600204	Bearing Spacer	3
7	900046	Spindle Shaft	3
8	900121	Spindle Hub (Not Sold Separately, Purchase 900139)	~
	900139	Replacement Housing Assy.	3
	258020	Replacement Spindle Assy.	3

WHEEL ASSEMBLIES AND MOUNTING PARTS



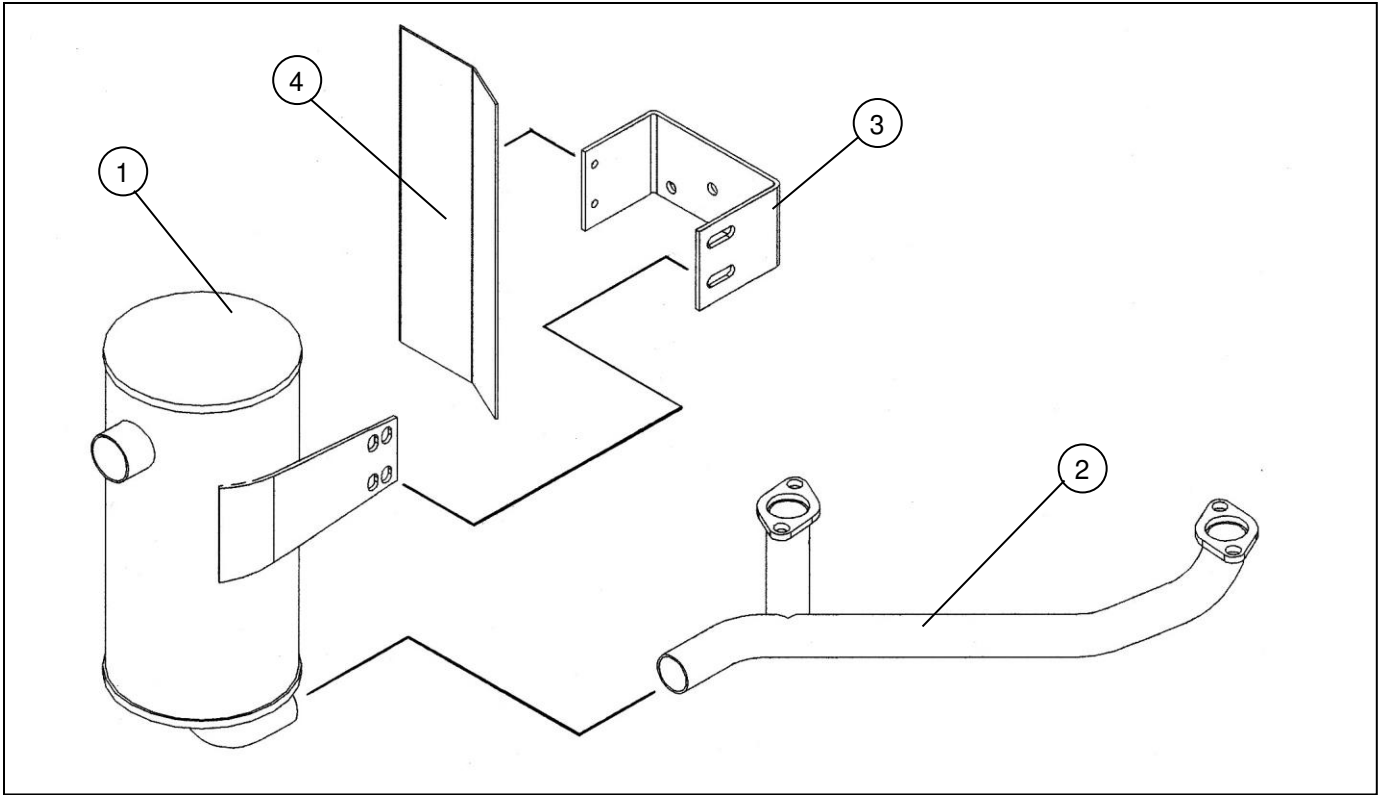
<u>Item</u>	<u>Part #</u>	<u>Description</u>	<u>Qty.</u>
1	202140	Hex Head Bolt 5/8" x 7.5"	4
2	212013	Hex Nut - 5/8"	4
3	214018	Machinery Washer 5/8" I.D. x 1" O.D.	8
4	214020	Lock Washer - 5/8"	4
5	214029	Standard Flat Washer - 5/8"	2
6	226003	Offset Wheel Assy. (15/600 x 6, 4 Ply Turf) (Replace with 226012)	~
	226006	Tire - Replacement (15/600 x 6, 4 Ply Turf)	2
	243007	Precision Sealed Wheel Bearings (1-3/8" O.D. x 5/8" I.D.)	4
	600301	Wheel Bearing Spacer	2
7	226007	Centered Wheel Assy. (13/500 x 6, 4 Ply Slick) (Replace with 226016)	~
	243007	Precision Sealed Wheel Bearings (1-3/8" O.D. x 5/8" I.D.)	4
	600302	Wheel Bearing Spacer	2
8	226012	Offset Wheel Assy. (15/600 x 6, 4 Ply Turf) (Includes Tire, Rim, Bearing & Spanner Tube)	2
	226006	Tire - Replacement (15/600 x 6, 4 Ply Turf)	2
	243015	Precision Sealed Wheel Bearings (2" O.D. x 1" I.D.)	4
9	226016	Centered Wheel Assy. (13/500 x 6, 4 Ply Slick) (Includes Tire, Rim, Bearing & Spanner Tube)	2
	243015	Precision Sealed Wheel Bearings (2" O.D. x 1" I.D.)	4
10	600308	Spanner Tube	2
11	600309	Spanner Tube	2

Pro60B EXHAUST PARTS -27HP BRIGGS COMMERCIAL TURF



<u>Item</u>	<u>Part #</u>	<u>Description</u>	<u>Qty.</u>
1	257505	Muffler - 5"	1
2	257506	Manifold	1
3	600231	Exhaust Brace (Can be upgraded to 600313)	1
4	600232	Exhaust Support (Can be upgraded to 600313)	1
5	600313	Muffler Bracket (Replaces both 600231 & 600232 with single piece)	1

Pro60V EXHAUST PARTS – 23HP VANGUARD



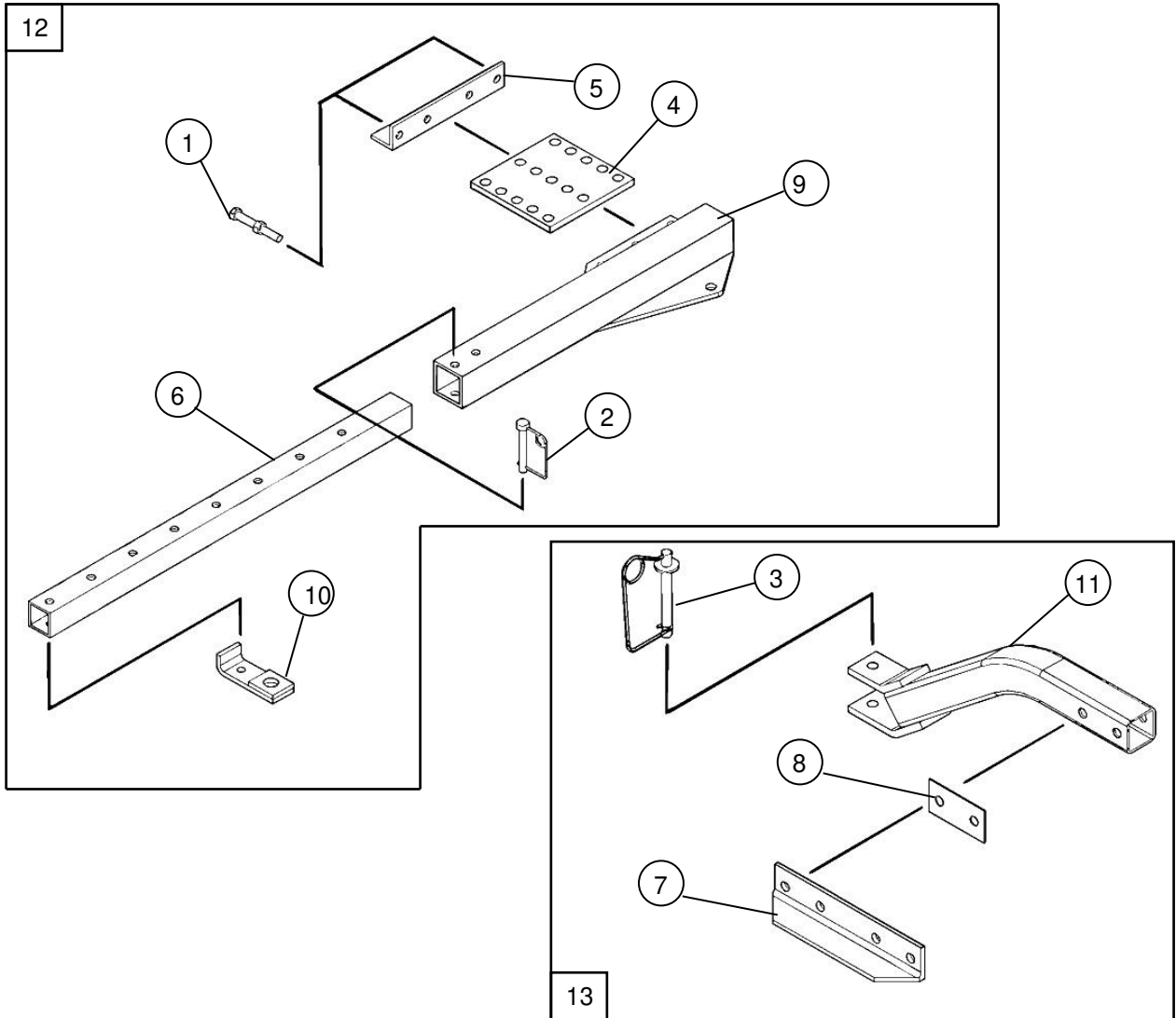
<u>Item</u>	<u>Part #</u>	<u>Description</u>	<u>Qty.</u>
1	257505	Muffler - 5" (Used on 23HP Briggs Vanguard and Briggs Intek Engines)	1
2	257509	Manifold (Used on 23HP Briggs Vanguard Engines)	1
3	600284	Muffler Bracket	1
4	600285	Heat Deflector	1

AIR FILTERS, OIL FILTERS, BATTERY ETC.

<u>Part #</u>	<u>Description</u>	<u>Qty.</u>
257500	Oil Filter, Kohler (12-050-01-S) - Used on 18HP Kohler Command Engines - Replace with 257503	~
257503	Oil Filter, Kohler (52-050-02-S) - Used on 25HP Kohler Confidant Engines	1
257507	Air Filter (Filter Only Use 257508 Also), Kohler (12-083-10-S) - Used on 18HP Kohler Command Engines	1
257508	Pre-Cleaner (Use with 257507 Air Filter), Kohler (12-083-12-S) - Used on 18HP Kohler Command Engines	1
257516	Oil Filter, Briggs (696854, Higher Grade Yellow) - All Briggs Models With Oil Filter	1
257517	Air Filter (Filter Only Use 257518 Also), Briggs (692519) - Used on 23HP Briggs Vanguard	1
257518	Pre-Cleaner (Use With 257517 Air Filter), Briggs (692520) - Used on 23HP Briggs Vanguard	1
257533	Air Filter (Filter Only Use 257536 Also), Briggs (798897) - Used on 27HP Briggs Commercial Turf Engines	1
257536	Pre-Cleaner (Use With 257533 Air Filter), Briggs (593217) - Used on 27HP Briggs Commercial Turf Engines	1
257534	Air Filter (Filter Only Use 257535 Also), Kohler (16-083-01-S) - Used on 25HP Kohler Confidant Engines	1
257535	Pre-Cleaner (Use With 257534 Air Filter), Kohler (16-083-02-S) - Used on 25HP Kohler Confidant Engines	1
257538	Manifold/Muffler (Single Piece) (Used on Kohler Confidant Engines - Replaces Older Two Piece Systems)	1
257539	Fuel Filter, Briggs (845125)	1
257540	Spark Plug, Briggs (491055S)	2
264004	Battery (12V AGM Sealed)	1
277025	Tire Sealer - 32 oz Bottle (Each Tire Requires 16 oz)	2
277042	Spare Key for Indak Ignition Switches (Used on 264001 & 264010)	1

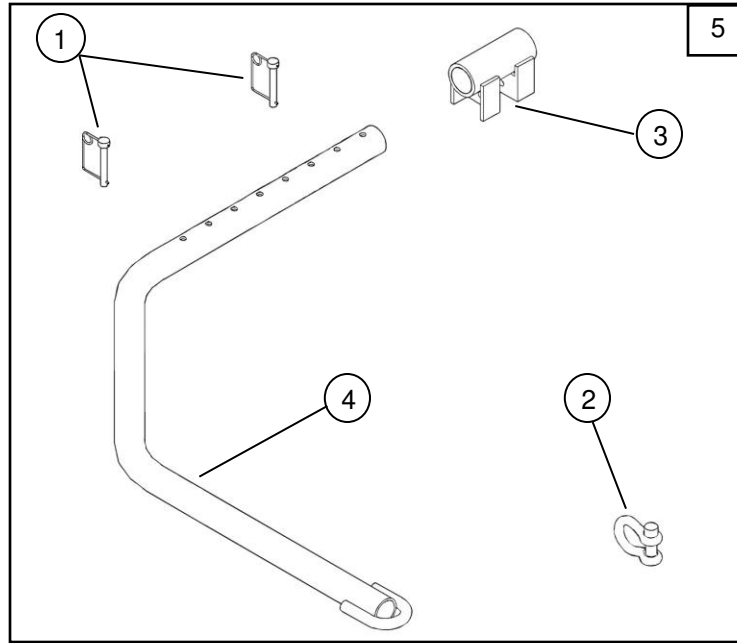
LAWN & GARDEN HITCH PARTS

(PART #'s 900138 & 900028)



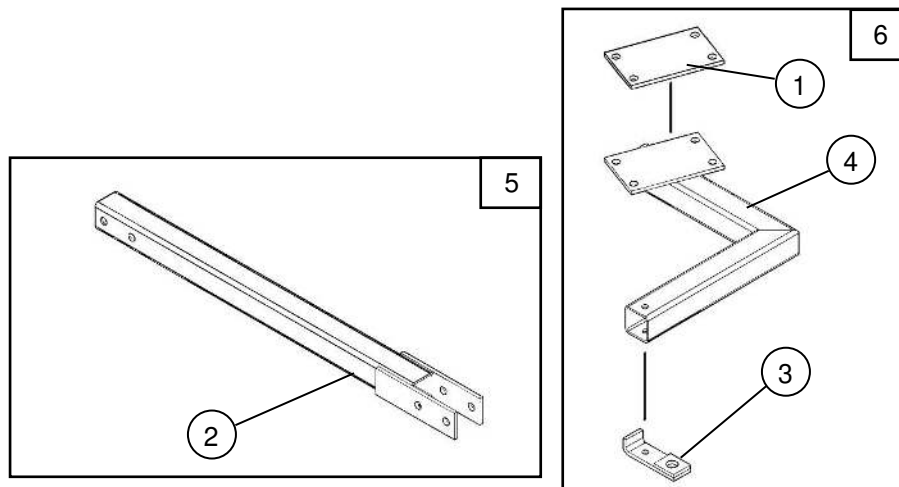
<u>Item</u>	<u>Part #</u>	<u>Description</u>	<u>Qty.</u>
1	202135	Hex Head Bolt, 3/8" x 3" Fully Threaded	2
2	216006	Wire Lock Pin, 3/8" x 2-1/4" Opening	1
3	216011	Wire Lock Pin, 1/2" x 3-1/2" Opening	1
4	600044	Hitch Adaptor Plate	1
5	600009	Hitch Stop Angle	1
6	600043	Hitch Extension	1
7	600219	Tongue Pivot Angle	2
8	600228	Spacer	1
9	900026	Telescope Hitch	1
10	900050	Hitch Draw Bar	1
11	900130	Short Tongue	1
12	900028	Hitch Assy. - Telescoping	1
13	900138	Short Tongue Assy.	1

ATV TONGUE PARTS (PART # 900083)



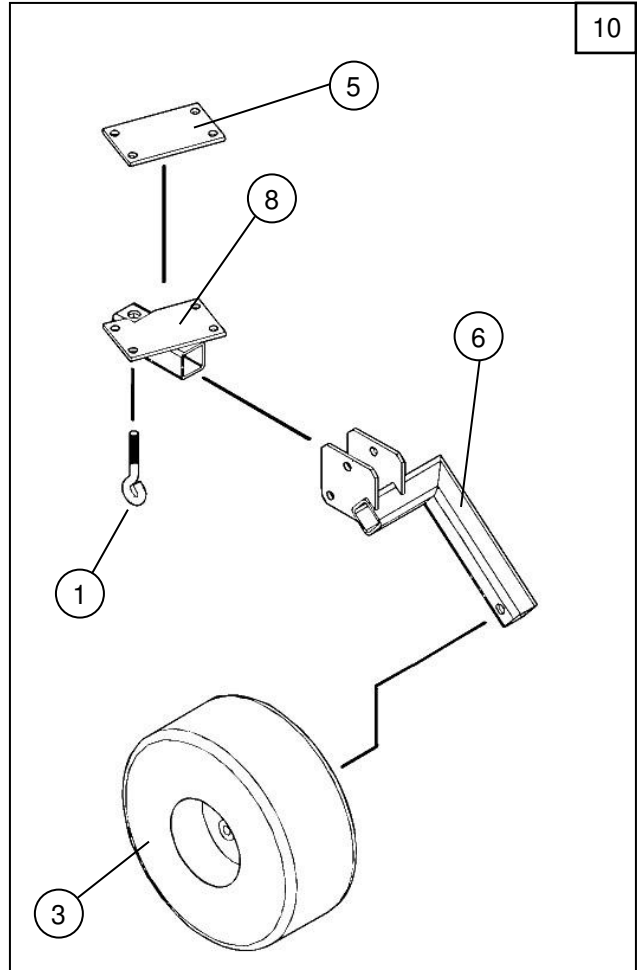
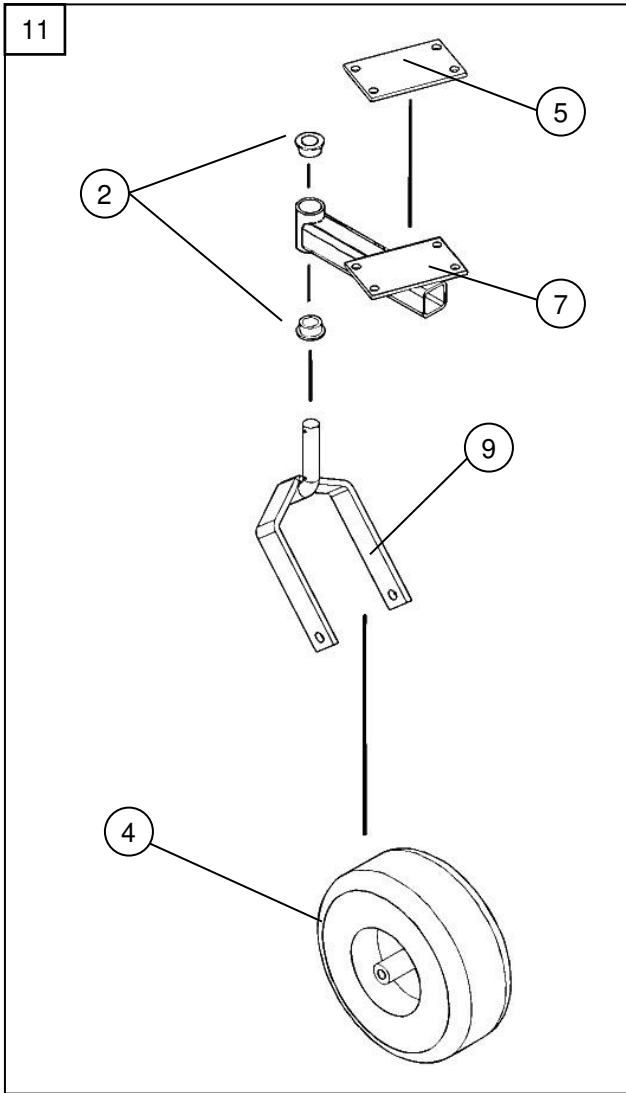
<u>Item</u>	<u>Part #</u>	<u>Description</u>	<u>Qty.</u>
1	216002	Wire Lock Pin .31" X 2.50"	2
2	216009	Screw Pin Shackle Clevis	1
3	900058	Hitch Pivot	1
4	900082	Tongue	1
5	900083	ATV Tongue Assy.	1

OPTIONAL HITCH PARTS (PART #'s 900136 & 900137)



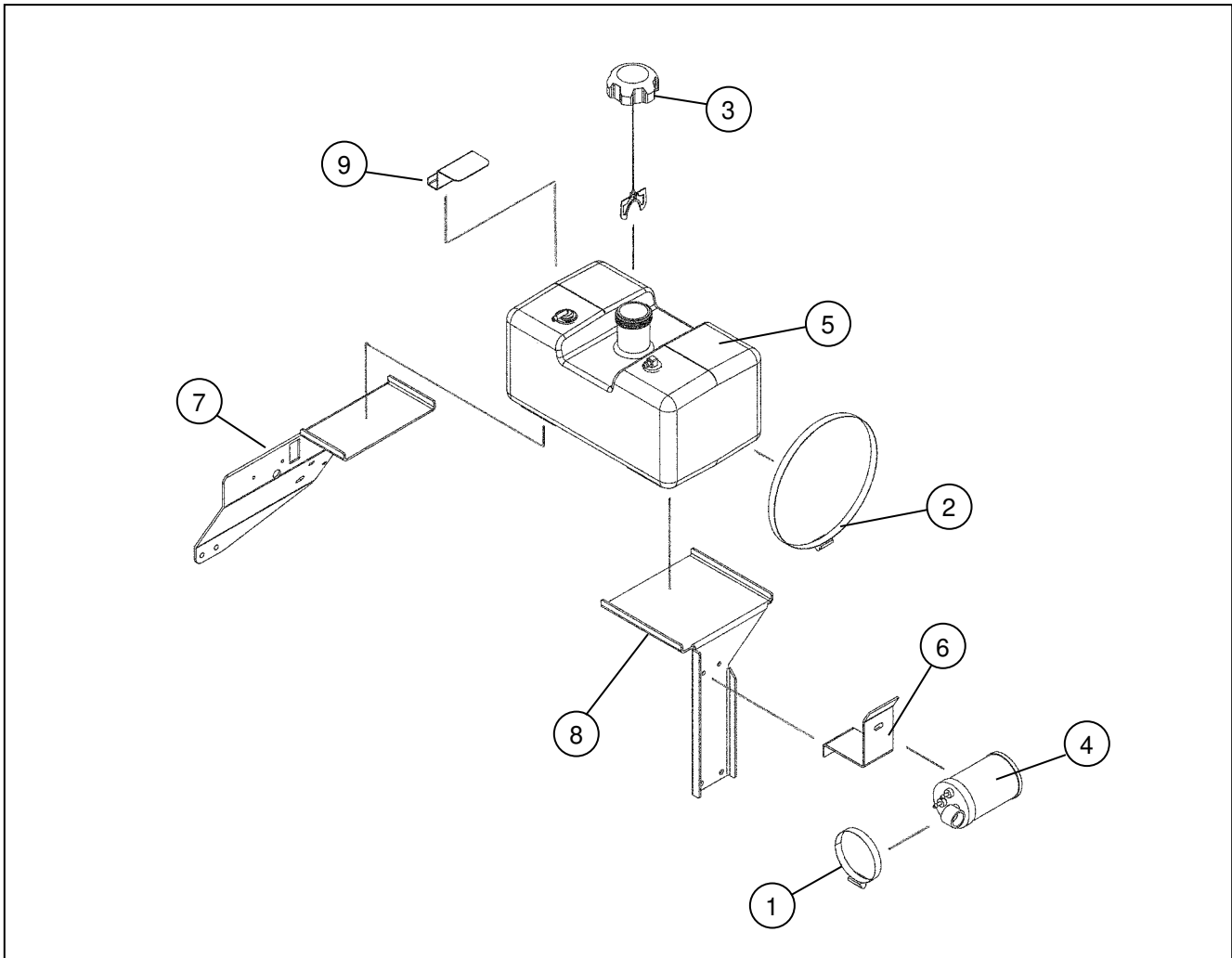
<u>Item</u>	<u>Part #</u>	<u>Description</u>	<u>Qty.</u>
1	600195	Clamping Flat	1
2	900131	Long Tongue Extension (Replace With Long Tongue Assy. 900136)	1
3	900132	Hitch Draw Bar	1
4	900133	Rear Hitch	1
5	900136	Long Tongue Assy.	1
6	900137	Rear Hitch Assy.	1

OPTIONAL FLOATATION KIT PARTS (PART #'s 003910 & 003911)



<u>Item</u>	<u>Part #</u>	<u>Description</u>	<u>Qty.</u>
1	204015	Eye Bolt (Welded)	1
2	243010	Plastic Bearing (1-3/8" O.D. x 1.00" I.D., Flange, Nylon)	2
3	226012	Offset Wheel Assy., 15/600 x 6, 4 Ply Turf (<i>See Wheel Assy. Drawing Above</i>)	1
4	226016	Centered Wheel Assy., 13/500 x 6, 4 Ply Slick (<i>See Wheel Assy. Drawing Above</i>)	1
5	600195	Clamping Flat	2
6	900125	Rear Wheel Support	1
7	900134	Caster Support	1
8	900135	Rear Wheel Mount	1
9	900148	Caster Fork	1
	222012	Single Split Collar (1" I.D. x .1/2" Thick)	1
10	003910	Rear Floatation Kit	1
11	003911	Front Floatation Kit	1

CALIFORNIA EPA (CARB) PARTS LIST (MODEL YEAR 2020 AND NEWER)



<u>Item</u>	<u>Part #</u>	<u>Description</u>	<u>Quantity</u>
1	222014	Worm Drive Hose Clamp (2-5/16" to 3-1/4" Clamping Dia.)	1
2	222016	Worm Drive Hose Clamp (9-1/4" to 10-1/8" Clamping Dia.)	2
3	277035	Gas Cap - Audible Click/Tethered, Non-Venting	1
4	277036	Carbon Canister - 300cc	1
5	277045	Fuel Tank Assy., 3 Gal., EPA/CARB Certified	1
6	600291	Canister Support	1
7	600317	Control Panel	1
8	600318	Tank Support	1
9	600319	Roll-Over Valve Shield	1