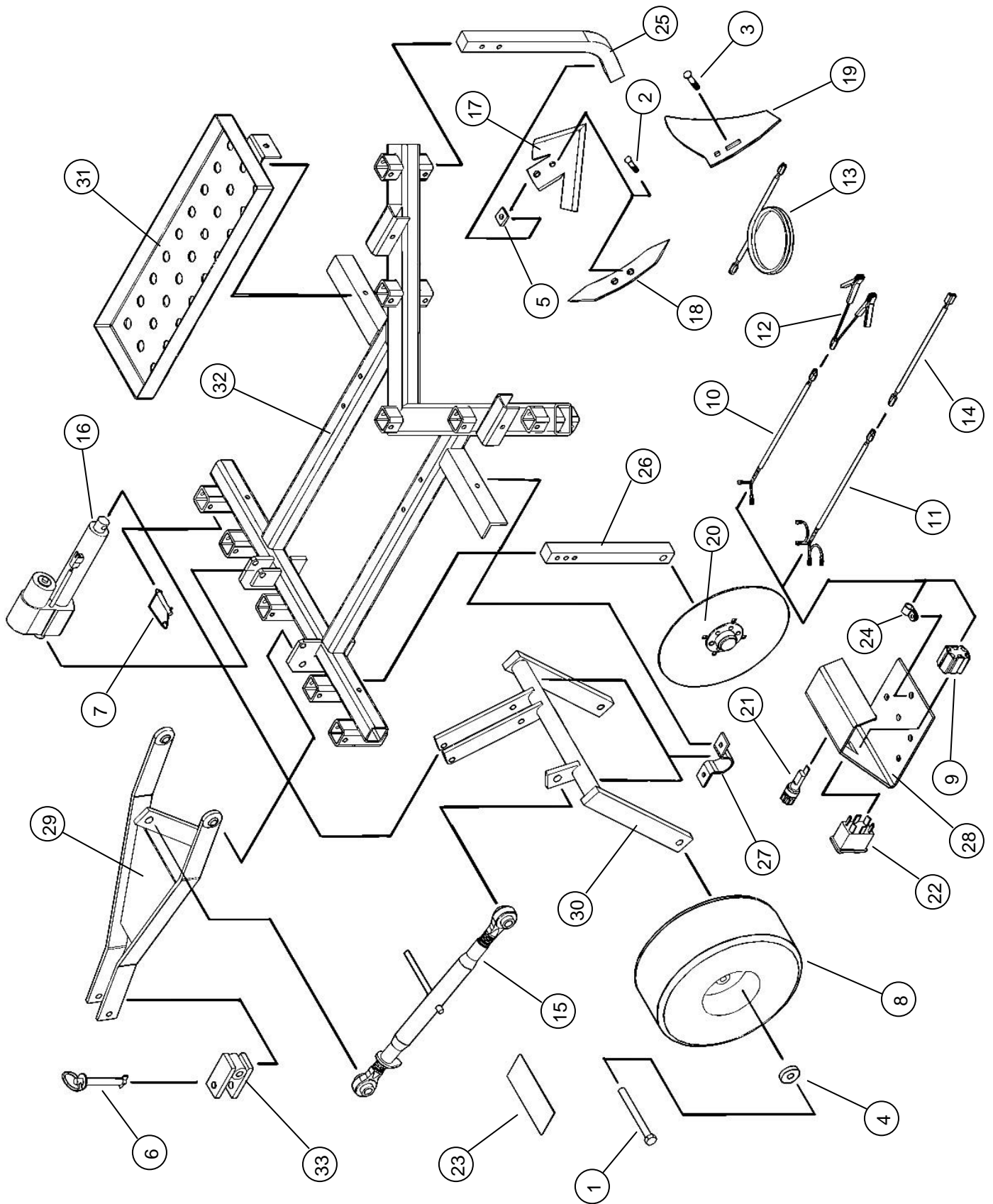


# MODEL 543 & 760

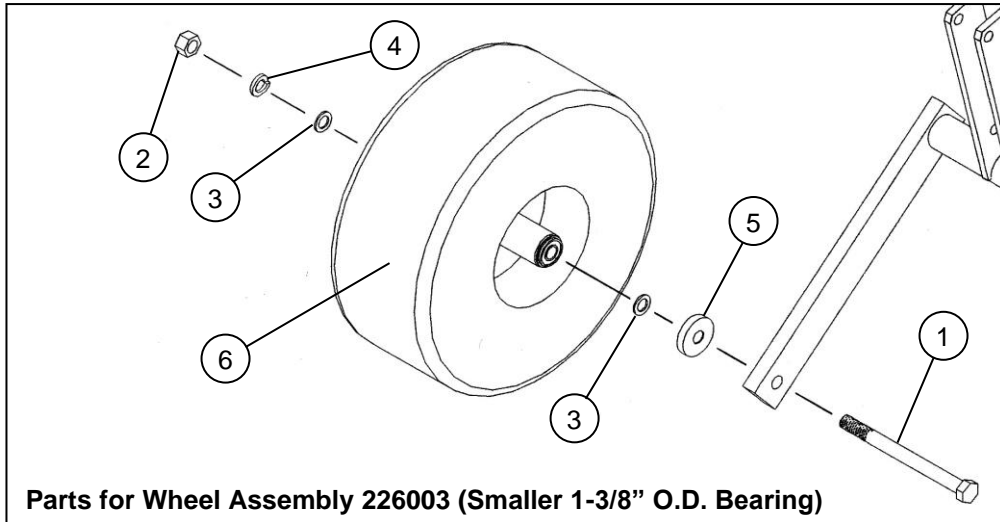
(See drawings below for additional parts)

| <u>Item</u> | <u>Part #</u> | <u>Description</u>   | <u>543 Qty.</u> | <u>760 Qty.</u> |
|-------------|---------------|--|-----------------|-----------------|
| 1           | 202147        | Hex Head Cap Screw (5/8-11 x 6.50)   | 2               | 2               |
| 2           | 204012        | Plow Bolt (3/8"-16 x 2-1/4", 3/8 Sq.)  | 10              | 14              |
| 3           | 204013        | Plow Bolt (7/16"-14 x 2-1/2", 7/16 Sq.)  | 6               | 8               |
| 4           | 214021        | Cup Washer (For Smaller 1-3/8" O.D. Bearing)   | 2               | 0               |
| 4           | 214030        | Cup Washer (For Larger 2" O.D. Bearing)  | 2               | 2               |
| 5           | 214025        | Bevel Washer Spacer  | 5               | 7               |
| 6           | 216012        | Tension Lock Pin (5/8" Dia. x 3-1/2" Long)   | 1               | 1               |
| 7           | 216013        | Wire Lock Pin (3/8" Dia. x 2-1/4" Long)  | 10              | 14              |
| 8           | 226012        | Offset Wheel Assy., Pneumatic Turf Tread 4 Ply (15/600 x 6) <i>(See Wheel Assy. Drawing Below)</i> | ~               | ~               |
| 9           | 235061        | Six Contact Socket Connector   | 1               | 1               |
| 10          | 235063        | Battery Wiring Harness   | 1               | 1               |
| 11          | 235065        | Wiring Harness   | 1               | 1               |
| 12          | 235066        | Battery Clip Harness   | 1               | 1               |
| 13          | 235067        | Extension Cable - Optional on 543, Standard on 760 (Extends Wire Harness 9 Ft.)                    | 1               | 1               |
| 14          | 235070        | Actuator Wiring Harness Assy.  | 1               | 1               |
| 15          | 237001        | Forged Top Link  | 1               | 1               |
| 16          | 237002        | Electric Linear Actuator (8" Stroke)(Bear Linear or Thomson Brand)                                 | 1               | 0               |
| 16          | 237003        | Electric Linear Actuator (8" Stroke)(Linak Brand - 2022 and Newer)                                 | 1               | 1               |
| 17          | 259003        | 9" Field Cultivator Sweep  | 5               | 7               |
| 18          | 259004        | Reversible Chisel Point Sweep  | 5               | 7               |
| 19          | 259005        | Turning Shovel   | 3               | 4               |
|             | 003801        | Turning Shovel Kit (Model 543)   | 1               | 0               |
|             | 003805        | Turning Shovel Kit (Model 760)   | 0               | 1               |
| 20          | 259006        | Coulter Blade, 13.5"   | 5               | 7               |
|             | 243013        | Coulter Bearing (1.781" O.D. x 5/8" I.D.) (Models 2005 - Early 2008)                               | 5               | 0               |
|             | 243014        | Coulter Bearing (2.09" O.D. x 5/8" I.D.) (Models Early 2008 - Current)                             | 5               | 7               |
| 21          | 264006        | Fuse Holder  | 1               | 1               |
|             | 264009        | Fuse (30 Amp)  | 1               | 1               |
| 22          | 264008        | Rocker Switch  | 1               | 1               |
| 23          | 275018        | Till-Ease Name Decal   | 2               | 2               |
| 23          | 275019        | Kunz Decal   | 1               | 1               |
| 23          | 275020        | Lift Control Decal   | 1               | 1               |
| 24          | 277030        | Fixed Diameter Cable Clamp   | 2               | 2               |
| 25          | 500007        | Shank  | 5               | 7               |
| 26          | 500008        | Coulter Shank  | 5               | 7               |
| 27          | 500009        | Axle Clamp   | 2               | 2               |
| 28          | 500010        | Control Panel  | 1               | 1               |
| 29          | 800000        | Tongue   | 1               | 1               |
| 30          | 800001        | Lift Assembly  | 1               | 1               |
| 31          | 800008        | Weight Rack  | 2               | 2               |
| 32          | 800010        | Tool Frame - Model 543 (Call for Pricing)  | ~               | ~               |
| 32          | 800024        | Tool Frame - Model 760 (Call for Pricing)  | ~               | ~               |
| 33          | 800018        | Tongue Clevis  | 1               | 1               |

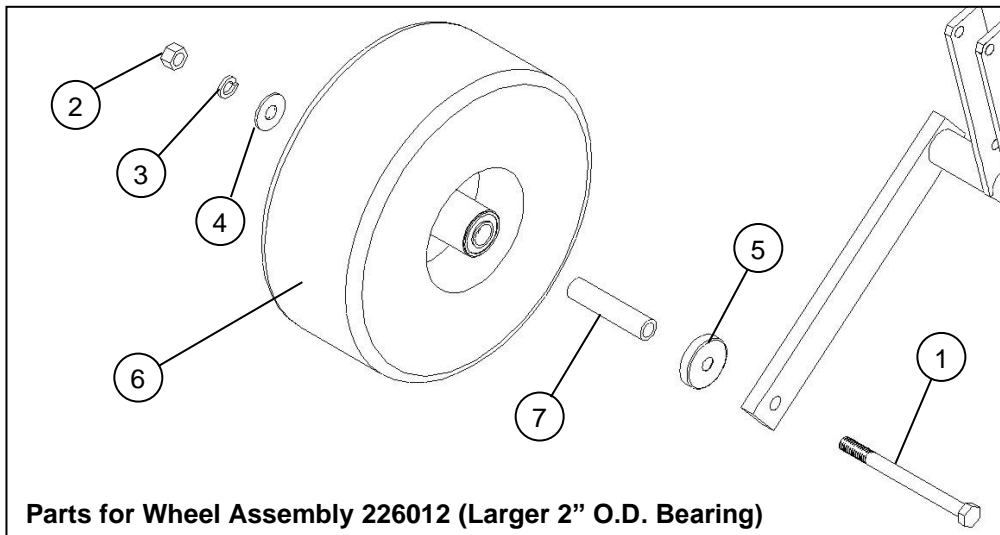
# PARTS DRAWING FOR MODEL 543 & 760



# WHEEL ASSEMBLY AND MOUNTING PARTS

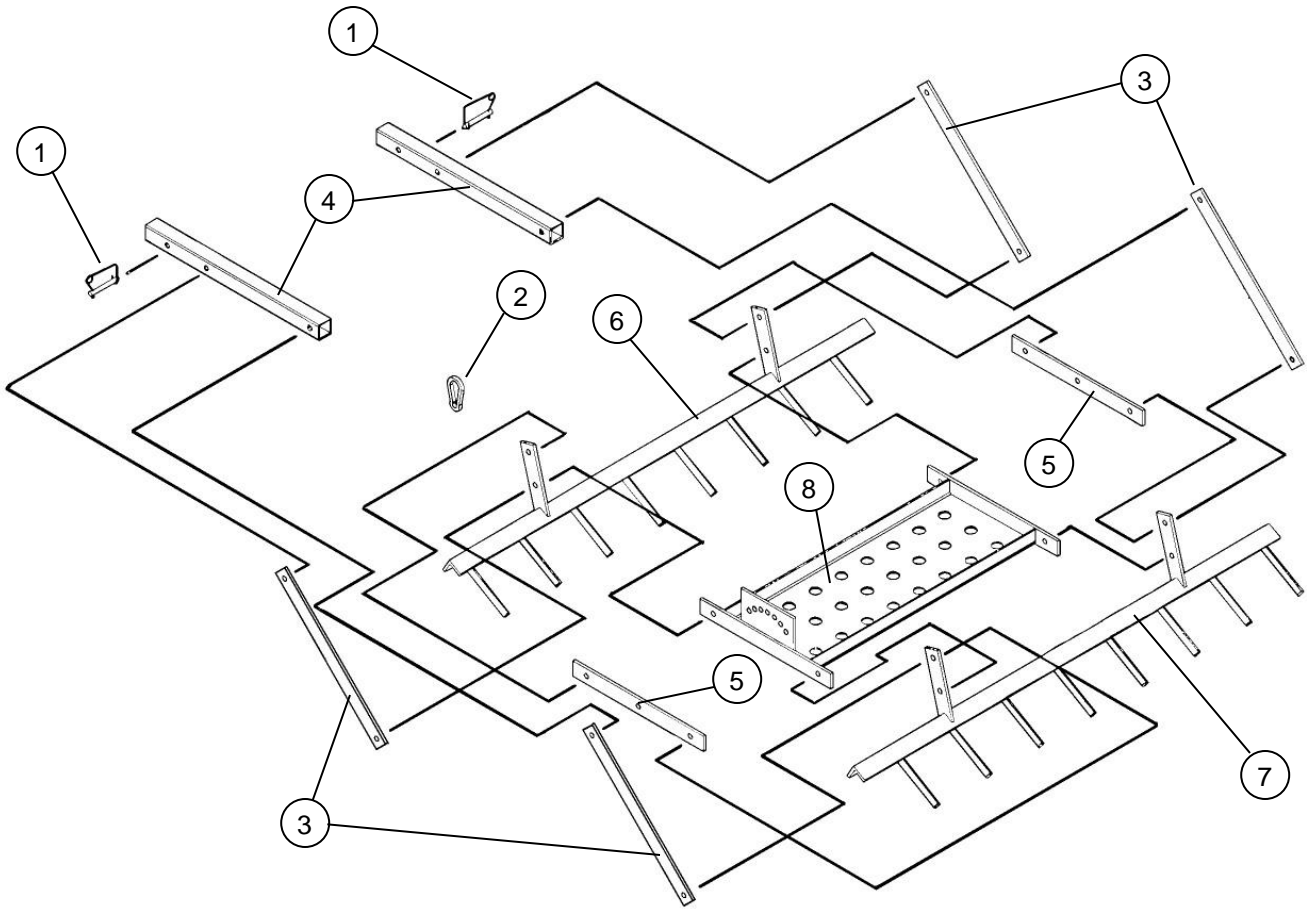


| Item | Part # | Description   | Qty. |
|------|--------|---|------|
| 1    | 202147 | Hex Head Bolt 5/8" x 6.5"   | 2    |
| 2    | 212013 | Hex Nut - 5/8"  | 2    |
| 3    | 214018 | Machinery Washer 5/8" I.D. x 1" O.D.  | 4    |
| 4    | 214020 | Lock Washer - 5/8"  | 2    |
| 5    | 214021 | Cup Washer  | 2    |
| 6    | 226003 | Offset Wheel Assy. (15/600 x 6, 4 Ply Turf) (Replace with 226012 - See Below) | ~    |
|      | 226006 | Tire - Replacement (15/600 x 6, 4 Ply Turf)                                   | 2    |
|      | 243007 | Precision Sealed Wheel Bearings (1-3/8" O.D. x 5/8" I.D.)                     | 4    |
|      | 600301 | Wheel Bearing Spacer  | 2    |



| Item | Part # | Description  | Qty. |
|------|--------|--|------|
| 1    | 202147 | Hex Head Bolt 5/8" x 6.5"  | 2    |
| 2    | 212013 | Hex Nut - 5/8"   | 2    |
| 3    | 214020 | Lock Washer - 5/8"   | 2    |
| 4    | 214029 | Standard Flat Washer - 5/8"  | 2    |
| 5    | 214030 | Cup Washer   | 2    |
| 6    | 226012 | Offset Wheel Assy. (15/600 x 6, 4 Ply Turf) (Includes Tire, Rim, Bearing & Spanner Tube) | 2    |
|      | 226006 | Tire - Replacement (15/600 x 6, 4 Ply Turf)  | 2    |
|      | 243015 | Precision Sealed Wheel Bearings (2" O.D. x 1" I.D.)                                      | 4    |
| 7    | 600308 | Spanner Tube   | 2    |

# PARTS FOR OPTIONAL DRAG HARROW (PART # 003800 & 003804)



| <u>Item</u> | <u>Part #</u> | <u>Description</u>               | <u>Model 543</u><br><u>003800 Qty.</u> | <u>Model 760</u><br><u>003804 Qty.</u> |
|-------------|---------------|----------------------------------|--|--|
| 1           | 216013        | Wire Lock Pin                    | 2                                      | 2                                      |
| 2           | 222011        | Safety Snap Hook                 | 2                                      | 2                                      |
| 3           | 500025        | Tow Link                         | 4                                      | 4                                      |
| 4           | 500026        | Support Tube (Model 543)         | 2                                      | 0                                      |
| 4           | 500066        | Support Tube (Model 760)         | 0                                      | 2                                      |
| 5           | 500027        | Upper Link Flat                  | 2                                      | 2                                      |
| 6           | 800004        | Front Harrow Section (Model 543) | 1                                      | 0                                      |
| 6           | 800025        | Front Harrow Section (Model 760) | 0                                      | 1                                      |
| 7           | 800005        | Rear Harrow Section (Model 543)  | 1                                      | 0                                      |
| 7           | 800026        | Rear Harrow Section (Model 760)  | 0                                      | 1                                      |
| 8           | 800009        | Harrow Frame                     | 1                                      | 1                                      |